

This is a preview - [click here to buy the full publication](#)



IECQ CS 038000-CN0005

Edition 1.0 2017-09

IECQ COMPONENT SPECIFICATION

IEC Quality Assessment System for Electronic Components (IECQ System)

Packaged LED – Type 1010 Standard Display Component

INTERNATIONAL
ELECTROTECHNICAL
COMMISSION

FOREWORD

The IEC Quality Assessment System for Electronic Components (IECQ) is composed of those member countries of the International Electrotechnical Commission (IEC) who wish to take part in a harmonized system for electronic components of assessment quality. IECQ is also formally known in some European member countries as IECQ-CECC.

The object of the System is to facilitate international trade via business-to-business supply chain management tools and the harmonization of the specifications and quality assessment procedures for electronic components, assemblies and related materials and processes, and by the grant of an international recognized Certification of Conformity and the optional use of an IECQ Mark of Conformity. The components produced or services provided under the System are therefore accepted in all member countries without further testing.

This Component Specification is based upon the requirements of IECQ 03 Series of Rules of Procedure by:

FOSHAN NATIONSTAR OPTOELECTRONICS Co., Ltd.

No.18 South Huabao Road, ChanCheng District,

Foshan 528 000

China

Email: lianglifang@nationstar.com

and published under the authority of:

CEPREI

110 Dongguan Zhuang Road,

GUANGZHOU 510 610

China

AMENDMENT RECORD

No previous editions.

REQUIREMENTS

The following data sheet satisfies the requirements of IECQ Component Specifications as detailed in IECQ 03 Series of Rules of Procedure.

It should be note that IECQ is not responsible for manufactures declaration made in data sheets that fall outside the limits of Certificates of Conformity.



Component Specification available from:

- Publicly available Specifications**
 - IECQ Certification Body under whose authority the Component Specification (CS) is published
 - IEC Webstore
 - IECQ Website
www.iecq.org/publications/specifications/
- Proprietary Specifications**
 - IECQ Certification Body under whose authority the Component Specification (CS) is published
 - Other: ...

Component Specification number:

IECQ-CS 038000-CN0005
for use within the IECQ scheme for LED lighting (IECQ LED)

Edition: 1.0

Product description:

Packaged LED, Type 1010 Standard Display component.

Electronic Components of Assessed Quality Component Specification in according with:

IEC/PAS 62717, IEC/TR 61341, IEC 60300-3-5, IEC 60605-2, IEC 60068-2-14, IEC 60068-2-38, CIE 127.

Applicant:



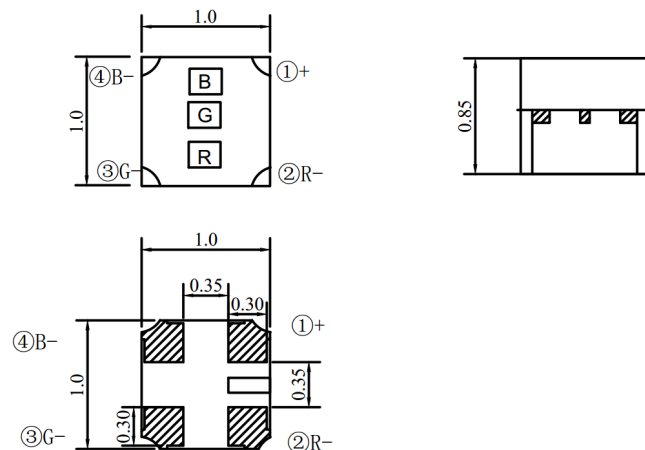
FOSHAN NATIONSTAR OPTOELECTRONICS Co., Ltd.

No.18 South Huabao Road,
ChanCheng District Foshan,
Guangdong, 528000, P.R. China

Tel: +86(0757)82100238
Fax: +86(0757)82100200

Contact: Liang Lifang
Email: lianglifang@nationstar.com

Outline drawing and install information:



IECQ Certification Body:



CEPREI

110 Dongguan Zhuang Road,
GUANGZHOU 510 610
China

Technical Specification of Type 1010 Standard Display Component (Packaged LED)

Section one – General information

1.1 Scope

This specification applies to type 1010 standard display component for modulator tube Layer 1. Its appearance is shown in Figure 1.



Figure 1 Appearance of type 1010 standard display component

1.2 Normative references

The following referenced documents are indispensable for the application of this document. For dated references, all its later revised notes or revised editions shall not apply to this specification. However, related parties that have reached an agreement according to this specification are encouraged to decide whether to the latest edition of such documents. For undated references, the latest edition of the referenced document applies.

IEC/PAS 62717 *LED modules for general lighting - Performance requirements*

IEC/TR 61341 *Method of measurement of centre beam intensity and beam angle(s) of reflector lamps*

IEC 60300-3-5 *Dependability management Part 3-5: Application guide - Reliability test conditions and statistical test principles*

IEC 60605-2 *Equipment reliability testing - Part 2: Design of test cycles*

IEC 60068-2-14 *Environmental testing - Part 2-14: Tests - Test N: Change of temperature*

IEC 60068-2-38 *Environmental testing - Part 2-38: Tests - Test Z/AD: Composite temperature/humidity cyclic test*

CIE 127 *Measurement of LEDs*