



INTERNATIONAL STANDARD

NORME INTERNATIONALE



**Communication networks and systems for power utility automation –
Part 7-420: Basic communication structure – Distributed energy resources
logical nodes**

**Réseaux et systèmes de communication pour l'automatisation des systèmes
électriques –
Partie 7-420: Structure de communication de base – Nœuds logiques de
ressources énergétiques distribuées**

INTERNATIONAL
ELECTROTECHNICAL
COMMISSION

COMMISSION
ELECTROTECHNIQUE
INTERNATIONALE

ICS 33.200

ISBN 978-2-8322-7398-2

**Warning! Make sure that you obtained this publication from an authorized distributor.
Attention! Veuillez vous assurer que vous avez obtenu cette publication via un distributeur agréé.**

CONTENTS

CONTENTS	2
FOREWORD	7
INTRODUCTION	9
1 Scope	12
2 Normative references	12
3 Terms, definitions and abbreviations	13
3.1 Terms and definitions	13
3.2 DER abbreviated terms	18
4 Conformance	20
5 Logical nodes for DER management systems	20
5.1 Overview of information modelling (informative)	20
5.1.1 Data information modelling constructs	20
5.1.2 Logical devices concepts	21
5.1.3 Logical nodes structure	22
5.1.4 Naming structure	22
5.1.5 Interpretation of logical node tables	23
5.1.6 System logical nodes LN Group: L (informative)	24
5.1.7 Overview of DER management system LNs	27
5.2 Logical nodes for the DER plant ECP logical device	29
5.2.1 DER plant electrical connection point (ECP) logical device (informative)	29
5.2.2 LN: DER plant corporate characteristics at the ECP Name: DCRP	31
5.2.3 LN: Operational characteristics at ECP Name: DOPR	31
5.2.4 LN: DER operational authority at the ECP Name: DOPA	32
5.2.5 LN: Operating mode at ECP Name: DOPM	33
5.2.6 LN: Status information at the ECP Name: DPST	34
5.2.7 LN: DER economic dispatch parameters Name: DCCT	35
5.2.8 LN: DER energy and/or ancillary services schedule control Name: DSCC	36
5.2.9 LN: DER energy and/or ancillary services schedule Name: DSCH	37
5.3 Logical nodes for the DER unit controller logical device	38
5.3.1 DER device controller logical device (informative)	38
5.3.2 LN: DER controller characteristics Name: DRCT	38
5.3.3 LN: DER controller status Name: DRCS	39
5.3.4 LN: DER supervisory control Name: DRCC	40
6 Logical nodes for DER generation systems	42
6.1 Logical nodes for DER generation logical device	42
6.1.1 DER generator logical device (informative)	42
6.1.2 LN: DER unit generator Name: DGEN	42
6.1.3 LN: DER generator ratings Name: DRAT	44
6.1.4 LN: DER advanced generator ratings Name: DRAZ	45
6.1.5 LN: Generator cost Name: DCST	46
6.2 Logical nodes for DER excitation logical device	47
6.2.1 DER excitation logical device (informative)	47
6.2.2 LN: Excitation ratings Name: DREX	47
6.2.3 LN: Excitation Name: DEXC	48

6.3	Logical nodes for DER speed/frequency controller	49
6.3.1	Speed/frequency logical device (informative).....	49
6.3.2	LN: Speed/Frequency controller Name: DSFC	49
6.4	Logical nodes for DER inverter/converter logical device	50
6.4.1	Inverter/converter logical device (informative).....	50
6.4.2	LN: Rectifier Name: ZRCT	51
6.4.3	LN: Inverter Name: ZINV	53
7	Logical nodes for specific types of DER.....	55
7.1	Logical nodes for reciprocating engine logical device	55
7.1.1	Reciprocating engine description (informative)	55
7.1.2	Reciprocating engine logical device (informative)	55
7.1.3	LN: Reciprocating engine Name: DCIP	56
7.2	Logical nodes for fuel cell logical device.....	57
7.2.1	Fuel cell description (informative)	57
7.2.2	Fuel cell logical device (informative)	59
7.2.3	LN: Fuel cell controller Name: DFCL.....	60
7.2.4	LN: Fuel cell stack Name: DSTK.....	61
7.2.5	LN: Fuel processing module Name: DFPM.....	62
7.3	Logical nodes for photovoltaic system (PV) logical device	63
7.3.1	Photovoltaic system description (informative)	63
7.3.2	Photovoltaics system logical device (informative)	65
7.3.3	LN: Photovoltaics module ratings Name: DPVM.....	67
7.3.4	LN: Photovoltaics array characteristics Name: DPVA.....	68
7.3.5	LN: Photovoltaics array controller Name: DPVC	69
7.3.6	LN: Tracking controller Name: DTTC.....	70
7.4	Logical nodes for combined heat and power (CHP) logical device	72
7.4.1	Combined heat and power description (informative).....	72
7.4.2	Combined heat and power logical device (informative)	75
7.4.3	LN: CHP system controller Name: DCHC.....	76
7.4.4	LN: Thermal storage Name: DCTS	77
7.4.5	LN: Boiler Name: DCHB	78
8	Logical nodes for auxiliary systems	78
8.1	Logical nodes for fuel system logical device	78
8.1.1	Fuel system logical device (informative)	78
8.1.2	LN: Fuel characteristics Name: MFUL.....	80
8.1.3	LN: Fuel delivery system Name: DFLV.....	80
8.2	Logical nodes for battery system logical device	81
8.2.1	Battery system logical device (informative)	81
8.2.2	LN: Battery systems Name: ZBAT.....	82
8.2.3	LN: Battery charger Name: ZBTC	83
8.3	Logical node for fuse device.....	84
8.3.1	Fuse logical device (informative)	84
8.3.2	LN: Fuse Name: XFUS	84
8.4	Logical node for sequencer	85
8.4.1	Sequencer logical device.....	85
8.4.2	LN: Sequencer Name: FSEQ	85
8.5	Logical nodes for physical measurements	86
8.5.1	Physical measurements (informative)	86

8.5.2	LN: Temperature measurements Name: STMP	86
8.5.3	LN: Pressure measurements Name: MPRS	87
8.5.4	LN: Heat measured values Name: MHET	87
8.5.5	LN: Flow measurements Name: MFLW	88
8.5.6	LN: Vibration conditions Name: SVBR	89
8.5.7	LN: Emissions measurements Name: MENV	90
8.5.8	LN: Meteorological conditions Name: MMET	91
8.6	Logical nodes for metering	91
8.6.1	Electric metering (informative)	91
9	DER common data classes (CDC)	91
9.1	Array CDCs	91
9.1.1	E-Array (ERY) enumerated common data class specification	91
9.1.2	V-Array (VRY) visible string common data class specification	92
9.2	Schedule common data classes	93
9.2.1	Absolute time schedule (SCA) settings common data class specification	93
9.2.2	Relative time schedule (SCR) settings common data class specification	93
	Annex A (informative) Glossary	95
	Bibliography	97
	Figure 1 – Example of a communications configuration for a DER plant	10
	Figure 2 – IEC 61850 modelling and connections with CIM and other IEC TC 57 models	11
	Figure 3 – Information model hierarchy	21
	Figure 4 – Example of relationship of logical device, logical nodes, data objects, and common data classes	22
	Figure 5 – Overview: Conceptual organization of DER logical devices and logical nodes	28
	Figure 6 – Illustration of electrical connection points (ECP) in a DER plant	29
	Figure 7 – Inverter / converter configuration	50
	Figure 8 – Example of a reciprocating engine system (e.g. Diesel Gen-Set)	55
	Figure 9 – Example of LNs in a reciprocating engine system	56
	Figure 10 – Fuel cell – Hydrogen/oxygen proton-exchange membrane fuel cell (PEM)	58
	Figure 11 – PEM fuel cell operation	58
	Figure 12 – Example of LNs used in a fuel cell system	59
	Figure 13 – Example: One line diagram of an interconnected PV system	64
	Figure 14 – Schematic diagram of a large PV installation with two arrays of several sub-arrays	65
	Figure 15 – Example of LNs associated with a photovoltaics system	66
	Figure 16a – CHP based on fuel cells	73
	Figure 16b – CHP based on internal combustion units	73
	Figure 16 – Two examples of CHP configurations	73
	Figure 17 – CHP unit includes both domestic hot water and heating loops	74
	Figure 18 – CHP unit includes domestic hot water with hybrid storage	74
	Figure 19 – CHP unit includes domestic hot water without hybrid storage	74

Figure 20 – Example of LNs associated with a combined heat and power (CHP) system..... 75

Table 1 – Interpretation of logical node tables.....	23
Table 2 – LPHD class	25
Table 3 – Common LN class	26
Table 4 – LLN0 class	27
Table 5 – DER plant corporate characteristics at the ECP, LN (DCRP)	31
Table 6 – Operational characteristics at the ECP, LN (DOPR)	32
Table 7 – DER operational authority at the ECP, LN (DOPA)	33
Table 8 – Operating mode at the ECP, LN (DOPM).....	34
Table 9 – Status at the ECP, LN (DPST).....	35
Table 10 – DER Economic dispatch parameters, LN (DCCT)	35
Table 11 – DER energy schedule control, LN (DSCC).....	36
Table 12 – DER Energy and ancillary services schedule, LN (DSCH)	37
Table 13 – DER controller characteristics, LN DRCT	38
Table 14 – DER controller status, LN DRCS	39
Table 15 – DER supervisory control, LN DRCC	40
Table 16 – DER unit generator, LN (DCEN).....	42
Table 17 – DER Basic Generator ratings, LN (DRAT).....	44
Table 18 – DER advanced generator ratings, LN (DRAZ).....	46
Table 19 – Generator cost, LN DCST.....	47
Table 20 – Excitation ratings, LN (DREX)	47
Table 21 – Excitation, LN (DEXC).....	48
Table 22 – Speed/frequency controller, LN (DSFC).....	49
Table 23 – Rectifier, LN (ZRCT).....	51
Table 24 – Inverter, LN (ZINV).....	53
Table 25 – Reciprocating engine, LN (DCIP).....	57
Table 26 – Fuel cell controller, LN (DFCL)	60
Table 27 – Fuel cell stack, LN (DSTK)	61
Table 28 – Fuel cell processing module, LN (DFPM).....	62
Table 29 – Photovoltaic module characteristics, LN (DPVM)	67
Table 30 – Photovoltaic array characteristics, LN (DPVA).....	68
Table 31 – Photovoltaic array controller, LN (DPVC).....	69
Table 32 – Tracking controller, LN (DTRC)	70
Table 33 – CHP system controller, LN (DCHC)	76
Table 34 – CHP thermal storage, LN (DCTS).....	77
Table 35 – CHP Boiler System, LN (DCHB)	78
Table 36 – Fuel types	79
Table 37 – Fuel characteristics, LN (MFUL)	80
Table 38 – Fuel systems, LN (DFLV)	81
Table 39 – Battery systems, LN (ZBAT)	82
Table 40 – Battery charger, LN (ZBTC).....	83

Table 41 – Fuse, LN (XFUS).....	84
Table 42 – Sequencer, LN (FSEQ).....	85
Table 43 – Temperature measurements, LN (STMP).....	86
Table 44 – Pressure measurements, LN (MPRS)	87
Table 45 – Heat measurement, LN (MHET).....	88
Table 46 – Flow measurement, LN (MFLW)	88
Table 47 – Vibration conditions, LN (SVBR).....	90
Table 48 – Emissions measurements, LN (MENV)	90
Table 49 – E-Array (ERY) common data class specification	92
Table 50 – V-Array (VRY) common data class specification	92
Table 51 – Schedule (SCA) common data class specification	93
Table 52 – Schedule (SCR) common data class specification	94

Withdrawal

INTERNATIONAL ELECTROTECHNICAL COMMISSION

**COMMUNICATION NETWORKS AND
SYSTEMS FOR POWER UTILITY AUTOMATION –**

**Part 7-420: Basic communication structure –
Distributed energy resources logical nodes**

FOREWORD

- 1) The International Electrotechnical Commission (IEC) is a worldwide organization for standardization comprising all national electrotechnical committees (IEC National Committees). The object of IEC is to promote international co-operation on all questions concerning standardization in the electrical and electronic fields. To this end and in addition to other activities, IEC publishes International Standards, Technical Specifications, Technical Reports, Publicly Available Specifications (PAS) and Guides (hereafter referred to as "IEC Publication(s)"). Their preparation is entrusted to technical committees; any IEC National Committee interested in the subject dealt with may participate in this preparatory work. International, governmental and non-governmental organizations liaising with the IEC also participate in this preparation. IEC collaborates closely with the International Organization for Standardization (ISO) in accordance with conditions determined by agreement between the two organizations.
- 2) The formal decisions or agreements of IEC on technical matters express, as nearly as possible, an international consensus of opinion on the relevant subjects since each technical committee has representation from all interested IEC National Committees.
- 3) IEC Publications have the form of recommendations for international use and are accepted by IEC National Committees in that sense. While all reasonable efforts are made to ensure that the technical content of IEC Publications is accurate, IEC cannot be held responsible for the way in which they are used or for any misinterpretation by any end user.
- 4) In order to promote international uniformity, IEC National Committees undertake to apply IEC Publications transparently to the maximum extent possible in their national and regional publications. Any divergence between any IEC Publication and the corresponding national or regional publication shall be clearly indicated in the latter.
- 5) IEC provides no marking procedure to indicate its approval and cannot be rendered responsible for any equipment declared to be in conformity with an IEC Publication.
- 6) All users should ensure that they have the latest edition of this publication.
- 7) No liability shall attach to IEC or its directors, employees, servants or agents including individual experts and members of its technical committees and IEC National Committees for any personal injury, property damage or other damage of any nature whatsoever, whether direct or indirect, or for costs (including legal fees) and expenses arising out of the publication, use of, or reliance upon, this IEC Publication or any other IEC Publications.
- 8) Attention is drawn to the Normative references cited in this publication. Use of the referenced publications is indispensable for the correct application of this publication.
- 9) Attention is drawn to the possibility that some of the elements of this IEC Publication may be the subject of patent rights. IEC shall not be held responsible for identifying any or all such patent rights.

International Standard IEC 61850-7-420 has been prepared by IEC technical committee 57: Power systems management and associated information exchange.

This bilingual version (2019-09) corresponds to the monolingual English version, published in 2009-03.

The text of this standard is based on the following documents:

FDIS	Report on voting
57/981/FDIS	57/988/RVD

Full information on the voting for the approval of this standard can be found in the report on voting indicated in the above table.

The French version of this standard has not been voted upon.

This publication has been drafted in accordance with the ISO/IEC Directives, Part 2.

In Clauses 5 to 8 of this document, each subclause contains an initial informative clause, followed by normative clauses. Specifically, any subclause identified as informative is informative; any clause with no identification is considered normative.

A list of all parts of the IEC 61850 series, under the general title: *Communication networks and systems for power utility automation*, can be found on the IEC website.

The committee has decided that the contents of this publication will remain unchanged until the maintenance result date indicated on the IEC web site under "<http://webstore.iec.ch>" in the data related to the specific publication. At this date, the publication will be

- reconfirmed,
- withdrawn,
- replaced by a revised edition, or
- amended.

IMPORTANT – The 'colour inside' logo on the cover page of this publication indicates that it contains colours which are considered to be useful for the correct understanding of its contents. Users should therefore print this document using a colour printer.

Withhold

INTRODUCTION

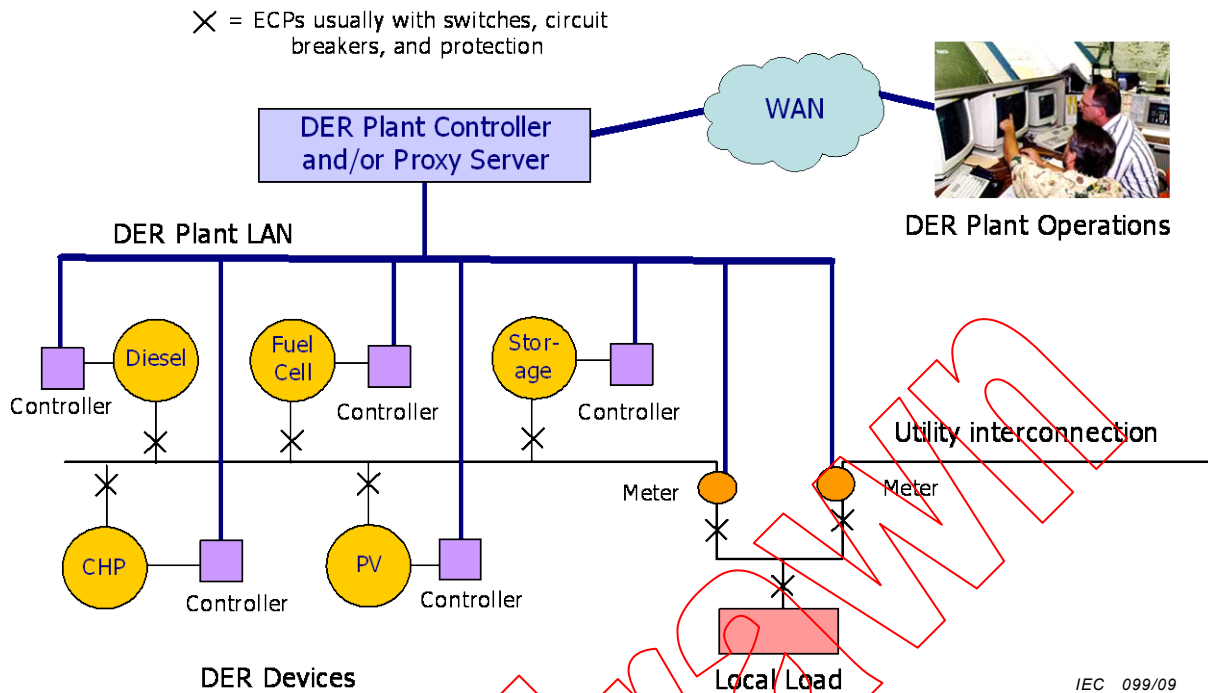
Increasing numbers of DER (distributed energy resources) systems are being interconnected to electric power systems throughout the world. As DER technology evolves and as the impact of dispersed generation on distribution power systems becomes a growing challenge - and opportunity, nations worldwide are recognizing the economic, social, and environmental benefits of integrating DER technology within their electric infrastructure.

The manufacturers of DER devices are facing the age-old issues of what communication standards and protocols to provide to their customers for monitoring and controlling DER devices, in particular when they are interconnected with the electric utility system. In the past, DER manufacturers developed their own proprietary communication technology. However, as utilities, aggregators, and other energy service providers start to manage DER devices which are interconnected with the utility power system, they are finding that coping with these different communication technologies present major technical difficulties, implementation costs, and maintenance costs. Therefore, utilities and DER manufacturers recognize the growing need to have one international standard that defines the communication and control interfaces for all DER devices. Such standards, along with associated guidelines and uniform procedures would simplify implementation, reduce installation costs, reduce maintenance costs, and improve reliability of power system operations.

The logical nodes in this document are intended for use with DER, but may also be applicable to central-station generation installations that are comprised of groupings of multiple units of the same types of energy conversion systems that are represented by the DER logical nodes in this document. This applicability to central-station generation is strongest for photovoltaics and fuel cells, due to their modular nature.

Communications for DER plants involve not only local communications between DER units and the plant management system, but also between the DER plant and the operators or aggregators who manage the DER plant as a virtual source of energy and/or ancillary services. This is illustrated in Figure 1.

Example of a Communications Configuration for a DER Plant



Key

- CHP combined heat and power
- WAN wide area network
- DER distributed energy resources
- PV photovoltaics
- LAN local area network

Figure 1 – Example of a communications configuration for a DER plant

In basic terms, “communications” can be separated into four parts:

- information modelling (the types of data to be exchanged – nouns),
- services modelling (the read, write, or other actions to take on the data – verbs),
- communication protocols (mapping the noun and verb models to actual bits and bytes),
- telecommunication media (fibre optics, radio systems, wireless systems, and other physical equipment).

This document addresses only the IEC 61850 information modelling for DER. Other IEC 61850 documents address the services modelling (IEC 61850-7-2) and the mapping to communication protocols (IEC 61850-8-x). In addition, a systems configuration language (SCL) for DER (IEC 61850-6-x) would address the configuration of DER plants.

The general technology for information modelling has developed to become well-established as the most effective method for managing information exchanges. In particular, the IEC 61850-7-x information models for the exchange of information within substations have become International Standard. Many of the components of this standard can be reused for information models of other types of devices.

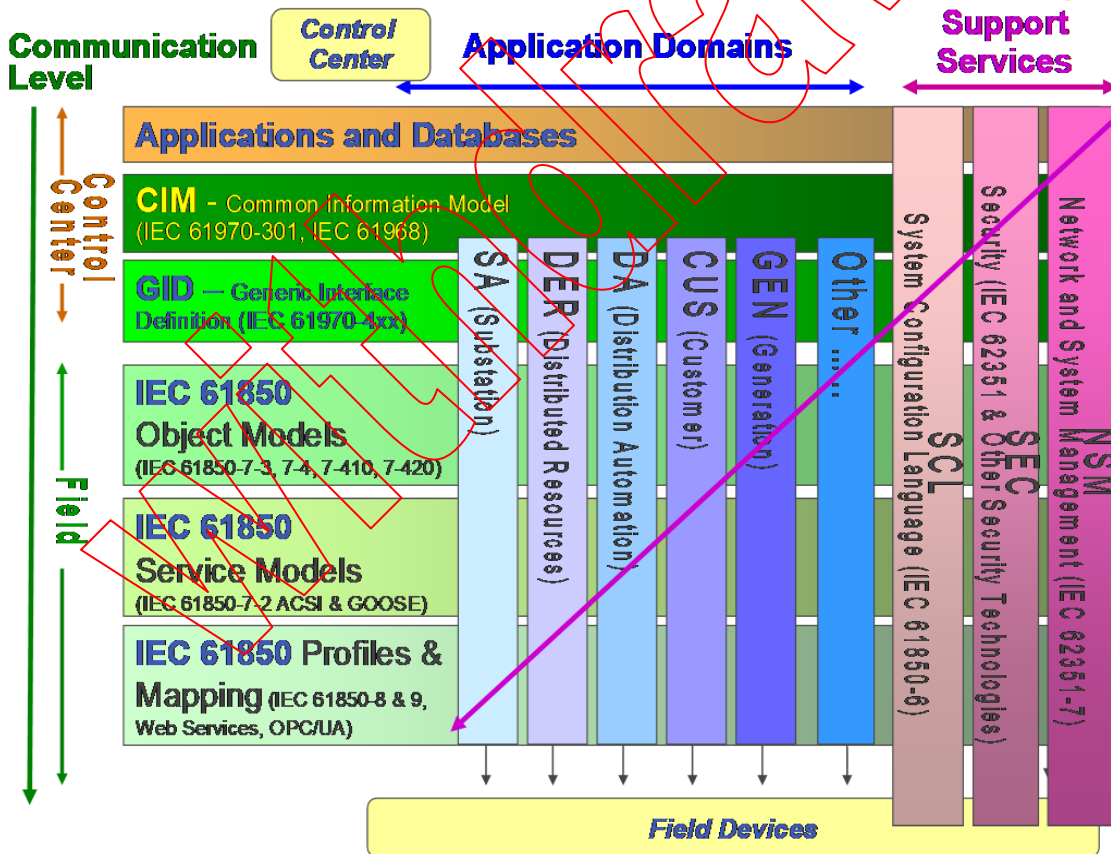
In addition to the IEC 61850 standards, IEC TC 57 has developed the common information model (CIM) that models the relationships among power system elements and other

information elements so that these relationships can be communicated across systems. Although this standard does not address these CIM relationships for DER, it is fully compatible with the CIM concepts.

The interrelationship between IEC TC 57 modelling standards is illustrated in Figure 2. This illustration shows as horizontal layers the three components to an information exchange model for retrieving data from the field, namely, the communication protocol profiles, the service models, and the information models. Above these layers is the information model of utility-specific data, termed the common information model (CIM), as well as all the applications and databases needed in utility operations. Vertically, different information models are shown:

- substation automation (IEC 61850-7-4),
- large hydro plants (IEC 61850-7-410),
- distributed energy resources (DER) (IEC 61850-7-420),
- distribution automation (under development),
- advanced metering infrastructure (as pertinent to utility operations) (pending).

IEC 61850 Models and the Common Information Model (CIM)



IEC 100/09

Figure 2 – IEC 61850 modelling and connections with CIM and other IEC TC 57 models

COMMUNICATION NETWORKS AND SYSTEMS FOR POWER UTILITY AUTOMATION –

Part 7-420: Basic communication structure – Distributed energy resources logical nodes

1 Scope

This International Standard defines the IEC 61850 information models to be used in the exchange of information with distributed energy resources (DER), which comprise dispersed generation devices and dispersed storage devices, including reciprocating engines, fuel cells, microturbines, photovoltaics, combined heat and power, and energy storage.

The IEC 61850 DER information model standard utilizes existing IEC 61850-7-4 logical nodes where possible, but also defines DER-specific logical nodes where needed.

2 Normative references

The following referenced documents are indispensable for the application of this document. For dated references, only the edition cited applies. For undated references, the latest edition of the referenced document (including any amendments) applies.

IEC 61850-7-2:2003, *Communication networks and systems in substations – Part 7-2: Basic communication structure for substations and feeder equipment – Abstract communication service interface (ACSI)* ¹⁾

IEC 61850-7-3:2003, *Communication networks and systems in substations – Part 7-3: Basic communication structure for substations and feeder equipment – Common data classes* ¹⁾

IEC 61850-7-4:2003, *Communication networks and systems in substations – Part 7-4: Basic communication structure for substations and feeder equipment – Compatible logical node classes and data classes* ¹⁾

IEC 61850-7-410, *Communication networks and systems for power utility automation – Part 7-410: Hydroelectric power plants – Communication for monitoring and control*

ISO 4217, *Codes for the representation of currencies and funds*

¹⁾ A new edition of this document is in preparation.

SOMMAIRE

AVANT-PROPOS.....	105
INTRODUCTION.....	107
1 Domaine d'application	112
2 Références normatives.....	112
3 Termes, définitions et abréviations	113
3.1 Termes et définitions	113
3.2 Termes abrégés DER.....	119
4 Conformité.....	121
5 Nœuds logiques pour les systèmes de gestion DER	121
5.1 Vue d'ensemble de la modélisation d'information (informatif).....	121
5.1.1 Constructions de la modélisation d'information de données.....	121
5.1.2 Concepts de dispositifs logiques.....	122
5.1.3 Structure de nœuds logiques.....	123
5.1.4 Structure d'appellation.....	123
5.1.5 Interprétation des tableaux de nœuds logiques.....	124
5.1.6 Groupe de nœuds logiques LN du système: L (informatif).....	126
5.1.7 Vue d'ensemble des LN du système de gestion des DER	129
5.2 Nœuds logiques pour le dispositif logique de l'ECP de la centrale DER	133
5.2.1 Dispositif logique de l'ECP de la centrale DER (informatif)	133
5.2.2 LN: Caractéristiques corporatives de la centrale DER à l'ECP Nom: DCRP	135
5.2.3 LN: Caractéristiques de fonctionnement à l'ECP Nom: DOPR.....	135
5.2.4 LN: Autorité exploitante DER à l'ECP Nom: DOPA.....	137
5.2.5 LN: Mode de fonctionnement à l'ECP Nom: DOPM	137
5.2.6 LN: Informations de statut à l'ECP Nom: DPST.....	138
5.2.7 LN: Paramètres économiques d'acheminement DER Nom: DCCT.....	139
5.2.8 LN: Contrôle du programme d'énergie DER et/ou de services auxiliaires Nom: DSCC.....	140
5.2.9 LN: Programme d'énergie DER et/ou de services auxiliaires Nom: DSCH.....	141
5.3 Nœuds logiques pour le dispositif logique du contrôleur de l'unité DER	142
5.3.1 Dispositif logique du contrôleur du dispositif DER (informatif).....	142
5.3.2 LN: Caractéristiques de contrôle des DER Nom: DRCT	143
5.3.3 LN: Statut du contrôleur DER Nom: DRCS.....	143
5.3.4 LN: Contrôle de surveillance DER Nom: DRCC.....	145
6 Nœuds logiques pour les systèmes de génération DER.....	147
6.1 Nœuds logiques pour dispositif logique de génération DER	147
6.1.1 Dispositif logique de générateur DER (informatif)	147
6.1.2 LN: Générateur d'unité DER Nom: DGEN	147
6.1.3 LN: Caractéristiques assignées du générateur DER Nom: DRAT	149
6.1.4 LN: Caractéristiques assignées du générateur avancé DER Nom: DRAZ:	151
6.1.5 LN: Coût du générateur Nom: DCST.....	152
6.2 Nœuds logiques pour dispositif logique d'excitation DER.....	153
6.2.1 Dispositif logique d'excitation DER (informatif)	153
6.2.2 LN: Caractéristiques assignées d'excitation Nom: DREX.....	153
6.2.3 LN: Excitation Nom: DEXC	154

6.3	Nœuds logiques du contrôleur de fréquence/vitesse DER	156
6.3.1	Dispositif logique de fréquence/vitesse (informatif)	156
6.3.2	LN: Contrôleur de vitesse/fréquence Nom: DSFC	156
6.4	Nœuds logiques pour le dispositif logique onduleur/convertisseur DER.....	157
6.4.1	Dispositif logique onduleur/convertisseur (informatif)	157
6.4.2	LN: Redresseur Nom: ZRCT	157
6.4.3	LN: Onduleur Nom: ZINV	159
7	Nœuds logiques pour des types spécifiques de DER	162
7.1	Nœuds logiques pour dispositif logique de moteur à mouvement alternatif.....	162
7.1.1	Description du moteur à mouvement alternatif (informatif)	162
7.1.2	Dispositif logique d'un moteur à mouvement alternatif (informatif)	162
7.1.3	LN: Moteur à mouvement alternatif Nom: DCIP	164
7.2	Nœuds logiques pour dispositif logique de pile à combustible.....	165
7.2.1	Description de pile à combustible (informatif)	165
7.2.2	Dispositif logique de pile à combustible (informatif)	167
7.2.3	LN: Contrôleur de la pile à combustible Nom: DFCL	169
7.2.4	LN: Assemblage de piles à combustible Nom: DSTK	171
7.2.5	LN: Module de traitement du combustible Nom: DFPM	172
7.3	Nœuds logiques pour le dispositif logique du système photovoltaïque (PV)	173
7.3.1	Description du système photovoltaïque (informatif).....	173
7.3.2	Dispositif logique de système photovoltaïque (informatif).....	176
7.3.3	LN: Caractéristiques assignées du module photovoltaïque Nom: DPVM	178
7.3.4	LN: Caractéristiques du groupe photovoltaïque Nom: DPVA	179
7.3.5	LN: Contrôleur du groupe photovoltaïque Nom: DPVC	180
7.3.6	LN: Contrôleur de suivi Nom: DTRC	181
7.4	Nœuds logiques pour dispositif logique de production combinée de chaleur et d'électricité (CHP).....	184
7.4.1	Description de la production combinée de chaleur et d'électricité (informatif).....	184
7.4.2	Dispositif logique de production combinée de chaleur et d'électricité (informatif).....	187
7.4.3	LN: Contrôleur du système CHP Nom: DCHC	189
7.4.4	LN: Stockage thermique Nom: DCTS	191
7.4.5	LN: Chaudière Nom: DCHB	191
8	Nœuds logiques pour systèmes auxiliaires	192
8.1	Nœuds logiques pour dispositif logique de système à combustible.....	192
8.1.1	Dispositif logique de système à combustible (informatif)	192
8.1.2	LN: Caractéristiques du combustible Nom: MFUL	194
8.1.3	LN: Système de livraison du combustible Nom: DFLV	195
8.2	Nœuds logiques pour dispositif logique de système de batteries.....	196
8.2.1	Dispositif logique de système de batteries (informatif)	196
8.2.2	LN: Systèmes de batteries Nom: ZBAT	196
8.2.3	LN: Chargeur de batterie Nom: ZBTC	197
8.3	Nœud logique pour dispositif à fusible	198
8.3.1	Dispositif logique à fusible (informatif)	198
8.3.2	LN: Fusible Nom: XFUS	199
8.4	Nœud logique du séquenceur	199
8.4.1	Dispositif logique du séquenceur	199
8.4.2	LN: Séquenceur Nom: FSEQ	200

8.5	Nœuds logiques pour les mesurages physiques.....	200
8.5.1	Mesurages physiques (informatif)	200
8.5.2	LN: Mesurages de température Nom: STMP	201
8.5.3	LN: Mesurages de pression Nom: MPRS	201
8.5.4	LN: Valeurs mesurées de la chaleur Nom: MHET	202
8.5.5	LN: Mesurages de débit Nom: MFLW.....	203
8.5.6	LN: Conditions de vibration Nom: SVBR	204
8.5.7	LN: Mesurages des émissions Nom: MENV	205
8.5.8	LN: Conditions météorologiques Nom: MMET	206
8.6	Nœuds logiques pour le comptage.....	206
8.6.1	Comptage électrique (informatif).....	206
9	Classes de données communes (CDC) DER.....	206
9.1	Matrices CDC	206
9.1.1	Spécifications de classe de données communes énumérée E-Array (ERY)	206
9.1.2	Spécifications de classe de données communes énumérée V-Array (VRY)	207
9.2	Classes de données communes de programmation.....	208
9.2.1	Spécifications de classe de données communes des réglages de calendrier temporel absolu (SCA).....	208
9.2.2	Spécifications de classe de données communes des réglages de calendrier temporel relatif (SCR).....	209
	Annexe A (informative) Glossaire.....	210
	Bibliographie.....	213
	Figure 1 – Exemple de configuration de communication d'une centrale DER.....	108
	Figure 2 – Modélisation de l'IEC 61850 et connexions avec le CIM et autres modèles de l'IEC TC 57	111
	Figure 3 – Hiérarchie du modèle d'information	122
	Figure 4 – Exemple de relation entre le dispositif logique, les nœuds logiques, les objets de données, et les classes de données communes.....	123
	Figure 5 – Vue d'ensemble: Organisation conceptuelle des dispositifs logiques et nœuds logiques des DER	132
	Figure 6 – Illustration des points de connexion électrique (ECP) dans une centrale DER133	
	Figure 7 – Configuration de l'onduleur/convertisseur.....	157
	Figure 8 – Exemple d'un système de moteur à mouvement alternatif (par exemple un groupe électrogène diesel)	163
	Figure 9 – Exemple de LN dans un système de moteur à mouvement alternatif	164
	Figure 10 – Pile à combustible – Pile à combustible à membrane échangeuse de protons hydrogène/oxygène (PEM)	166
	Figure 11 – Fonctionnement d'une pile à combustible à PEM.....	167
	Figure 12 – Exemple de LN utilisés dans un système de pile à combustible.....	169
	Figure 13 – Exemple: Schéma unifilaire d'un système PV interconnecté	174
	Figure 14 – Schéma d'une grande installation PV avec deux groupes comprenant plusieurs sous-groupes	175
	Figure 15 – Exemple de LN associés à un système photovoltaïque.....	177
	Figure 16a – CHP fondée sur des piles à combustible	185

Figure 16b – CHP fondée sur des unités de combustion interne	185
Figure 16 – Deux exemples de configuration CHP	185
Figure 17 – Unité CHP incluant l'eau chaude domestique et les boucles de chauffage.....	186
Figure 18 – Unité CHP incluant l'eau chaude domestique avec stockage hybride.....	186
Figure 19 – Unité CHP incluant l'eau chaude domestique sans stockage hybride.....	186
Figure 20 – Exemple de LN associés à un système de production combinée de chaleur et d'électricité (CHP).....	189
Tableau 1 – Interprétation des tableaux de nœuds logiques.....	124
Tableau 2 – Classe LPHD.....	126
Tableau 3 – Classe de LN communs.....	128
Tableau 4 – classe LLN0	129
Tableau 5 – Caractéristiques corporatives de la centrale DER à l'ECP, LN (DCRP).....	135
Tableau 6 – Caractéristiques de fonctionnement à l'ECP, LN (DOPR).....	136
Tableau 7 – Autorité exploitante DER à l'ECP, LN (DOPA).....	137
Tableau 8 – Mode de fonctionnement à l'ECP, LN (DOPM).....	138
Tableau 9 – Statut à l'ECP, LN (DPST).....	139
Tableau 10 – Paramètres d'acheminement économique DER, LN (DCCT).....	139
Tableau 11 – Contrôle du programme d'énergie DER, LN (DSCC).....	140
Tableau 12 – Programme d'énergie DER et de services auxiliaires, LN (DSCH).....	141
Tableau 13 – Caractéristiques de contrôle DER, LN DRCT.....	143
Tableau 14 – Statut de contrôle DER, LN DRCS.....	144
Tableau 15 – Contrôle de surveillance DER, LN DRCC.....	145
Tableau 16 – Générateur d'unité DER, LN (DGEN).....	147
Tableau 17 – Caractéristiques assignées du générateur de base DER, LN (DRAT).....	149
Tableau 18 – Caractéristiques assignées du générateur avancé DER, LN (DRAZ).....	151
Tableau 19 – Coût du générateur, LN DCST.....	153
Tableau 20 – Caractéristiques assignées d'excitation, LN (DREX).....	154
Tableau 21 – Excitation, LN (DEXC).....	154
Tableau 22 – Contrôleur de vitesse/fréquence, LN (DSFC).....	156
Tableau 23 – Redresseur, LN (ZRCT).....	158
Tableau 24 – Onduleur, LN (ZINV).....	160
Tableau 25 – Moteur à mouvement alternatif, LN (DCIP).....	165
Tableau 26 – Contrôleur de pile à combustible, LN (DFCL).....	170
Tableau 27 – Assemblage de piles à combustible, LN (DSTK).....	171
Tableau 28 – Module de traitement de la pile à combustible, LN (DFPM).....	172
Tableau 29 – Caractéristiques du module photovoltaïque, LN (DPVM).....	178
Tableau 30 – Caractéristiques d'un groupe photovoltaïque, LN (DPVA).....	179
Tableau 31 – Contrôleur du groupe photovoltaïque, LN (DPVC).....	181
Tableau 32 – Contrôleur de suivi, LN (DTRC).....	182
Tableau 33 – Contrôleur du système CHP, LN (DCHC).....	190
Tableau 34 – Stockage thermique CHP, LN (DCTS).....	191
Tableau 35 – Système de chaudière CHP, LN (DCHB).....	192

Tableau 36 – Types de combustible.....	193
Tableau 37 – Caractéristiques du combustible, LN (MFUL).....	194
Tableau 38 – Systèmes de combustible, LN (DFLV).....	195
Tableau 39 – Systèmes de batteries, LN (ZBAT).....	196
Tableau 40 – Chargeur de batterie, LN (ZBTC).....	198
Tableau 41 – Fusible, LN (XFUS).....	199
Tableau 42 – Séquenceur, LN (FSEQ).....	200
Tableau 43 – Mesurages de température, LN (STMP).....	201
Tableau 44 – Mesurages de pression, LN (MPRS).....	201
Tableau 45 – Mesurages de chaleur, LN (MHET).....	202
Tableau 46 – Mesurage de débit, LN (MFLW).....	203
Tableau 47 – Conditions de vibration, LN (SVBR).....	204
Tableau 48 – Mesurages des émissions, LN (MENV).....	205
Tableau 49 – Spécifications de classe de données communes énumérées E-Array (ERY).....	207
Tableau 50 – Spécifications de classe de données communes énumérées V-Array (VRY).....	207
Tableau 51 – Spécifications de classe de données communes de calendrier (SCA).....	208
Tableau 52– Spécifications de classe de données communes de calendrier (SCR).....	209

Without

COMMISSION ÉLECTROTECHNIQUE INTERNATIONALE

RÉSEAUX ET SYSTÈMES DE COMMUNICATION POUR L'AUTOMATISATION DES SYSTÈMES ÉLECTRIQUES –

Partie 7-420: Structure de communication de base – Nœuds logiques de ressources énergétiques distribuées

AVANT-PROPOS

- 1) La Commission Électrotechnique Internationale (IEC) est une organisation mondiale de normalisation composée de l'ensemble des comités électrotechniques nationaux (Comités nationaux de l'IEC). L'IEC a pour objet de favoriser la coopération internationale pour toutes les questions de normalisation dans les domaines de l'électricité et de l'électronique. À cet effet, l'IEC – entre autres activités – publie des Normes internationales, des Spécifications techniques, des Rapports techniques, des Spécifications accessibles au public (PAS) et des Guides (ci-après dénommés « Publication (s) de l'IEC »). Leur élaboration est confiée à des comités d'études, aux travaux desquels tout Comité national intéressé par le sujet traité peut participer. Les organisations internationales, gouvernementales et non gouvernementales, en liaison avec l'IEC, participent également aux travaux. L'IEC collabore étroitement avec l'Organisation Internationale de Normalisation (ISO), selon des conditions fixées par accord entre les deux organisations.
- 2) Les décisions ou accords officiels de l'IEC concernant les questions techniques représentent, dans la mesure du possible, un accord international sur les sujets étudiés, étant donné que les Comités nationaux de l'IEC intéressés sont représentés dans chaque comité d'études.
- 3) Les Publications de l'IEC se présentent sous la forme de recommandations internationales et sont agréées comme telles par les Comités nationaux de l'IEC. Tous les efforts raisonnables sont entrepris afin que l'IEC s'assure de l'exactitude du contenu technique de ses publications; l'IEC ne peut pas être tenue responsable de l'éventuelle mauvaise utilisation ou interprétation qui en est faite par un quelconque utilisateur final.
- 4) Dans le but d'encourager l'uniformité internationale, les Comités nationaux de l'IEC s'engagent, dans toute la mesure possible, à appliquer de façon transparente les Publications de l'IEC dans leurs publications nationales et régionales. Toutes divergences entre toutes Publications de l'IEC et toutes publications nationales ou régionales correspondantes doivent être indiquées en termes clairs dans ces dernières.
- 5) L'IEC elle-même ne fournit aucune attestation de conformité. Des organismes de certification indépendants fournissent des services d'évaluation de conformité et, dans certains secteurs, accèdent aux marques de conformité de l'IEC. L'IEC n'est responsable d'aucun des services effectués par les organismes de certification indépendants.
- 6) Tous les utilisateurs doivent s'assurer qu'ils sont en possession de la dernière édition de cette publication.
- 7) Aucune responsabilité ne doit être imputée à l'IEC, à ses administrateurs, employés, auxiliaires ou mandataires, y compris ses experts particuliers et les membres de ses comités d'études et des Comités nationaux de l'IEC, pour tout préjudice causé en cas de dommages corporels et matériels, ou de tout autre dommage de quelque nature que ce soit, directe ou indirecte, ou pour supporter les coûts (y compris les frais de justice) et les dépenses découlant de la publication ou de l'utilisation de cette Publication de l'IEC ou de toute autre Publication de l'IEC, ou au crédit qui lui est accordé.
- 8) L'attention est attirée sur les références normatives citées dans cette publication. L'utilisation de publications référencées est obligatoire pour une application correcte de la présente publication.
- 9) L'attention est attirée sur le fait que certains des éléments de la présente Publication de l'IEC peuvent faire l'objet de droits de brevet. L'IEC ne saurait être tenue pour responsable de ne pas avoir identifié de tels droits de brevets et de ne pas avoir signalé leur existence.

La Norme internationale IEC 61850-7-420 a été établie par le comité d'études 57 de l'IEC: Gestion des systèmes de puissance et échanges d'informations associés.

La présente version bilingue (2019-09) correspond à la version anglaise monolingue publiée en 2009-03.

Le texte anglais de cette norme est issu des documents 57/981/FDIS et 57/988/RVD.

Le rapport de vote 57/988/RVD donne toute information sur le vote ayant abouti à l'approbation de cette norme.

La version française de cette norme n'a pas été soumise au vote.

Cette publication a été rédigée selon les Directives ISO/IEC, Partie 2.

Aux Articles 5 et 8 du présent document, chaque paragraphe contient un article informatif initial suivi par des articles normatifs. Tout paragraphe identifié spécifiquement comme informatif est informatif; tout article non identifié est considéré comme normatif.

Une liste de toutes les parties de la série IEC 61850, publiées sous le titre général: *Réseaux et systèmes de communication pour l'automatisation des systèmes électriques*, peut être consultée sur le site web de l'IEC.

Le comité a décidé que le contenu de cette publication ne sera pas modifié avant la date de maintenance indiquée sur le site web de l'IEC sous « <http://webstore.iec.ch> » dans les données relatives à la publication recherchée. À cette date, la publication sera

- reconduite,
- supprimée,
- remplacée par une édition révisée, ou
- amendée.

IMPORTANT – Le logo "colour inside" qui se trouve sur la page de couverture de cette publication indique qu'elle contient des couleurs qui sont considérées comme utiles à une bonne compréhension de son contenu. Les utilisateurs devraient, par conséquent, imprimer cette publication en utilisant une imprimante couleur.

INTRODUCTION

Un nombre croissant de systèmes de ressources énergétiques distribuées (DER, *distributed energy resources*) sont raccordés aux réseaux publics de distribution de l'électricité partout dans le monde. La technologie DER évoluant et l'impact de la génération dispersée sur les systèmes d'alimentation de distribution devenant un défi croissant (et une opportunité), les nations du monde entier reconnaissent les avantages économiques, sociaux et environnementaux de l'intégration de la technologie DER dans leur infrastructure électrique.

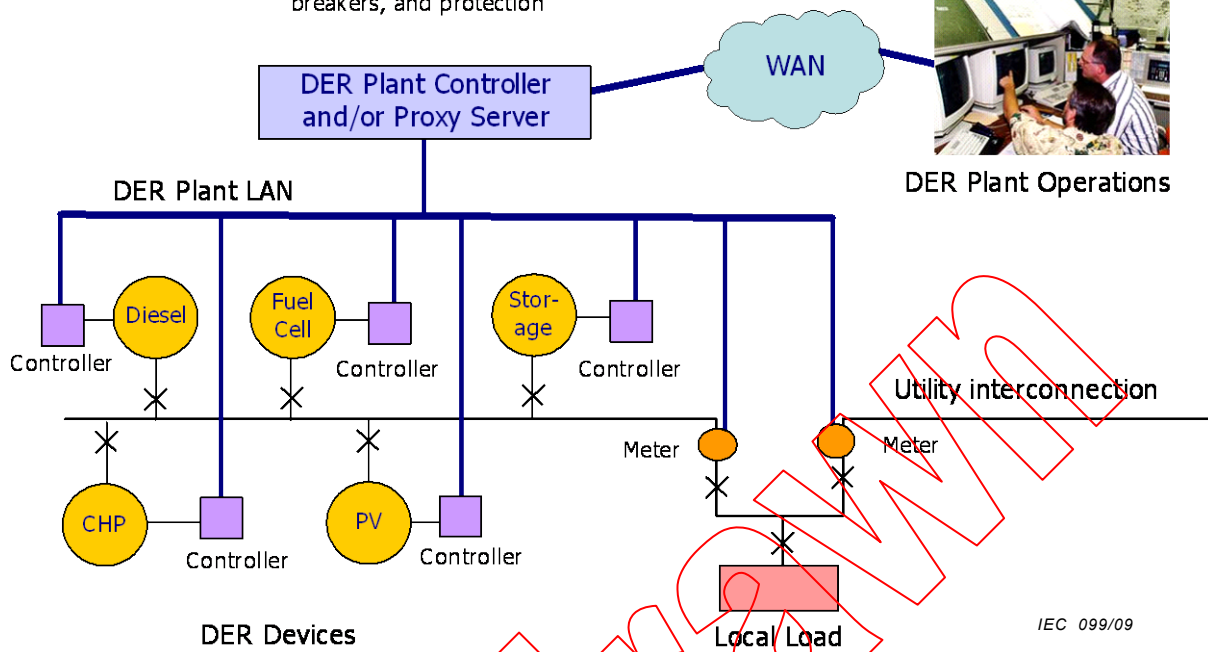
Les fabricants de dispositifs DER font face au problème récurrent des normes et protocoles de communications à fournir à leurs clients pour le contrôle des dispositifs DER, en particulier lorsqu'ils sont interconnectés au réseau électrique public. Dans le passé, les fabricants de DER développaient leur propre technologie de communication propriétaire. Cependant, depuis que les services publics, les agrégateurs et les autres fournisseurs de services énergétiques ont commencé à gérer les dispositifs DER interconnectés au réseau d'alimentation public, ils découvrent les difficultés techniques majeures, les coûts de mise en œuvre et les coûts de maintenance de l'adaptation liés à ces différentes technologies de communication. Par conséquent, les services publics et les fabricants de DER reconnaissent le besoin croissant d'une norme internationale qui définit les interfaces de communication et de commande de tous les services DER. Une telle norme, avec les lignes directrices et procédures uniformes associées, simplifierait la mise en œuvre, réduirait les coûts d'installation et de maintenance, et améliorerait la fiabilité de fonctionnement du système d'alimentation.

Les nœuds logiques du présent document sont destinés à être utilisés avec des DER, mais peuvent également s'appliquer aux installations de génération de station centrale composées de groupements d'unités multiples du même type de systèmes de conversion de l'énergie, qui sont représentés par les nœuds logiques DER du présent document. L'applicabilité à la génération par station centrale est plus importante pour les piles à combustible ou photovoltaïques, du fait de leur nature modulaire.

Les communications pour les centrales DER n'impliquent pas seulement les communications locales entre les unités DER et le système de gestion de la centrale, mais également celles entre la centrale DER et les opérateurs ou agrégateurs qui gèrent la centrale DER comme source virtuelle d'énergie et/ou de services auxiliaires. Ceci est représenté à la Figure 1.

Example of a Communications Configuration for a DER Plant

✕ = ECPs usually with switches, circuit breakers, and protection



IEC 099/09

Anglais	Français
Example of a Communication Configuration for a DER Plant	Exemple d'une configuration de communication d'une centrale DER
ECPs usually with switches, circuit breakers, and protection	Points de connexion électrique généralement avec interrupteurs, disjoncteurs, et protection
DER Plant Controller and/or Proxy Server	Contrôleur et/ou serveur proxy de la centrale DER
DER Plant Operations	Fonctionnement la centrale DER
DER Plant LAN	LAN de la centrale DER
Controller	Contrôleur
Diesel	Diesel
Fuel cell	Pile à combustible
Storage	Stockage
Meter	Compteur
Utility interconnection	Interconnexion au service public
Local load	Charge locale
DER devices	Dispositifs DER

Légende

CHP production combinée de chaleur et d'électricité

WAN réseau étendu

DER ressources énergétiques distribuées

PV photovoltaïque

LAN réseau local

Figure 1 – Exemple de configuration de communication d'une centrale DER

En termes simples, les « communications » peuvent être séparées en quatre parties:

- la modélisation d'informations (le type de données à échanger – noms),
- la modélisation de services (la lecture, l'écriture ou autres actions à entreprendre sur les données – verbes),
- les protocoles de communication (mise en correspondance des modèles de nom et de verbe aux bits et octets),
- les moyens de télécommunication (fibre optique, systèmes radio, systèmes sans fil, et autres équipements physiques).

Le présent document couvre uniquement la modélisation d'information liée aux DER de l'IEC 61850. Les autres documents de l'IEC 61850 couvrent la modélisation de services (IEC 61850-7-2) et la mise en correspondance aux protocoles de communication (IEC 61850-8-x). De plus, un langage de communication système (SCL) pour les DER (IEC 61850-6-x) couvrirait la configuration des centrales DER.

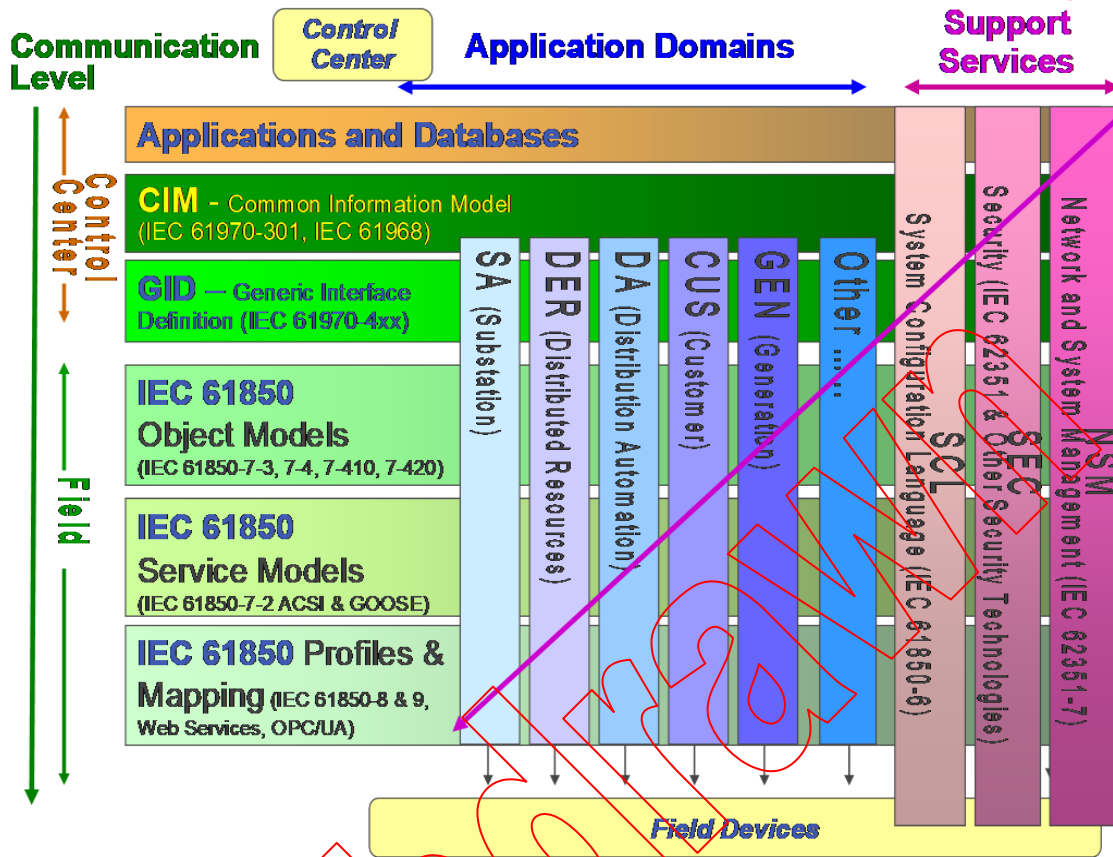
La technologie générale de modélisation d'information est largement utilisée comme la méthode de gestion d'échange d'informations la plus efficace. En particulier, les modèles d'information pour l'échange d'informations de l'IEC 61850-7-x dans les postes sont devenus une norme internationale. Un grand nombre des composantes de la présente norme peut être réutilisé pour les modèles d'information d'autres types de dispositifs.

En plus des normes IEC 61850, le comité d'études 57 de l'IEC a développé le modèle d'information commun (CIM, *Common Information Model*) qui modélise les relations entre les éléments du système d'alimentation et d'autres éléments d'information, de façon à communiquer ces relations entre les systèmes. Bien que la présente norme ne couvre pas ces relations CIM pour les DER, elle est compatible avec les concepts CIM.

L'interrelation entre les normes de modélisation du comité d'études 57 de l'IEC est représentée à la Figure 2. Elle représente sous forme de couches horizontales les trois composantes d'un modèle d'échange d'informations servant à récupérer les données du champ, à savoir, les profils de protocole de communication, les modèles de service, et les modèles d'information. Au-dessus de ces couches se trouve le modèle d'information des données spécifiques au service public, nommé le modèle d'information commun (CIM), ainsi que toutes les applications et bases de données nécessaires au fonctionnement du service public. À la verticale, des modèles d'information différents sont représentés:

- automatisation de poste (IEC 61850-7-4),
- grandes centrales hydroélectriques (IEC 61850-7-410),
- ressources énergétiques distribuées (DER) (IEC 61850-7-420),
- automatisation de la distribution (en développement),
- infrastructure de comptage avancé (pertinents au fonctionnement du service public) (en instance).

IEC 61850 Models and the Common Information Model (CIM)



IEC 100/09

Anglais	Français
IEC 61850 Models and the Common Information Model (CIM)	Modèles de l'IEC 61850 et modèle d'information commun (CIM)
Communication Level	Niveau communication
Control Center	Centre de commande
Application Domains	Domaines d'application
Support Services	Services support
Applications and Databases	Applications et bases de données
CIM – Common Information Model	CIM – Modèle d'information commun
GID – Generic Interface Definition	GID – Définition d'interface générique
Object Models	Modèles d'objet
Service Models	Modèles de service
Profiles & Mapping	Profils & Mise en correspondance
Web Services	Services Web
Field	Champ
SA (Substation)	SA (Poste)
DER (Distributed resources)	DER (Ressources distribuées)
DA (Distribution Automation)	DA (Automatisation de la distribution)
CUS (Customer)	CUS (Client)
GEN (Generation)	GEN (Génération)

Other	Autre
SCL System Configuration Language	SCL Langage de configuration système
SEC Security & Other Security Technologies	SEC Sécurité & Autres technologies de la sécurité
NSM Network and System Management	NSM Gestion réseau et système
Field Devices	Dispositifs de champ

Figure 2 – Modélisation de l'IEC 61850 et connexions avec le CIM et autres modèles de l'IEC TC 57

Withdrawn

RÉSEAUX ET SYSTÈMES DE COMMUNICATION POUR L'AUTOMATISATION DES SYSTÈMES ÉLECTRIQUES –

Partie 7-420: Structure de communication de base – Nœuds logiques de ressources énergétiques distribuées

1 Domaine d'application

La présente norme internationale définit les modèles d'information de l'IEC 61850 à utiliser dans l'échange d'informations avec les ressources énergétiques distribuées (DER), qui comprend les dispositifs de génération dispersée et les dispositifs de stockage dispersé, y compris les moteurs à mouvement alternatif, les piles à combustible, les microturbines, les photovoltaïques, la production combinée de chaleur et d'électricité, et le stockage de l'énergie.

La norme IEC 61850 relative au modèle d'information DER utilise les nœuds logiques existants de l'IEC 61850-7-4 lorsque cela est possible, mais définit également des nœuds logiques spécifiques aux DER lorsque cela est nécessaire.

2 Références normatives

Les documents de référence suivants sont indispensables pour l'application du présent document. Pour les références datées, seule l'édition citée s'applique. Pour les références non datées, la dernière édition du document de référence s'applique (y compris les éventuels amendements).

IEC 61850-7-2:2003, *Réseaux et systèmes de communication pour l'automatisation des systèmes électriques - Partie 7-2: Informations de base et structure de communication - Interface abstraite pour les services de communication (ACSI) (ACSI)*¹⁾

IEC 61850-7-3:2003, *Réseaux et systèmes de communication pour l'automatisation des systèmes électriques - Partie 7-3: Structure de communication de base - Classes de données communes*¹⁾

IEC 61850-7-4:2003, *Réseaux et systèmes de communication pour l'automatisation des systèmes électriques - Partie 7-4: Structure de communication de base - Classes de nœuds logiques et classes d'objets de données compatibles*¹⁾

IEC 61850-7-410, *Réseaux et systèmes de communication pour l'automatisation des systèmes électriques - Partie 7-410: Structure de communication de base - Centrales hydroélectriques - Communication pour le contrôle-commande*

ISO 4217, *Codes pour la représentation des monnaies*

¹ Une nouvelle édition de ce document est en préparation.