

INTERNATIONAL STANDARD

NORME INTERNATIONALE



**Industrial communication networks – Installation of communication networks
in industrial premises**

**Réseaux de communication industriels – Installation des réseaux de
communication dans les locaux industriels**

INTERNATIONAL
ELECTROTECHNICAL
COMMISSION

COMMISSION
ELECTROTECHNIQUE
INTERNATIONALE

PRICE CODE **XG**
CODE PRIX

ICS 22.060; 25.040.40; 33.180; 35.110

ISBN 978-2-8322-1916-4

**Warning! Make sure that you obtained this publication from an authorized distributor.
Attention! Veuillez vous assurer que vous avez obtenu cette publication via un distributeur agréé.**

CONTENTS

FOREWORD.....	10
INTRODUCTION.....	12
1 Scope.....	15
2 Normative references	15
3 Terms, definitions, and abbreviated terms	18
3.1 Terms and definitions	18
3.2 Abbreviated terms	26
3.3 Conventions for installation profiles	27
4 Installation planning	27
4.1 Introduction	27
4.1.1 Objective	27
4.1.2 Cabling in industrial premises	28
4.1.3 The planning process	30
4.1.4 Specific requirements for CPs	31
4.1.5 Specific requirements for generic cabling in accordance with ISO/IEC 24702	31
4.2 Planning requirements.....	31
4.2.1 Safety.....	31
4.2.2 Security.....	32
4.2.3 Environmental considerations and EMC.....	32
4.2.4 Specific requirements for generic cabling in accordance with ISO/IEC 24702	33
4.3 Network capabilities	33
4.3.1 Network topology.....	33
4.3.2 Network characteristics	35
4.4 Selection and use of cabling components	39
4.4.1 Cable selection.....	39
4.4.2 Connecting hardware selection.....	42
4.4.3 Connections within a channel/permanent link	44
4.4.4 Terminators	49
4.4.5 Device location and connection	49
4.4.6 Coding and labelling	50
4.4.7 Earthing and bonding of equipment and devices and shielded cabling	50
4.4.8 Storage and transportation of cables	58
4.4.9 Routing of cables.....	59
4.4.10 Separation of circuits.....	60
4.4.11 Mechanical protection of cabling components	61
4.4.12 Installation in special areas	62
4.5 Cabling planning documentation.....	62
4.5.1 Common description	62
4.5.2 Cabling planning documentation for CPs	62
4.5.3 Network certification documentation	63
4.5.4 Cabling planning documentation for generic cabling in accordance with ISO/IEC 24702	63
4.6 Verification of cabling planning specification	63
5 Installation implementation	63

5.1	General requirements.....	63
5.1.1	Common description.....	63
5.1.2	Installation of CPs.....	63
5.1.3	Installation of generic cabling in industrial premises.....	63
5.2	Cable installation.....	63
5.2.1	General requirements for all cabling types.....	63
5.2.2	Installation and routing.....	69
5.2.3	Specific requirements for CPs.....	71
5.2.4	Specific requirements for wireless installation.....	71
5.2.5	Specific requirements for generic cabling in accordance with ISO/IEC 24702.....	71
5.3	Connector installation.....	71
5.3.1	Common description.....	71
5.3.2	Shielded connectors.....	71
5.3.3	Unshielded connectors.....	72
5.3.4	Specific requirements for CPs.....	72
5.3.5	Specific requirements for wireless installation.....	72
5.3.6	Specific requirements for generic cabling in accordance with ISO/IEC 24702.....	72
5.4	Terminator installation.....	72
5.4.1	Common description.....	72
5.4.2	Specific requirements for CPs.....	72
5.5	Device installation.....	72
5.5.1	Common description.....	72
5.5.2	Specific requirements for CPs.....	73
5.6	Coding and labelling.....	73
5.6.1	Common description.....	73
5.6.2	Specific requirements for CPs.....	73
5.7	Earthing and bonding of equipment and devices and shield cabling.....	73
5.7.1	Common description.....	73
5.7.2	Bonding and earthing of enclosures and pathways.....	73
5.7.3	Earthing methods.....	75
5.7.4	Shield earthing methods.....	76
5.7.5	Specific requirements for CPs.....	78
5.7.6	Specific requirements for generic cabling in accordance with ISO/IEC 24702.....	78
5.8	As-implemented cabling documentation.....	78
6	Installation verification and installation acceptance test.....	79
6.1	Introduction.....	79
6.2	Installation verification.....	79
6.2.1	General.....	79
6.2.2	Verification according to cabling planning documentation.....	79
6.2.3	Verification of earthing and bonding.....	81
6.2.4	Verification of shield earthing.....	82
6.2.5	Verification of cabling system.....	82
6.2.6	Cable selection verification.....	82
6.2.7	Connector verification.....	82
6.2.8	Connection verification.....	83
6.2.9	Terminators verification.....	84

6.2.10	Coding and labelling verification	85
6.2.11	Verification report	85
6.3	Installation acceptance test	85
6.3.1	General	85
6.3.2	Acceptance test of Ethernet based cabling	87
6.3.3	Acceptance test of non Ethernet based cabling	89
6.3.4	Specific requirements for wireless installation	90
6.3.5	Acceptance test report	90
7	Installation administration	90
7.1	General	90
7.2	Fields covered by the administration	90
7.3	Basic principles for the administration system	91
7.4	Working procedures	91
7.5	Device location labelling	91
7.6	Component cabling labelling	92
7.7	Documentation	92
7.8	Specific requirements for administration	93
8	Installation maintenance and installation troubleshooting	93
8.1	General	93
8.2	Maintenance	94
8.2.1	Scheduled maintenance	94
8.2.2	Condition-based maintenance	95
8.2.3	Corrective maintenance	96
8.3	Troubleshooting	96
8.3.1	General description	96
8.3.2	Evaluation of the problem	96
8.3.3	Typical problems	97
8.3.4	Troubleshooting procedure	99
8.3.5	Simplified troubleshooting procedure	100
8.4	Specific requirements for maintenance and troubleshooting	101
Annex A (informative)	Introduction to generic cabling for industrial premises	102
Annex B (informative)	MICE description methodology	103
B.1	General	103
B.2	Introduction to MICE	103
B.3	Examples of use of the MICE concept	104
B.3.1	Common description	104
B.3.2	Examples of mitigation	105
B.4	Determining E classification	106
B.5	The MICE table	108
Annex C (informative)	Network topologies	111
C.1	Common description	111
C.2	Total cable demand	111
C.3	Maximum cable segment length	111
C.4	Maximum network length	111
C.5	Fault tolerance	111
C.5.1	General	111
C.5.2	Use of redundancy	111

C.5.3 Failure analysis for networks with redundancy	111
C.6 Network access for diagnosis convenience	112
C.7 Maintainability and on-line additions	112
Annex D (informative) Connector table.....	113
Annex E (informative) Power networks with respect to electromagnetic interference – TN-C and TN-S approaches.....	118
Annex F (informative) Conversion table mm ² to AWG.....	120
Annex G (informative) Installed cabling verification checklists.....	121
G.1 Introduction	121
G.2 Copper cabling verification checklist.....	121
G.3 Optical fibre cabling verification checklist	124
Annex H (informative) Connector/cable pinning.....	125
H.1 Introduction	125
H.2 Constructing cord sets.....	125
H.2.1 Straight through cord sets with M12-4 D-coding connectors.....	124
H.2.2 Crossover cord sets with M12-4 D-coding connectors.....	124
H.2.3 Straight through cord sets with 8-way modular connectors.....	125
H.2.4 Crossover cord sets with 8-way modular connector.....	126
H.2.5 Straight conversion from one connector family to another	127
H.2.6 Crossover conversion from one connector family to another	128
Annex I (informative) Guidance for terminating cable ends	129
I.1 Introduction	129
I.2 Guidance for terminating shielded twisted pair cable ends for 8-way modular plugs.....	129
I.3 Guidance for terminating unshielded twisted pair cable ends for 8-way modular plugs	131
I.4 Guidance for M12-4 D-coding connector installation	132
I.5 Guidance for terminating optical fibre cable ends	135
Annex J (informative) Recommendations for bulkhead connection performance and channel performance with more than 4 connections in the channel	136
J.1 Introduction	136
J.2 Recommendations.....	136
Annex K (informative) Fieldbus data transfer testing	137
K.1 Background	137
K.2 Allowable error rates for control systems	137
K.2.1 Bit errors	137
K.2.2 Burst errors	137
K.3 Testing channel performance	138
K.4 Testing cable parameters	138
K.4.1 General	138
K.4.2 Generic cable testing.....	138
K.4.3 Fieldbus cable testing.....	138
K.5 Testing fieldbus data rate performance.....	139
K.5.1 General	139
K.5.2 Fieldbus test.....	139
K.5.3 Planning for fieldbus data rate testing.....	139
K.5.4 Fieldbus data rate test reporting template.....	140

K.5.5 Values for acceptable fieldbus performance.....	140
Annex L (informative) Communication network installation work responsibility	141
L.1 Introduction	141
L.2 Installation work responsibility	141
L.3 Installation work responsibility table	141
Annex M (informative) Trade names of communication profiles	142
Annex N (informative) Validation measurements	144
N.1 General	144
N.2 DCR measurements	144
N.2.1 Purpose of test	144
N.2.2 Assumptions	144
N.2.3 Measurements	144
N.2.4 Calculations.....	146
N.2.5 Measurement results	146
Bibliography.....	150
Figure 1 – Industrial network installation life cycle	13
Figure 2 – Standards relationships.....	14
Figure 3 – Structure of generic cabling connected to an automation island	28
Figure 4 – Automation island cabling attached to elements of generic cabling.....	29
Figure 5 – Automation islands.....	29
Figure 6 – Automation island network external connections	30
Figure 7 – How to meet environmental conditions.....	33
Figure 8 – How enhancement, isolation and separation work together	33
Figure 9 – Basic physical topologies for passive networks	34
Figure 10 – Basic physical topologies for active networks	34
Figure 11 – Example of combination of basic topologies	35
Figure 12 – Basic reference implementation model	45
Figure 13 – Enhanced reference implementation model	46
Figure 14 – Selection of the earthing and bonding systems.....	53
Figure 15 – Wiring for bonding and earthing in a mesh equipotential configuration	55
Figure 16 – Wiring of the earths in a star earth configuration	56
Figure 17 – Schematic diagram of a field device with direct earthing.....	57
Figure 18 – Schematic diagram of a field device with parallel RC circuit earthing.....	57
Figure 19 – Insert edge protector	65
Figure 20 – Use an uncoiling device and avoid forming loop	65
Figure 21 – Avoid torsion	66
Figure 22 – Maintain minimum bending radius	66
Figure 23 – Do not pull by the individual wires	67
Figure 24 – Use cable clamps with a large (wide) surface	67
Figure 25 – Cable gland with bending protection.....	67
Figure 26 – Spiral tube	68
Figure 27 – Separate cable pathways	70
Figure 28 – Surface preparation for electromechanical earth and bonding connections.....	74

Figure 29 – Use of flexible bonding straps at movable metallic pathways.....	74
Figure 30 – Example of isolated bus bar	75
Figure 31 – Example of isolator for mounting DIN rails.....	75
Figure 32 – Parallel RC shield earthing.....	76
Figure 33 – Direct shield earthing	77
Figure 34 – Examples for shielding application	77
Figure 35 – First example of derivatives of shield earthing.....	78
Figure 36 – Second example of derivatives of shield earthing	78
Figure 37 – Installation verification process	80
Figure 38 – Test of earthing connections	81
Figure 39 – Pin and pair grouping assignments for two eight position IEC 60603-7 subparts and four position IEC 60603 series to IEC 61076-2-101 connectors.....	84
Figure 40 – Two pair 8-way modular connector.....	84
Figure 41 – Transposed pairs, split pairs and reversed pair	84
Figure 42 – Validation process.....	86
Figure 43 – Schematic representation of the channel.....	87
Figure 44 – Schematic representation of the permanent link.....	87
Figure 45 – Communication network maintenance	95
Figure 46 – Troubleshooting procedure.....	100
Figure 47 – Fault detection without special tools	101
Figure B.1 – MICE classifications.....	103
Figure B.2 – Example MICE areas within a facility	104
Figure B.3 – Enhancement, isolation and separation.....	104
Figure B.4 – Example 1 of mitigation.....	105
Figure B.5 – Example 2 of mitigation.....	106
Figure B.6 – Frequency range of electromagnetic disturbance from common industrial devices.....	106
Figure B.7 – Example of a general guidance for separation versus EFT value	108
Figure E.1 – Four-wire power network (TN-C).....	118
Figure E.2 – Five wire power network (TN-S).....	119
Figure H.1 – Straight through cord sets with M12-4 D-coding connectors.....	125
Figure H.2 – Crossover cord sets with M12-4 D-coding connectors.....	126
Figure H.3 – Straight through cord sets with 8-way modular connectors.....	126
Figure H.4 – Crossover cord sets with 8-way modular connector	127
Figure H.5 – Conversion from M12-4 to 8-way modular connector.....	128
Figure H.6 – M12-4 to 8-way modular connector crossover cable.....	128
Figure I.1 – Stripping the cable jacket.....	129
Figure I.2 – Example of wire preparation for type A cables.....	130
Figure I.3 – 8-way modular plug.....	130
Figure I.4 – Inserting the cable into the connector body	131
Figure I.5 – Crimping the connector	131
Figure I.6 – Example of a cable preparation for type A wiring.....	132
Figure I.7 – Connector components	133
Figure I.8 – Cable preparation	133

Figure I.9 – Connector wire gland, nut and shell on the cable	133
Figure I.10 – Conductors preparation	133
Figure I.11 – Jacket removal	133
Figure I.12 – Shield preparation	134
Figure I.13 – Conductors preparation	134
Figure I.14 – Installing conductors in connector	134
Figure I.15 – Assembling the body of the connector	134
Figure I.16 – Final assembling	135
Figure N.1 – Loop resistance measurement wire to wire	145
Figure N.2 – Loop resistance measurement wire 1 to shield	145
Figure N.3 – Loop resistance measurement wire 2 to shield	145
Figure N.4 – Resistance measurement for detecting wire shorts	145
Figure N.5 – Resistance measurement between wire 1 and wire 2	146
Figure N.6 – Validation of the cable DCR	147
Figure N.7 – Conclusions for cable open or shorts	148
Figure N.8 – Determination of proper cable terminator value	149
Table 1 – Basic network characteristics for balanced cabling not based on Ethernet	36
Table 2 – Network characteristics for balanced cabling based on Ethernet	37
Table 3 – Network characteristics for optical fibre cabling	38
Table 4 – Information relevant to copper cable: fixed cables	40
Table 5 – Information relevant to copper cable: cords	40
Table 6 – Information relevant to optical fibre cables	41
Table 7 – Connectors for balanced cabling CPs based on Ethernet	43
Table 8 – Connectors for copper cabling CPs not based on Ethernet	43
Table 9 – Optical fibre connecting hardware	44
Table 10 – Basic reference implementation equations	45
Table 11 – Enhanced reference implementation equations	47
Table 12 – Correction factor Z for operating temperature above 20°C	47
Table 13 – Equalisation and earthing conductor sizing and length	52
Table 14 – Bonding straps cross-section	54
Table 15 – Bonding plates surface protection	54
Table 16 – Cable circuit types and minimum distances	61
Table 17 – Parameters for balanced cables	64
Table 18 – Parameters for silica optical fibre cables	64
Table 19 – Parameters for POF optical fibre cables	64
Table 20 – Parameters for hard cladded silica optical fibre cables	64
Table 21 – Typical problems in a network with balanced cabling	97
Table 22 – Typical problems in a network with fibre optic cabling	98
Table B.1 – Example 1 of targeted MICE area	105
Table B.2 – Example 2 of targeted MICE area	105
Table B.3 – Relationship between electromagnetic disturbance generating devices and “E” classification	107
Table B.4 – Coupling mechanism for each of the interfering devices	107

Table B.5 – MICE definition	109
Table D.1 – Conventions for colour code used in the connector table	113
Table D.2 – Connector table	114
Table F.1 – Approximate conversion table for commonly used wire gauge	120
Table G.1 – Copper cabling verification checklist	121
Table G.2 – Earthing and bonding measurements checklist	122
Table G.3 – Signatures for Table G.1 and Table G.2 checklists	122
Table G.4 – Checklist for special checks for non-Ethernet-based CPs	123
Table G.5 – Signatures for Table G.4 checklist	123
Table G.6 – Optical fibre cabling verification checklist	124
Table G.7 – Signatures for Table G.6 checklist	124
Table H.1 – M12-4 D-coding pin/pair assignment	125
Table H.2 – M12 to M12 crossover pin/pair assignment	126
Table H.3 – 8-way modular connector pin/pair assignment	127
Table H.4 – 8-way modular crossover pin/pair assignment	127
Table H.5 – Connectivity pin assignment	128
Table H.6 – M12 to 8-way modular crossover pin/pair assignment	128
Table J.1 – Transmission requirements for more than 4 connections in a channel	136
Table M.1 – Trade names of CPFs and CPs	142

Withhold

INTERNATIONAL ELECTROTECHNICAL COMMISSION

INDUSTRIAL COMMUNICATION NETWORKS –

Installation of communication networks in industrial premises

FOREWORD

- 1) The International Electrotechnical Commission (IEC) is a worldwide organization for standardization comprising all national electrotechnical committees (IEC National Committees). The object of IEC is to promote international co-operation on all questions concerning standardization in the electrical and electronic fields. To this end and in addition to other activities, IEC publishes International Standards, Technical Specifications, Technical Reports, and Guides (hereafter referred to as "IEC Publication(s)"). Their preparation is entrusted to technical committees; any IEC National Committee interested in the subject dealt with may participate in this preparatory work. International, governmental and non-governmental organizations liaising with the IEC also participate in this preparation. IEC collaborates closely with the International Organization for Standardization (ISO) in accordance with conditions determined by agreement between the two organizations.
- 2) The formal decisions or agreements of IEC on technical matters express, as nearly as possible, an international consensus of opinion on the relevant subjects since each technical committee has representation from all interested IEC National Committees.
- 3) IEC Publications have the form of recommendations for international use and are accepted by IEC National Committees in that sense. While all reasonable efforts are made to ensure that the technical content of IEC Publications is accurate, IEC cannot be held responsible for the way in which they are used or for any misinterpretation by any end user.
- 4) In order to promote international uniformity, IEC National Committees undertake to apply IEC Publications transparently to the maximum extent possible in their national and regional publications. Any divergence between any IEC Publication and the corresponding national or regional publication should be clearly indicated in the latter.
- 5) IEC provides no marking procedure to indicate its approval and cannot be rendered responsible for any equipment declared to be in conformity with an IEC Publication.
- 6) All users should ensure that they have the latest edition of this publication.
- 7) No liability should attach to IEC or its directors, employees, servants or agents including individual experts and members of its technical committees and IEC National Committees for any personal injury, property damage or other damage of any nature whatsoever, whether direct or indirect, or for costs (including legal fees) and expenses arising out of the publication, use of, or reliance upon, this IEC Publication or any other IEC Publications.
- 8) Attention is drawn to the Normative references cited in this publication. Use of the referenced publications is indispensable for the correct application of this publication.
- 9) Attention is drawn to the possibility that some of the elements of this IEC Publication may be the subject of patent rights. IEC should not be held responsible for identifying any or all such patent rights.

International Standard IEC 61918 has been prepared by subcommittee 65C: Industrial networks, of IEC technical committee 65: Industrial process measurement, control and automation.

This bilingual version (2014-11) corresponds to the English version, published in 2007-12.

This standard is to be used in conjunction with the IEC 61784-5 series with regard to the installation of communication profiles (CPs). This standard is to be used in conjunction with ISO/IEC 14763-2 with regard to the installation of generic cabling in accordance with ISO/IEC 24702.

NOTE For further information, see the Introduction.

This standard was developed in cooperation with ISO/IEC JTC1/SC25 which is responsible for ISO/IEC 24702.

The text of this standard is based on the following documents:

FDIS	Report on voting
65C/467/FDIS	65C/478/RVD

Full information on the voting for the approval of this standard can be found in the report on voting indicated in the above table.

The French version of this standard has not been voted upon.

This publication has been drafted in accordance with the ISO/IEC Directives, Part 2.

The committee has decided that the contents of this publication will remain unchanged until the maintenance result date indicated on the IEC web site under "<http://webstore.iec.ch>" in the data related to the specific publication. At this date, the publication will be:

- reconfirmed;
- withdrawn;
- replaced by a revised edition, or
- amended.

The contents of the corrigendum of February 2009 have been included in this copy.

IMPORTANT – The 'colour inside' logo on the cover page of this publication indicates that it contains colours which are considered to be useful for the correct understanding of its contents. Users should therefore print this document using a colour printer.

INTRODUCTION

Process and factory automation are increasingly relying on communication networks and fieldbuses that are inherently designed to cope with the specific environmental conditions of the industrial premises. The networks and fieldbuses provide for an effective integration of applications among the several functional units of the plant/factory. As a result the integration of field generated data with higher-level management systems can produce reduction in production costs while maintaining or increasing quantity and quality of production. A correct network installation is an important prerequisite for communications availability and performance. This requires proper consideration of important aspects of industrial automation sites such as topologies, climatic conditions, vibrations, chemical pollution, EMC, functional safety.

The specifications of these communication networks are provided in the following standards.

ISO/IEC 24702 specifies design of generic telecommunications infrastructures within industrial premises and provides the foundations for some of the transmission performance specifications of this standard. ISO/IEC 24702 specifies only the raw bandwidth capability of a channel; it does not specify useful data transfer rate for a specific network using that channel or expected errors after taking account of interference during the communication process.

IEC 61158 fieldbus standard and its companion standard IEC 61784 (including parts 1, 2, 3, 4 and relevant subparts) jointly specify several CPs suitable for industrial automation. These CPs specify a raw bandwidth capability and in addition, they specify bit modulation and encoding rules for their fieldbus. Some profiles also specify target levels for useful data transfer rate, and maximum values for errors caused by interference during the communication process.

This standard provides a consistent set of installation rules for both the generic cabling (of the telecommunication infrastructures) and the fieldbuses in industrial premises. One of the problems it seeks to solve is the situation created when different parts of a large automation site are provided by suppliers that use non-homogeneous installation guidelines having different structures and contents. This creates a risk that communication system may not work properly.

This standard was developed by harmonising the approaches of several user groups and industrial consortia.

This standard provides a common point of reference for the installation of the media of most used industrial communication networks for most industrial sites. The standard covers the life cycle of an installation in the following clauses (see the map of the standard in Figure 1):

- Clause 4: Installation planning;
- Clause 5: Installation implementation;
- Clause 6: Installation verification and acceptance test;
- Clause 7: Installation administration;
- Clause 8: Installation maintenance and troubleshooting.

The methods described in these clauses are written in such a way as to provide installation guidance for a wide range of technician skills.

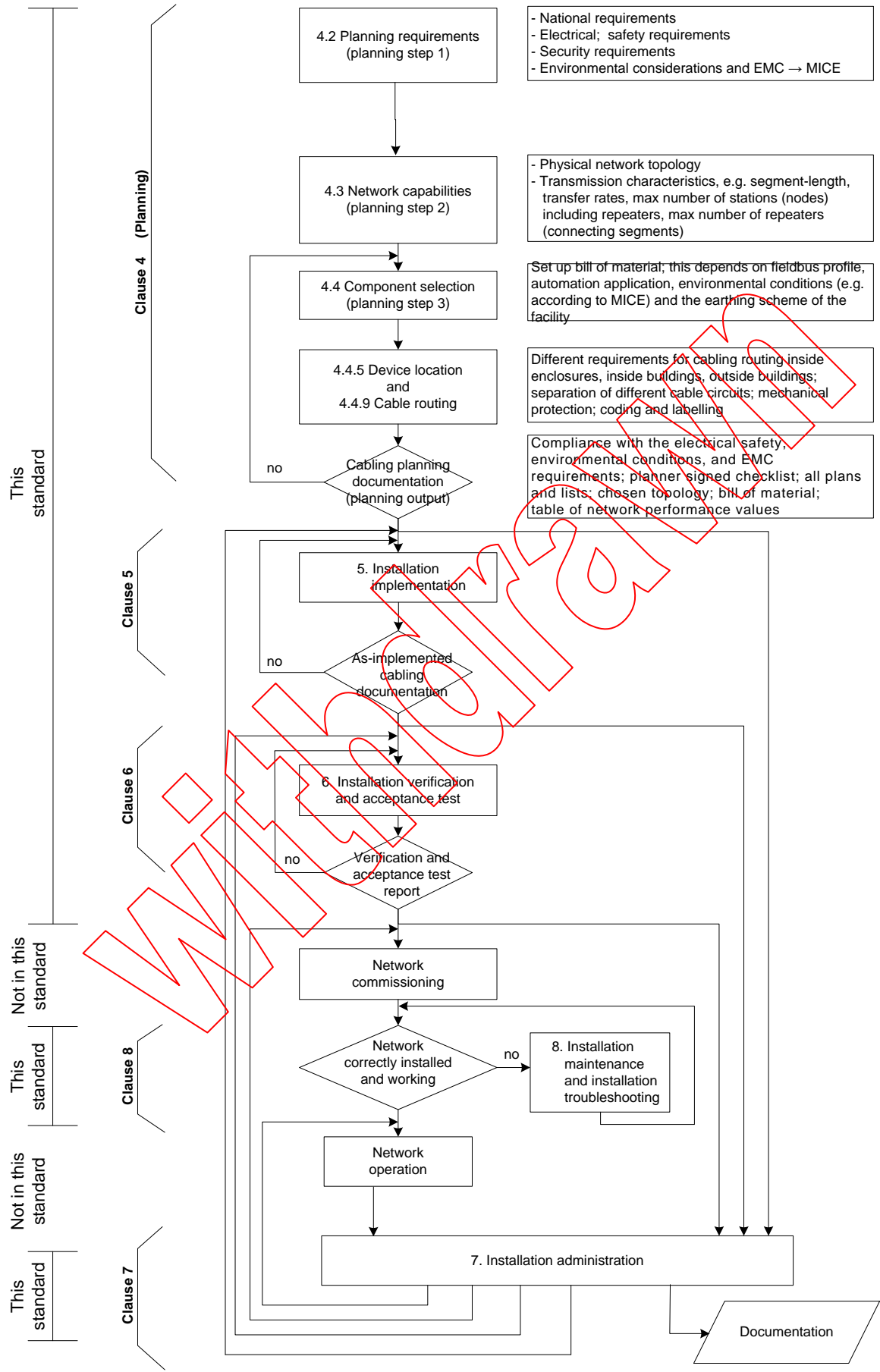


Figure 1 – Industrial network installation life cycle

For each communication system, this standard is to be used in conjunction with the relevant installation profile that establishes which selections, additions and replacements of the subclauses of this standard apply.

As regards the communication profiles (CPs) of the communication profile families (CPF) defined in IEC 61784 series, the relevant installation profiles are available in IEC 61784-5-x series, where x is the number of CPF x. IEC/TR 61158-1 describes the relationship between the fieldbus and the CPs and the relevant installation profiles (see Figure 2).

For the installation of generic cabling, this standard is to be used in conjunction with ISO/IEC 14763-2 (see Figure 2).

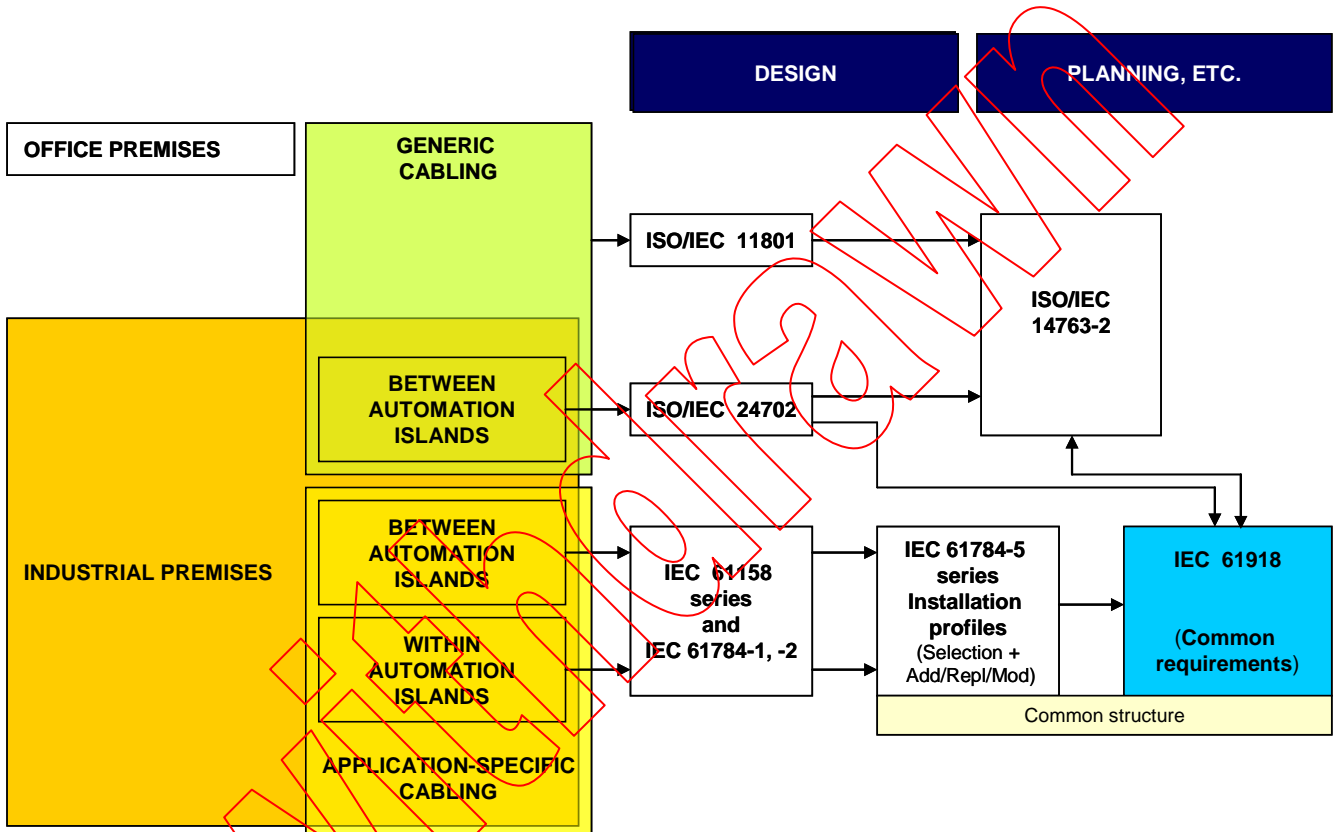


Figure 2 – Standards relationships

INDUSTRIAL COMMUNICATION NETWORKS –

Installation of communication networks in industrial premises

1 Scope

This International Standard specifies basic requirements for the installation of media for communication networks in industrial premises and within and between the automation islands, of industrial sites. This standard covers balanced and optical fibre cabling. It also covers the cabling infrastructure for wireless media, but not the wireless media itself. Additional media are covered in IEC 61784-5 series.

This standard is a companion standard to the communication networks of the industrial automation islands and especially to the communication networks specified in the IEC 61158 series and the IEC 61784 series. In addition, this standard covers:

- the installation of generic telecommunication cabling for industrial premises as specified in ISO/IEC 24702;
- the connection between the generic telecommunications cabling specified in ISO/IEC 24702 and the specific communication cabling of an automation island, where an automation outlet (AO) replaces the telecommunication outlet (TO) of ISO/IEC 24702.

NOTE If the interface used at the AO does not conform to that specified for the TO of ISO/IEC 24702, the cabling no longer conforms to ISO/IEC 24702 although certain features, including performance, of generic cabling may be retained.

This standard provides guidelines that cope with the critical aspects of the industrial automation area (topologies, climatic conditions, vibrations, chemical pollution, EMC, functional safety, security, etc.).

This standard deals with the roles of planner, installer, verifier, and acceptance test personnel, administration and maintenance personnel and specifies the relevant responsibilities and/or gives guidance.

2 Normative references

The following referenced documents are indispensable for the application of this document. For dated references, only the edition cited applies. For undated references, the latest edition of the referenced document (including any amendments) applies.

IEC 60079-14, *Electrical apparatus for explosive gas atmospheres – Part 14: Electrical installations in hazardous areas (other than mines)*

IEC 60364-1:2005, *Low voltage electrical installations – Part 1: Fundamental principles, assessment of general characteristics, definitions*

IEC 60364-4-41, *Low voltage electrical installations – Part 4-41: Protection for safety – Protection against electric shock*

IEC 60364-4-44, *Electrical installations of buildings – Part 4-44: Protection for safety – Protection against voltage disturbances and electromagnetic disturbances*

IEC 60364-5-54, *Electrical installations of buildings – Part 5-54: Selection and erection of electrical equipment – Earthing arrangements, protective conductors and protective bonding conductors*

IEC 60603-7 (all subparts), *Connectors for frequencies below 3 MHz for use with printed boards – Part 7: Detail specification for connectors, 8-way, including fixed and free connectors with common mating features, with assessed quality*

IEC 60757, *Code for designation of colours*

IEC 60793 (all parts), *Optical fibres*

IEC 60794 (all parts), *Optical fibre cables*

IEC 60807-2, *Rectangular connectors for frequencies below 3 MHz – Part 2: Detail specification for a range of connectors, with assessed quality, with trapezoidal shaped metal shells and round contacts – Fixed solder contact types*

IEC 60807-3, *Rectangular connectors for frequencies below 3 MHz – Part 3: Detail specification for a range of connectors with trapezoidal shaped metal shells and round contacts – Removable crimp contact types with closed crimp barrels, rear insertion/rear extraction*

IEC 60825-2, *Safety of laser products – Part 2: Safety of optical fibre communication systems (OFCS)*

IEC 60874-10 (all subparts), *Connectors for optical fibres and cables – Part 10: Detail specification for fibre optic connector type BFOC/2,5 terminated to multimode fibre type A1*

IEC 60874-14 (all subparts), *Connectors for optical fibres and cables – Part 14: Detail specification for fibre optic connector type SC/PC standard terminated to multimode fibre type A1a, A1b*

IEC 60947-5-2, *Low-voltage switchgear and controlgear – Part 5-2: Control circuit devices and switching elements – Proximity switches*

IEC 60950-1:2005, *Information technology equipment – Safety – Part 1: General requirements*

IEC 61076-2-101, *Connectors for electronic equipment – Product requirements – Part 2-101: Detail specification for circular connectors M12 with screw-locking¹*

IEC 61076-3-106, *Connectors for electronic equipment – Product requirements – Part 3-106: Rectangular connectors – Detail specification for protective housings for use with 8-way shielded and unshielded connectors for industrial environments incorporating the IEC 60603-7 series interface*

IEC/PAS 61076-3-117, *Connectors for electronic equipment - Product requirements – Part 3-117: Rectangular connectors – Protective housings for use with 8-way shielded and unshielded connectors for frequencies up to 600 MHz for industrial environments incorporating IEC 60603-7*

IEC 61158-2, *Industrial communication networks – Fieldbus specifications – Part 2: Physical layer specification and service definition*

IEC 61754-2, *Fibre optic connector interfaces – Part 2: Type BFOC/2,5 connector family*

IEC 61754-4, *Fibre optic connector interfaces – Part 4: Type SC connector family*

IEC 61754-20, *Fibre optic connector interfaces – Part 20: Type LC connector family*

IEC 61754-22, *Fibre optic connector interfaces – Part 22: Type F-SMA connector family*

¹ To be published.

IEC 61784-1, *Industrial communication networks – Profiles – Part 1: Fieldbus profiles*

IEC 61784-2, *Industrial communication networks – Profiles – Part 2: Additional fieldbus profiles for real-time networks based on ISO/IEC 8802-3*

IEC 61784-3, *Industrial communication networks – Profiles – Part 3: Functional safety fieldbuses – General rules and profile definitions*

IEC 61784-4, *Industrial communication networks – Profiles – Part 4: Profiles for secure communications in industrial networks (in preparation)*

IEC 61784-5 series, *Industrial communication networks – Profiles –*

Part 5-2: Installation of fieldbuses – Installation profiles for CPF 2

Part 5-3: Installation of fieldbuses – Installation profiles for CPF 3

Part 5-6: Installation of fieldbuses – Installation profiles for CPF 6

Part 5-10: Installation of fieldbuses – Installation profiles for CPF 10

Part 5-11: Installation of fieldbuses – Installation profiles for CPF 11

IEC 61935-1:2005, *Testing of balanced communication cabling in accordance with ISO/IEC 11801 – Part 1: Installed cabling*

IEC 62439, *Industrial communication networks – High availability automation networks¹*

IEC 62443, *Security for industrial process measurement and control – Network and system security (in preparation)*

ISO/IEC 8802-3, *Information technology – Telecommunications and information exchange between systems – Local and metropolitan area networks – Specific requirements – Part 3: Carrier sense multiple access with collision detection (CSMA/CD) access method and physical layer specifications*

ISO/IEC 11801:2002, *Information technology – Generic cabling for customer premises*

ISO/IEC 14763-1, *Information technology – Implementation and operation of customer premises cabling – Part 1: Administration*

ISO/IEC 14763-2, *Information technology – Implementation and operation of customer premises cabling – Part 2: Planning and installation*

ISO/IEC 14763-3, *Information technology – Implementation and operation of customer premises cabling – Part 3: Testing of optical fibre cabling*

ISO/IEC 18010, *Information technology – Pathways and spaces for customer premises cabling*

ISO/IEC 24702:2006, *Information technology – Generic cabling – Industrial premises*

EN 50377-6-1, *Connector sets and interconnect components to be used in optical fibre communication systems, Product specifications, Part 6-1: Type SC-RJ terminated on IEC 60793-2 category A1a and A1b multimode fibre*

EN 122120, *Sectional specification: Radio frequency coaxial connectors series TNC*

ANSI/NFPA T3.5.29 R1-2003, *Fluid power systems and components – Electrically-controlled industrial valves – Interface dimensions for electrical connectors*

Withdrawn

SOMMAIRE

AVANT-PROPOS	160
INTRODUCTION	162
1 Domaine d'application	166
2 Références normatives	166
3 Termes, définitions et abréviations	169
3.1 Termes et définitions	169
3.2 Abréviations	176
3.3 Conventions relatives aux profils d'installation	178
4 Projet d'installation	178
4.1 Introduction	178
4.1.1 Objectif	178
4.1.2 Câblage dans les locaux industriels	178
4.1.3 Processus de planification	181
4.1.4 Exigences spécifiques pour les profils de communication	182
4.1.5 Exigences spécifiques de câblage générique conformément à l'ISO/CEI 24702	182
4.2 Exigences de planification	182
4.2.1 Sécurité	182
4.2.2 Sécurité	183
4.2.3 Considérations environnementales et compatibilité électromagnétique	183
4.2.4 Exigences spécifiques de câblage générique conformément à l'ISO/CEI 24702	185
4.3 Fonctionnalités du réseau	185
4.3.1 Topologie de réseau	185
4.3.2 Caractéristiques du réseau	187
4.4 Sélection et utilisation des composants de câblage	191
4.4.1 Sélection du câble	191
4.4.2 Sélection du matériel de connexion	195
4.4.3 Connexions dans un canal/une liaison permanente	196
4.4.4 Terminaisons	202
4.4.5 Emplacement et connexion de l'appareil	202
4.4.6 Codage et étiquetage	202
4.4.7 Mise à la terre et mise au même potentiel du matériel et des appareils et câblage blindé	203
4.4.8 Stockage et transport des câbles	213
4.4.9 Acheminement des câbles	213
4.4.10 Séparation des circuits	215
4.4.11 Protection mécanique des composants de câblage	215
4.4.12 Installation dans des zones particulières	216
4.5 Documentation de planification du câblage	216
4.5.1 Description commune	216
4.5.2 Documentation de planification du câblage pour les profils de communication	216
4.5.3 Documentation de certification du réseau	217
4.5.4 Documentation de planification du câblage relative au câblage générique conformément à l'ISO/CEI 24702	217

4.6	Vérification de la spécification de planification du câblage.....	217
5	Mise en œuvre de l'installation	217
5.1	Exigences générales	217
5.1.1	Description commune	217
5.1.2	Installation des profils de communication.....	217
5.1.3	Installation du câblage générique dans des locaux industriels	217
5.2	Installation des câbles.....	217
5.2.1	Exigences générales pour tous les types de câblage	217
5.2.2	Installation et acheminement	223
5.2.3	Exigences spécifiques pour les profils de communication	225
5.2.4	Exigences spécifiques pour l'installation sans fil.....	225
5.2.5	Exigences spécifiques de câblage générique conformément à l'ISO/CEI 24702.....	225
5.3	Installation de connecteur	225
5.3.1	Description commune	225
5.3.2	Connecteurs blindés.....	225
5.3.3	Connecteurs non blindés	226
5.3.4	Exigences spécifiques pour les profils de communication	226
5.3.5	Exigences spécifiques pour l'installation sans fil.....	226
5.3.6	Exigences spécifiques de câblage générique conformément à l'ISO/CEI 24702.....	226
5.4	Installation des terminaisons	226
5.4.1	Description commune.....	226
5.4.2	Exigences spécifiques pour les profils de communication	226
5.5	Installation de l'appareil.....	226
5.5.1	Description commune.....	226
5.5.2	Exigences spécifiques pour les profils de communication	226
5.6	Codage et étiquetage	226
5.6.1	Description commune.....	226
5.6.2	Exigences spécifiques pour les profils de communication	227
5.7	Mise à la terre et mise au même potentiel du matériel et des appareils et câblage blindé.....	227
5.7.1	Description commune.....	227
5.7.2	Mise au même potentiel et mise à la terre des enveloppes et des chemins.....	227
5.7.3	Méthodes de mise à la terre	229
5.7.4	Méthodes de mise à la terre du blindage	231
5.7.5	Exigences spécifiques pour les profils de communication	233
5.7.6	Exigences spécifiques de câblage générique conformément à l'ISO/CEI 24702.....	233
5.8	Documentation du câblage en l'état.....	233
6	Installation, vérification et essai de réception de l'installation	233
6.1	Introduction	233
6.2	Vérification de l'installation.....	233
6.2.1	Généralités.....	233
6.2.2	Vérification conformément à la documentation de planification du câblage	234
6.2.3	Vérification de la mise à la terre et de la mise au même potentiel.....	236
6.2.4	Vérification de la mise à la terre du blindage	237
6.2.5	Vérification du système de câblage	237

6.2.6	Vérification de la sélection du câble.....	238
6.2.7	Vérification du connecteur	238
6.2.8	Vérification de la connexion.....	238
6.2.9	Vérification des terminaisons	240
6.2.10	Vérification du codage et de l'étiquetage	240
6.2.11	Rapport de vérification	240
6.3	Essai de réception de l'installation	240
6.3.1	Généralités.....	240
6.3.2	Essai de réception du câblage Ethernet.....	243
6.3.3	Essai de réception du câblage non Ethernet	246
6.3.4	Exigences spécifiques pour l'installation sans fil.....	246
6.3.5	Rapport d'essai de réception	247
7	Administration de l'installation	247
7.1	Généralités.....	247
7.2	Domaines couverts par l'administration	247
7.3	Principes de base du système d'administration	247
7.4	Procédures de travail	248
7.5	Etiquetage de l'emplacement de l'appareil.....	248
7.6	Etiquetage du câblage des composants.....	248
7.7	Documentation	249
7.8	Exigences spécifiques pour l'administration.....	250
8	Maintenance et dépannage de l'installation	250
8.1	Généralités.....	250
8.2	Entretien	251
8.2.1	Entretien systématique.....	251
8.2.2	Maintenance conditionnée par l'état.....	253
8.2.3	Entretien correctif.....	253
8.3	Dépannage.....	253
8.3.1	Présentation générale.....	253
8.3.2	Évaluation du problème.....	254
8.3.3	Problèmes classiques.....	254
8.3.4	Procédure de dépannage.....	257
8.3.5	Procédure de dépannage simplifiée.....	259
8.4	Exigences spécifiques de maintenance et de dépannage	261
Annexe A (informative)	Introduction au câblage générique des locaux industriels	262
Annexe B (informative)	Méthodologie de description MICE	263
B.1	Généralités.....	263
B.2	Présentation de MICE.....	263
B.3	Exemples d'utilisation du concept MICE	264
B.3.1	Description commune.....	264
B.3.2	Exemples d'atténuation	265
B.4	Détermination de la classification E.....	267
B.5	Table MICE	269
Annexe C (informative)	Topologies de réseau.....	272
C.1	Description commune.....	272
C.2	Demande totale de câble.....	272
C.3	Longueur maximale de segment de câble.....	272

C.4 Longueur maximale du réseau.....	272
C.5 Tolérance aux anomalies.....	272
C.5.1 Généralités.....	272
C.5.2 Utilisation de la redondance	272
C.5.3 Analyse des anomalies des réseaux avec redondance	272
C.6 Accès au réseau pour le diagnostic	273
C.7 Maintenabilité et ajouts en ligne	273
Annexe D (informative) Table des connecteurs	274
Annexe E (informative) Réseaux d'alimentation électrique eut égard au brouillage électromagnétique – Approches TN-C et TN-S.....	279
Annexe F (informative) Table de conversion mm ² en AWG.....	282
Annexe G (informative) Listes de contrôle de vérification du câblage installé.....	283
G.1 Introduction	283
G.2 Liste de contrôle de vérification du câblage en cuivre.....	283
G.3 Liste de contrôle de vérification du câblage à fibres optiques.....	286
Annexe H (informative) Brochage des connecteurs/câbles.....	287
H.1 Introduction	287
H.2 Construction de jeux de cord ons	287
H.2.1 Jeux de cordons droits avec connecteurs M12-4 codage D.....	287
H.2.2 Jeux de cordons de recouvrement avec connecteurs M12-4 codage D	288
H.2.3 Jeux de cordons droits à connecteurs modulaires 8 voies	288
H.2.4 Jeux de cordons de recouvrement avec connecteur modulaire 8 voies	289
H.2.5 Conversion directe d'une famille de connecteurs à une autre	290
H.2.6 Conversion de recouvrement d'une famille de connecteurs à une autre	290
Annexe I (informative) Lignes directrices pour la terminaison des extrémités de câble.....	292
I.1 Introduction	292
I.2 Lignes directrices pour la terminaison des extrémités de câble à paire torsadée blindé pour fiches modulaires 8 voies	292
I.3 Lignes directrices pour la terminaison des extrémités de câble à paire torsadée non blindé pour fiches modulaires 8 voies	295
I.4 Lignes directrices pour l'installation du connecteur M12-4 codage D	296
I.5 Lignes directrices pour la terminaison des extrémités de câble à fibres optiques	299
Annexe J (informative) Recommandations relatives aux performances des connexions à cloison et aux performances d'un canal comportant plus de 4 connexions	300
J.1 Introduction	300
J.2 Recommandations	300
Annexe K (informative) Essais de transfert de données de bus de terrain	301
K.1 Contexte.....	301
K.2 Taux d'erreurs admissibles des systèmes de commande	301
K.2.1 Erreurs de bit	301
K.2.2 Salves d'erreurs	301
K.3 Essai des performances du canal	302
K.4 Essai des paramètres du câble.....	302
K.4.1 Généralités.....	302
K.4.2 Essai de câble générique	302
K.4.3 Essai de câble de bus de terrain	303

K.5 Essai des performances de vitesse de transmission de données du bus de terrain.....	303
K.5.1 Généralités.....	303
K.5.2 Essai de bus de terrain.....	303
K.5.3 Planification de l'essai de vitesse de transmission de données du bus de terrain	303
K.5.4 Modèle de génération de rapport d'essai de vitesse de transmission des données du bus de terrain.....	304
K.5.5 Valeurs de performances acceptables du bus de terrain.....	304
Annexe L (informative) Responsabilité relative aux travaux d'installation du réseau de communication.....	305
L.1 Introduction	305
L.2 Responsabilité relative aux travaux d'installation.....	305
L.3 Tableau des responsabilités relatives aux travaux d'installation.....	305
Annexe M (informative) Appellations commerciales des profils de communication	306
Annexe N (informative) Mesures de validation	310
N.1 Généralités.....	310
N.2 Mesures de la résistance en courant continu	310
N.2.1 But de l'essai	310
N.2.2 Hypothèses	310
N.2.3 Mesures	310
N.2.4 Calculs.....	312
N.2.5 Résultats de mesure	313
Bibliographie.....	318
Figure 1 – Cycle de vie de l'installation de réseau industriel	164
Figure 2 – Relations entre les normes.....	165
Figure 3 – Structure du câblage générique connecté à un îlot d'automatisation	179
Figure 4 – Câblage d'îlot d'automatisation fixé à des éléments de câblage générique.....	180
Figure 5 – Îlots d'automatisation.....	180
Figure 6 – Connexions externes du réseau d'îlots d'automatisation	181
Figure 7 – Comment satisfaire aux conditions environnementales.....	184
Figure 8 – Fonctionnement commun de l'amélioration, de l'isolation et de la séparation	185
Figure 9 – Topologies physiques de base des réseaux passifs	186
Figure 10 – Topologies physiques de base des réseaux actifs	187
Figure 11 – Exemple de combinaison de topologies de base	187
Figure 12 – Modèle de mise en œuvre de référence de base	197
Figure 13 – Modèle de mise en œuvre de référence améliorée	199
Figure 14 – Sélection des systèmes de mise à la terre et de mise au même potentiel.....	206
Figure 15 – Câblage de mise au même potentiel et de mise à la terre dans une configuration en maillage équipotentiel	209
Figure 16 – Câblages des terres dans une configuration de mise à la terre en étoile	210
Figure 17 – Schéma de principe d'un appareil de bus de terrain avec mise à la terre directe	211
Figure 18 – Schéma de principe d'un appareil de bus de terrain avec mise à la terre du circuit RC parallèle	212
Figure 19 – Insertion de protecteur d'arête	219

Figure 20 – Utilisation d'un appareil de déroulage et prévention de formation de boucle	219
Figure 21 – Prévention de la torsion	220
Figure 22 – Maintien du rayon de courbure minimal	220
Figure 23 – Ne pas tirer par les fils individuels.....	221
Figure 24 – Utilisation de colliers de câble avec une grande (large) surface	221
Figure 25 – Presse-étoupe avec protection de courbure	221
Figure 26 – Tube en spirale	222
Figure 27 – Séparation de câbles dans les chemins.....	224
Figure 28 – Préparation de surface pour les connexions de mise à la terre et de mise au même potentiel électromagnétiques	228
Figure 29 – Utilisation de tresses de métallisations souples dans les chemins métalliques mobiles	229
Figure 30 – Exemple de barre omnibus isolée.....	230
Figure 31 – Exemple d'isolateur pour le montage de glissières DIN	230
Figure 32 – Mise à la terre d'un blindage RC parallèle	231
Figure 33 – Mise à la terre directe du blindage	231
Figure 34 – Exemples d'application de blindage.....	232
Figure 35 – Premier exemple de dérivées de mise à la terre du blindage	232
Figure 36 – Deuxième exemple de dérivées de mise à la terre du blindage.....	232
Figure 37 – Processus de vérification de l'installation	236
Figure 38 – Essai des connexions de mise à la terre	236
Figure 39 – Attribution de groupe de broches et de paires pour deux connecteurs de sous-parties CEI 60603-7 huit positions et quatre positions série CEI 60603 à CEI 61076-2-101	239
Figure 40 – Connecteur modulaire 8 voies à deux paires	239
Figure 41 – Paires transposées, paires séparées et paires inversées	240
Figure 42 – Processus de validation	243
Figure 43 – Représentation schématique du canal.....	244
Figure 44 – Représentation schématique de la liaison permanente	244
Figure 45 – Maintenance du réseau de communication	253
Figure 46 – Procédure de dépannage	259
Figure 47 – Détection des défauts sans outil particulier	261
Figure B.1 – Classifications MICE	263
Figure B.2 – Exemple de zones MICE dans une installation	264
Figure B.3 – Amélioration, isolation et séparation	265
Figure B.4 – Exemple 1 d'atténuation	266
Figure B.5 – Exemple 2 d'atténuation	266
Figure B.6 – Gamme de fréquences des perturbations électromagnétiques générées par des appareils industriels communs	267
Figure B.7 – Exemple de lignes directrices générales relatives aux valeurs de séparation/transitoire électrique rapide	269
Figure E.1 – Réseau d'alimentation électrique à quatre fils (TN-C)	280
Figure E.2 – Réseau d'alimentation électrique à cinq fils (TN-S)	281
Figure H.1 – Jeux de cordons droits avec connecteur M12-4 codage D.....	287
Figure H.2 – Jeux de cordons de recouvrement avec connecteur M12-4 codage D	288

Figure H.3 – Jeux de cordons droits avec connecteurs modulaires 8 voies	288
Figure H.4 – Jeux de cordons de recouvrement avec connecteur modulaire 8 voies	289
Figure H.5 – Conversion d'un connecteur M12-4 à un connecteur modulaire 8 voies.....	290
Figure H.6 – Câble de recouvrement de connecteur modulaire M12-4 à 8 voies.....	291
Figure I.1 – Dénudage du câble	292
Figure I.2 – Exemple de préparation de fil pour les câbles de type A	293
Figure I.3 – Fiche modulaire 8 voies	294
Figure I.4 – Insertion du câble dans le corps du connecteur.....	294
Figure I.5 – Sertissage du connecteur.....	295
Figure I.6 – Exemple de préparation de câble pour un câblage de type A	296
Figure I.7 – Composants de connecteur.....	297
Figure I.8 – Préparation du câble	297
Figure I.9 – Presse-étoupe, écrou et boîtier du connecteur sur le câble.....	297
Figure I.10 – Préparation des conducteurs.....	297
Figure I.11 – Retrait de la gaine.....	297
Figure I.12 – Préparation du blindage	297
Figure I.13 – Préparation des conducteurs.....	298
Figure I.14 – Installation des conducteurs dans le connecteur	298
Figure I.15 – Assemblage du corps du connecteur.....	298
Figure I.16 – Assemblage final.....	298
Figure N.1 – Mesure de la résistance de boucle fil à fil	311
Figure N.2 – Mesure de la résistance de boucle fil 1/blindage.....	311
Figure N.3 – Mesure de la résistance de boucle fil 2/blindage.....	311
Figure N.4 – Mesure de la résistance pour la détection des courts-circuits de fil.....	312
Figure N.5 – Mesure de la résistance entre le fil 1 et le fil 2.....	312
Figure N.6 – Validation de la résistance en courant continu du câble.....	314
Figure N.7 – Conclusions pour ouverture ou courts-circuits de câble	316
Figure N.8 – Détermination de la valeur de terminaison de câble correcte valeur.....	317
Tableau 1 – Caractéristiques du réseau de base pour le câblage symétrique ne reposant pas sur Ethernet.....	188
Tableau 2 – Caractéristiques du réseau pour le câblage symétrique reposant sur Ethernet.....	189
Tableau 3 – Caractéristiques du réseau pour le câblage à fibres optiques	190
Tableau 4 – Informations relatives au câble en cuivre: câbles fixes	192
Tableau 5 – Informations relatives au câble en cuivre: cordons	192
Tableau 6 – Informations relatives aux câbles à fibres optiques.....	193
Tableau 7 – Connecteurs pour les profils de communication de câblage symétrique reposant sur Ethernet	195
Tableau 8 – Connecteurs pour les profils de communication de câblage en cuivre ne reposant pas sur Ethernet.....	195
Tableau 9 – Matériel de connexion à fibres optiques.....	196
Tableau 10 – Equations de mise en œuvre de référence de base	198
Tableau 11 – Equations de mise en œuvre de référence améliorée	200

Tableau 12 – Facteur de correction Z pour une température de fonctionnement supérieure à 20 °C.....	200
Tableau 13 – Dimension et longueur des conducteurs d'égalisation et de mise à la terre.....	204
Tableau 14 – Section des tresses de métallisation.....	206
Tableau 15 – Protection de surface des plaquettes de métallisation.....	206
Tableau 16 – Types de circuit de câble et distances minimales.....	215
Tableau 17 – Paramètres des câbles symétriques.....	218
Tableau 18 – Paramètres des câbles à fibres optiques en silice.....	218
Tableau 19 – Paramètres des câbles à fibres optiques plastique.....	218
Tableau 20 – Paramètres des câbles HCS.....	218
Tableau 21 – Problèmes classiques d'un réseau équipé d'un câblage symétrique.....	254
Tableau 22 – Problèmes classiques d'un réseau équipé d'un câblage à fibres optiques.....	256
Tableau B.1 – Exemple 1 de zone MICE ciblée.....	265
Tableau B.2 – Exemple 2 de zone MICE ciblée.....	266
Tableau B.3 – Relation entre les appareils générateurs de perturbations électromagnétiques et la classification E.....	268
Tableau B.4 – Mécanisme de couplage de chacun des appareils brouilleurs.....	268
Tableau B.5 – Définition MICE.....	270
Tableau D.1 – Conventions en matière de code couleur utilisées dans la table des connecteurs.....	274
Tableau D.2 – Tableau des connecteurs.....	275
Tableau F.1 – Table de conversion approximative pour les calibres de fils couramment utilisés.....	282
Tableau G.1 – Liste de contrôle de vérification du câblage en cuivre.....	283
Tableau G.2 – Liste de contrôle des mesures de mise à la terre et de mise au même potentiel.....	284
Tableau G.3 – Signatures pour les listes de contrôle du Tableau G.1 et du Tableau G.2.....	285
Tableau G.4 – Liste de contrôle des vérifications particulières des profils de communication non Ethernet.....	285
Tableau G.5 – Signatures de la liste de contrôle du Tableau G.4.....	285
Tableau G.6 – Liste de contrôle de vérification du câblage à fibres optiques.....	286
Tableau G.7 – Signatures de la liste de contrôle du Tableau G.6.....	286
Tableau H.1 – Attribution paire de fils /broche de connecteur M12-4 codage D.....	287
Tableau H.2 – Attribution paire de fils /broche de connecteur de recouvrement M12 à M12.....	288
Tableau H.3 – Attribution paire de fils /broche de connecteur modulaire 8 voies.....	289
Tableau H.4 – Attribution paire de fils /broche de connecteur de recouvrement modulaire 8 voies.....	289
Tableau H.5 – Attribution de broche de connectivité.....	290
Tableau H.6 – Attribution paire de fils /broche de connecteur de recouvrement modulaire M12 à 8 voies.....	291
Tableau J.1 – Exigences de transmission pour plus de 4 connexions dans un canal.....	300
Tableau M.1 – Appellations commerciales des familles de profils de communication et des profils de communication.....	306

COMMISSION ÉLECTROTECHNIQUE INTERNATIONALE

RÉSEAUX DE COMMUNICATION INDUSTRIELS –

Installation des réseaux de communication dans les locaux industriels

AVANT-PROPOS

- 1) La Commission Électrotechnique Internationale (CEI) est une organisation mondiale de normalisation composée de l'ensemble des comités électrotechniques nationaux (Comités nationaux de la CEI). La CEI a pour objet de favoriser la coopération internationale pour toutes les questions de normalisation dans les domaines de l'électricité et de l'électronique. A cet effet, la CEI – entre autres activités – publie des normes internationales, des spécifications techniques, des rapports techniques et des guides (ci-après dénommés "Publication(s) de la CEI"). Leur élaboration est confiée à des comités d'études, aux travaux desquels tout Comité national intéressé par le sujet traité peut participer. Les organisations internationales, gouvernementales et non gouvernementales, en liaison avec la CEI, participent également aux travaux. La CEI collabore étroitement avec l'Organisation Internationale de Normalisation (ISO), selon des conditions fixées par accord entre les deux organisations.
- 2) Les décisions ou accords officiels de la CEI concernant les questions techniques représentent, dans la mesure du possible, un accord international sur les sujets étudiés, étant donné que les Comités nationaux de la CEI intéressés sont représentés dans chaque comité d'études.
- 3) Les Publications de la CEI se présentent sous la forme de recommandations internationales et sont agréées comme telles par les Comités nationaux de la CEI. Tous les efforts raisonnables sont entrepris afin que la CEI s'assure de l'exactitude du contenu technique de ses publications; la CEI ne peut pas être tenue responsable de l'éventuelle mauvaise utilisation ou interprétation qui en est faite par un quelconque utilisateur final.
- 4) Dans le but d'encourager l'uniformité internationale, les Comités nationaux de la CEI s'engagent, dans toute la mesure possible, à appliquer de façon transparente les Publications de la CEI dans leurs publications nationales et régionales. Il convient que toutes divergences entre toutes Publications de la CEI et toutes publications nationales ou régionales correspondantes soient indiquées en termes clairs dans ces dernières.
- 5) La CEI n'a prévu aucune procédure de marquage valant indication d'approbation et n'engage pas sa responsabilité pour les équipements déclarés conformes à l'une de ses Publications.
- 6) Il convient que tous les utilisateurs s'assurent qu'ils sont en possession de la dernière édition de cette publication.
- 7) Il convient qu'aucune responsabilité ne soit imputée à la CEI, à ses administrateurs, employés, auxiliaires ou mandataires, y compris ses experts particuliers et les membres de ses comités d'études et des Comités nationaux de la CEI, pour tout préjudice causé en cas de dommages corporels et matériels, ou de tout autre dommage de quelque nature que ce soit, directe ou indirecte, ou pour supporter les coûts (y compris les frais de justice) et les dépenses découlant de la publication ou de l'utilisation de cette Publication de la CEI ou de toute autre Publication de la CEI, ou au crédit qui lui est accordé.
- 8) L'attention est attirée sur les références normatives citées dans cette publication. L'utilisation de publications référencées est obligatoire pour une application correcte de la présente publication.
- 9) L'attention est attirée sur le fait que certains des éléments de la présente Publication de la CEI peuvent faire l'objet de droits de propriété intellectuelle ou de droits analogues. Il convient que la CEI ne soit pas tenue pour responsable de ne pas avoir identifié de tels droits de propriété et de ne pas avoir signalé leur existence.

La Norme internationale CEI 61918 a été établie par le sous-comité 65C: Réseaux industriels, du comité d'études 65 de la CEI: Mesure, commande et automation dans les processus industriels.

La présente norme doit être utilisée conjointement avec la série CEI 61784-5 relative à l'installation des profils de communication (CP). La présente norme doit être utilisée conjointement avec l'ISO/CEI 14763-2 relative à l'installation de câblage générique conformément à l'ISO/CEI 24702.

NOTE Pour des informations complémentaires, voir l'introduction.

La présente norme a été développée avec l'aide de l'ISO/CEI JTC1/SC25, chargé de l'ISO/CEI 24702.

La présente version bilingue (2014-11) correspond à la version anglaise monolingue publiée en 2007-12.

Le texte anglais de cette norme est issu des documents 65C/467/FDIS et 65C/478/RVD.

Le rapport de vote 65C/478/RVD donne toute information sur le vote ayant abouti à l'approbation de cette norme.

La version française de cette norme n'a pas été soumise au vote.

Cette publication a été rédigée selon les Directives ISO/CEI, Partie 2.

Le comité a décidé que le contenu de cette publication ne sera pas modifié avant la date de maintenance indiquée sur le site web de la CEI sous "<http://webstore.iec.ch>" dans les données relatives à la publication recherchée. A cette date, la publication sera:

- reconduite;
- supprimée;
- remplacée par une édition révisée, ou
- amendée.

Le contenu du corrigendum de février 2009 a été pris en considération dans cet exemplaire.

IMPORTANT – Le logo "*colour inside*" qui se trouve sur la page de couverture de cette publication indique qu'elle contient des couleurs qui sont considérées comme utiles à une bonne compréhension de son contenu. Les utilisateurs devraient, par conséquent, imprimer cette publication en utilisant une imprimante couleur.

Withhold

INTRODUCTION

L'automatisation des processus et des usines repose de plus en plus sur des réseaux de communication et des bus de terrain naturellement conçus pour gérer les conditions d'environnement spécifiques des locaux industriels. Les réseaux et bus de terrain assurent l'intégration efficace des applications entre les unités fonctionnelles de la centrale/l'usine. Par conséquent, l'intégration de données générées sur le terrain avec des systèmes de gestion de haut niveau peut réduire les coûts de production tout en maintenant ou en augmentant la quantité et la qualité de production. Il est important d'installer correctement le réseau pour assurer la disponibilité et les performances des communications. Ceci exige de considérer correctement les aspects importants des sites d'automatisation industrielle comme les topologies, les conditions climatiques, les vibrations, la pollution chimique, la CEM, la sécurité fonctionnelle.

Les spécifications de ces réseaux de communication sont fournies dans les normes suivantes.

L'ISO/CEI 24702 spécifie la conception des infrastructures de télécommunication génériques dans les locaux industriels et constitue la base de certaines spécifications de performance de transmission indiquées dans la présente norme. L'ISO/CEI 24702 spécifie uniquement la fonctionnalité de largeur de bande brute d'un canal. Elle ne précise pas la vitesse de transfert de données utile d'un réseau particulier utilisant ce canal, ni les erreurs prévues après avoir pris en compte l'interférence pendant le processus de communication.

La norme de bus de terrain CEI 61158 et ses normes d'accompagnement CEI 61784 (y compris les parties 1, 2, 3, 4 et sous-parties pertinentes) spécifient plusieurs profils de communication pour les automatismes industriels. Ces profils de communication spécifient une fonctionnalité de largeur de bande brute et, en outre, des règles de modulation et de codage binaires pour leur bus de terrain. Certains profils spécifient également des niveaux cibles de vitesse de transfert de données utile, ainsi que des valeurs maximales d'erreur générées par les interférences pendant le processus de communication.

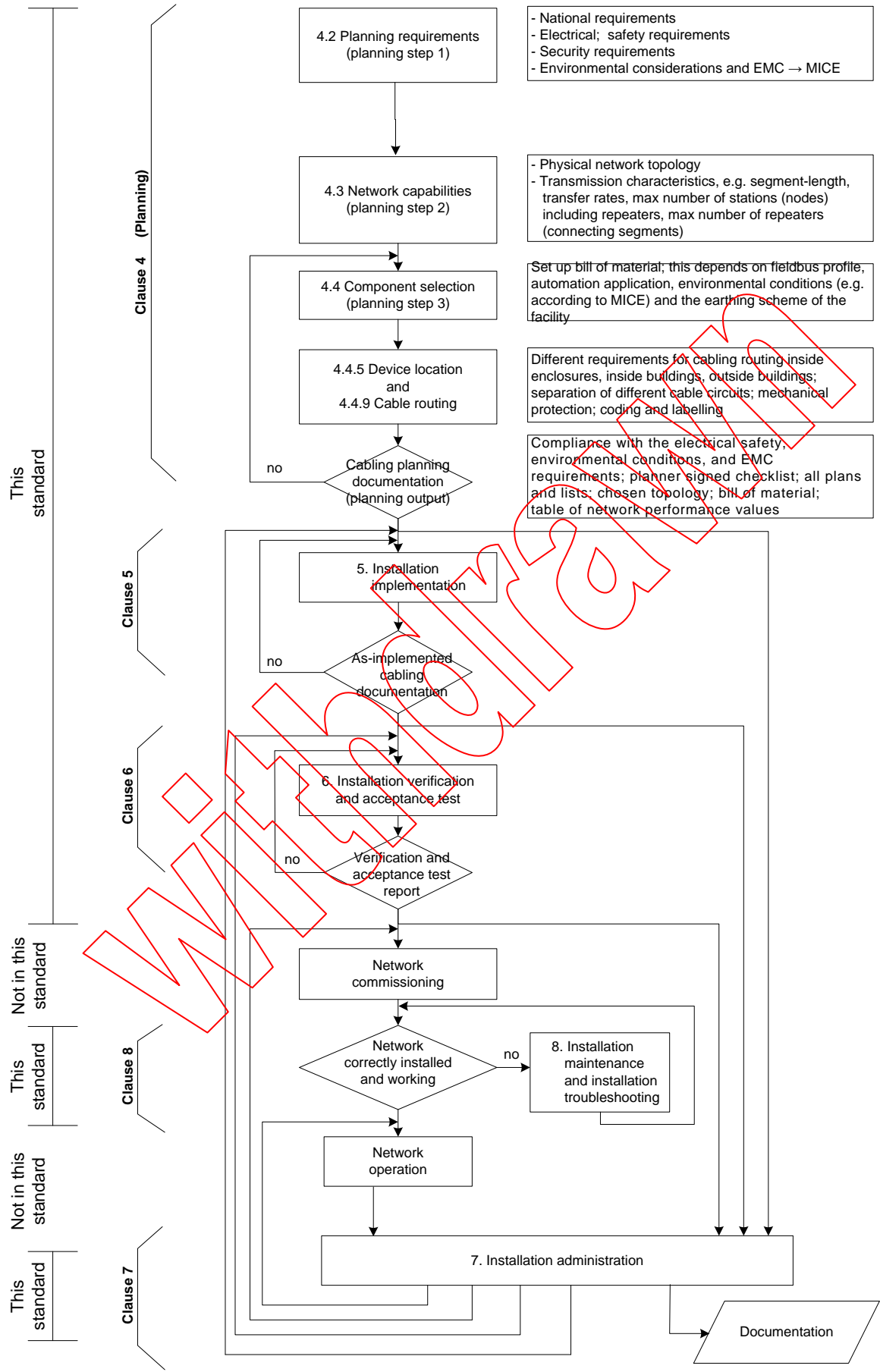
La présente norme précise un ensemble cohérent de règles d'installation destinées au câblage générique (des infrastructures de télécommunication) et aux bus de terrain dans les locaux industriels. Elle cherche à remédier à une situation créée lorsque différentes parties d'un important site d'automatisation sont fournies par des fournisseurs qui s'appuient sur des directives d'installation hétérogènes, dont les structures et le contenu sont différents. Il en résulte un risque que le système de communication ne puisse pas fonctionner correctement.

La présente norme a été développée suite à l'harmonisation des approches de plusieurs groupes d'utilisateurs et consortiums industriels.

La présente norme offre un point de référence commun pour l'installation du support des réseaux de communication industriels les plus utilisés dans la plupart des sites industriels. Les articles ci-dessous abordent le cycle de vie d'une installation (voir la carte de la norme à la Figure 1):

- Article 4: Projet d'installation;
- Article 5: Mise en œuvre de l'installation;
- Article 6: Vérification et essai d'acceptation de l'installation;
- Article 7: Administration de l'installation;
- Article 8: Maintenance et dépannage de l'installation.

Les méthodes présentées dans ces articles s'adressent à un large éventail de techniciens.



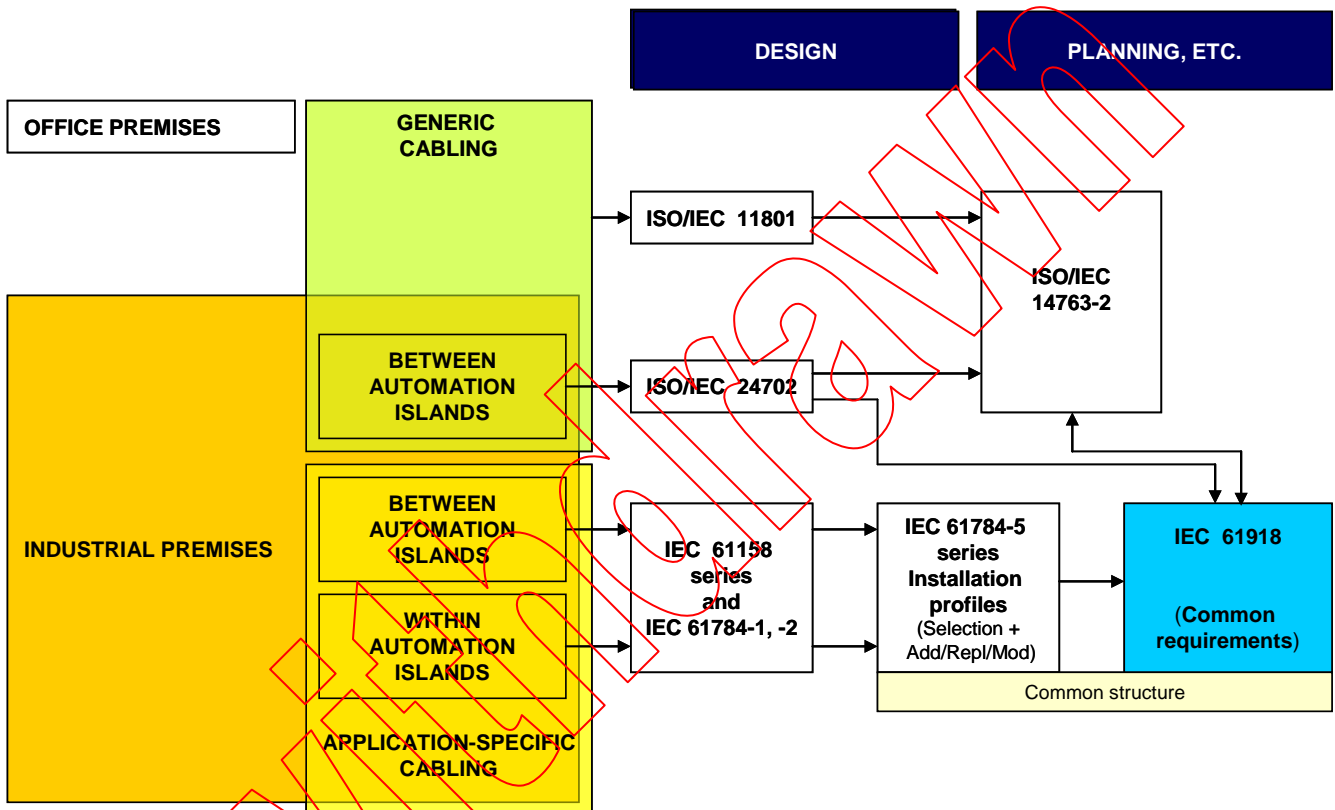
Anglais	Français
Planning requirements (planning step 1)	Exigences de planification (étape 1 de la planification)
National requirements	Exigences nationales
Electrical ; safety requirements	Exigences de sécurité électrique
Security requirements	Exigences de sécurité
Environmental considerations and EMC - MICE	Considérations environnementales et compatibilité électromagnétique - MICE
Network capabilities (planning step 2)	Capacités du réseau (étape 2 de la planification)
Physical network topology	Topologie de réseau physique
Transmission characteristics, e.g. segment-length, transfer rates, max number of stations (nodes) including repeaters, max number of repeaters (connecting segments)	Caractéristiques de transmission (longueur de segment, vitesses de transfert des données, nombre max de stations (nœuds) contenant des répéteurs, nombre max de répéteurs (segments de connexion), par exemple)
Component selection (planning step 3)	Sélection du composant (étape 3 de la planification)
Set up bill of material; this depends on fieldbus profile, automation application, environmental conditions (e.g. according to MICE) and the earthing scheme of the facility	Définition de la nomenclature. Dépend du profil du bus de terrain, de l'application d'automatisation, des conditions environnementales (selon le MICE, par exemple) et du schéma de mise à la terre de l'installation
4.4.5 Device location and 4.4.9 Cable routing	4.4.5 Emplacement du dispositif et 4.4.9 Câble
no	non
Cabling planning documentation (planning output)	Documentation de planification du câblage (résultat de la planification)
Different requirements for cabling routing inside enclosures, inside buildings, outside buildings; separation of different cable circuits; mechanical protection; coding and labelling	Différentes exigences d'acheminement des câbles à l'intérieur des enceintes, à l'intérieur et à l'extérieur des bâtiments. Séparation des différents circuits de câble. Protection mécanique. Codage et étiquetage
Compliance with the electrical safety, environmental conditions, and EMC requirements; Planner signed checklist; all plans and lists; chosen topology; bill of material; table of network performance values	Conformité aux exigences de sécurité électrique, de conditions environnementales et de compatibilité électromagnétique. Liste de contrôle signée par le planificateur. Tous les plans et toutes les listes. Topologie choisie. Nomenclature. Table des valeurs de performances du réseau.
Installation implementation	Mise en œuvre de l'installation
As-implemented cabling documentation	Documentation du câblage en l'état
Installation verification and acceptance test report	Vérification de l'installation et rapport d'essai de réception
Verification and acceptance test report	Vérification et essai de réception
Network commissioning	Mise en service du réseau
Installation maintenance and installation troubleshooting	Maintenance et dépannage de l'installation
Network operation	Fonctionnement du réseau
Installation administration	Administration de l'installation
Documentation	Documentation
This standard	La présente norme
Not in this standard	Pas la présente norme
Clause 4 (planning)	Article 4 (planification)
Clause 5	Article 5
Clause 6	Article 6
Clause 8	Article 8
Clause 7	Article 7
Network correctly installed and working	Réseau correctement installé et fonctionnant

Figure 1 – Cycle de vie de l'installation de réseau industriel

Pour chaque système de communication, la présente norme doit être utilisée en relation avec le profil d'installation correspondant qui définit les sélections, ajouts et remplacements des paragraphes de cette norme qui s'appliquent.

Eu égard aux profils de communication (CP) des familles de profils de communication (CPF) définies dans la série CEI 61784, les profils d'installation correspondants sont disponibles dans la série CEI 61784-5-x, où x est le numéro de CPF x. La CEI/TR 61158-1 décrit les relations entre le bus de terrain et les profils de communication, ainsi que les profils d'installation correspondants (voir Figure 2).

Pour l'installation du câblage générique, la présente norme doit être utilisée conjointement avec l'ISO/CEI 14763-2 (voir Figure 2).



Légende	
Anglais	Français
OFFICE PREMISES	LOCAUX COMMERCIAUX
GENERIC CABLING	CABLAGE GÉNÉRIQUE
BETWEEN AUTOMATION ISLANDS	ENTRE ILOTS D'AUTOMATISATION
INDUSTRIAL PREMISES	LOCAUX INDUSTRIELS
WITHIN AUTOMATION ISLANDS	DANS LES ILOTS D'AUTOMATISATION
APPLICATION-SPECIFIC CABLING	CABLAGE SPÉCIFIQUE À L'APPLICATION
DESIGN	CONCEPTION
PLANNING, ETC.	PLANIFICATION, ETC.
ISO/IEC 11801	ISO/CEI 11801
ISO/IEC 24702	ISO/CEI 24702
ISO/IEC 14763-2	ISO/CEI 14763-2
IEC 61158 series and IEC 61784-1, -2	Série CEI 61158 et CEI 61784-1 et 2
IEC 61784-5 series Installation profiles (Selection + Add/Repl/Mod)	Série CEI 61784-5 Profils d'installation (Sélection + Ajout/Repl/Mod)
IEC 61918 (Common Requirements)	CEI 61918 (Exigences communes)
Common structure	Structure commune

Figure 2 – Relations entre les normes

RÉSEAUX DE COMMUNICATION INDUSTRIELS –

Installation des réseaux de communication dans les locaux industriels

1 Domaine d'application

La présente Norme internationale spécifie les exigences de base pour l'installation d'un support de réseaux de communication dans des locaux industriels et à l'intérieur et entre des îlots d'automatisation de sites industriels. La présente norme couvre le câblage symétrique et à fibres optiques. Elle couvre également l'infrastructure de câblage des supports sans fil, mais pas le support sans fil lui-même. D'autres supports sont couverts par la série CEI 61784-5.

Il s'agit d'une norme d'accompagnement aux réseaux de communication des îlots d'automatisation industrielle et, particulièrement, les réseaux de communication spécifiés dans la série CEI 61158 et la série CEI 61784. De plus, la présente norme couvre:

- l'installation de câblage de télécommunication générique pour les locaux industriels (voir ISO/CEI 24702);
- la connexion entre le câblage de télécommunication générique spécifié dans l'ISO/CEI 24702 et le câblage de communication spécifique d'un îlot d'automatisation, dans laquelle une prise d'automatisation (AO) remplace la prise de télécommunication (TO) de l'ISO/CEI 24702.

NOTE Si l'interface utilisée au niveau de la prise d'automatisation n'est pas conforme à celle spécifiée pour la prise de télécommunication de l'ISO/CEI 24702, le câblage n'est plus conforme à l'ISO/CEI 24702, même si certaines caractéristiques (notamment les performances) du câblage générique peuvent être conservées.

La présente norme donne les lignes directrices relatives aux aspects critiques de l'automatisation industrielle (les topologies, les conditions climatiques, les vibrations, la pollution chimique, la CEM, la sécurité fonctionnelle, la sécurité, etc.).

La présente norme aborde les rôles des planificateurs, des installateurs, des vérificateurs et du personnel réalisant les essais d'acceptation, du personnel d'administration et de maintenance, et précise les responsabilités de chacun et/ou donne des lignes directrices.

2 Références normatives

Les documents de référence suivants sont indispensables pour l'application du présent document. Pour les références datées, seule l'édition citée s'applique. Pour les références non datées, la dernière édition du document de référence s'applique (y compris les éventuels amendements).

CEI 60079-14, *Matériel électrique pour atmosphères explosives gazeuses – Partie 14: Installations électriques dans les emplacements dangereux (autres que les mines)*

CEI 60364-1:2005, *Installations électriques à basse tension – Partie 1: Principes fondamentaux, détermination des caractéristiques générales, définitions*

CEI 60364-4-41, *Installations électriques à basse tension – Partie 4-41: Protection pour assurer la sécurité – Protection contre les chocs électriques*

CEI 60364-4-44, *Installations électriques des bâtiments – Partie 4-44: Protection pour assurer la sécurité – Protection contre les perturbations de tension et les perturbations électromagnétiques*

CEI 60364-5-54, *Installations électriques des bâtiments – Partie 5-54: Choix et mise en œuvre des matériels électriques – Installations de mise à la terre et conducteurs de protection*

CEI 60603-7 (toutes les sous-parties), *Connecteurs pour fréquences inférieures à 3 MHz pour utilisation avec cartes imprimées - Partie 7: Spécification particulière pour connecteurs à 8*

voies, comprenant des embases et des fiches ayant des caractéristiques d'accouplement communes, avec assurance de la qualité

CEI 60757, Code de désignation de couleurs

CEI 60793 (toutes les parties), Fibres optiques

CEI 60794 (toutes les parties), Câbles à fibres optiques

CEI 60807-2, Connecteurs rectangulaires utilisés aux fréquences inférieures à 3 MHz – Partie 2: Spécification particulière pour une gamme de connecteurs, avec assurance de la qualité, ayant les boîtiers métalliques de forme trapézoïdale et les contacts ronds – Types de contacts à braser fixes

CEI 60807-3, Connecteurs rectangulaires utilisés aux fréquences inférieures à 3 MHz – Partie 3: Spécification particulière pour une gamme de connecteurs ayant les boîtiers métalliques de forme trapézoïdale et les contacts ronds – Types de contacts à sertir démontables avec fûts fermés, à insérer et à extraire par l'arrière de l'isolant

CEI 60825-2, Sécurité des appareils à laser – Partie 2: sécurité des systèmes de télécommunication par fibres optiques (STFO)

IEC 60874-10 (toutes les sous-parties), Connectors for optical fibres and cables – Part 10: Detail specification for fibre optic connector type BFOC/2,5 terminated to multimode fibre type A1

IEC 60874-14 (toutes les sous-parties), Connectors for optical fibres and cables – Part 14: Detail specification for fibre optic connector type SC/PC standard terminated to multimode fibre type A1a, A1b

CEI 60947-5-2, Appareillage à basse tension – Partie 5-2: Appareils et éléments de commutation pour circuits de commande – Détecteurs de proximité

CEI 60950-1:2005, Matériels de traitement de l'information – Sécurité – Partie 1: Exigences générales

CEI 61076-2-101, Connecteurs pour équipements électroniques – Exigences de produit – Partie 2-101: Connecteurs circulaires – Spécification particulière pour les connecteurs M12 à vis¹

CEI 61076-3-106, Connecteurs pour équipements électroniques – Exigences de produit – Partie 3-106: Connecteurs rectangulaires – Spécification particulière pour boîtiers de protection utilisés avec des connecteurs blindés et non blindés 8 voies pour des environnements industriels incorporant l'interface série CEI 60603-7

CEI/PAS 61076-3-117, Connecteurs pour équipements électroniques – Exigences de produit – Partie 3-117: Connecteurs rectangulaires – Spécification particulière pour boîtiers de protection utilisés avec des connecteurs blindés et non blindés à 8 voies dans des environnements industriels incorporant l'interface série 60603-7

CEI 61158-2, Réseaux de communication industriels – Spécifications des bus de terrain – Partie 2: Spécification de couches physique et définition des services

CEI 61754-2, Interfaces de connecteurs pour fibres optiques – Partie 2: Famille de connecteurs de type BFOC/2,5

CEI 61754-4, Interfaces de connecteurs pour fibres optiques – Partie 4: Famille de connecteurs du type SC

CEI 61754-20, Interfaces de connecteurs pour fibres optiques – Partie 20: famille de connecteurs de type LC

¹ À publier.

CEI 61754-22, *Interfaces de connecteurs pour fibres optiques – Partie 22: Famille de connecteurs de type F-SMA*

CEI 61784-1, *Réseaux de communication industriels – Profils – Partie 1: Profils de bus de terrain*

CEI 61784-2, *Réseaux de communication industriels – Profils – Partie 2: Profils de bus de terrain supplémentaires pour les réseaux en temps réel basés sur l'ISO/CEI 8802-3*

CEI 61784-3, *Réseaux de communication industriels – Profils – Partie 3: Bus de terrain de sécurité fonctionnelle – Règles générales et définitions de profils*

IEC 61784-4, *Industrial communication networks – Profiles – Part 4: Profiles for secure communications in industrial networks* (en cours de préparation)

CEI 61784-5, *Réseaux de communication industriels – Profils –*

Partie 5-2: Installation des bus de terrain – Profils d'installation pour CPF 2

Partie 5-3: Installation des bus de terrain – Profils d'installation pour CPF 3

Parties 5-6: Installation des bus de terrain – Profils d'installation pour CPF 6

Parties 5-10: Installation des bus de terrain – Profils d'installation pour CPF 10

Parties 5-11: Installation des bus de terrain – Profils d'installation pour CPF 11

CEI 61935-1:2005, *Spécification pour les essais de câblage de télécommunications équilibrées selon l'ISO/CEI 11801 – Partie 1: Câblages installés*

CEI 62439, *Réseaux de communication industriels – Réseaux de haute disponibilité pour l'automatisation*¹

IEC 62443, *Security for industrial process measurement and control – Network and system security* (en cours de préparation)

ISO/CEI 8802-3, *Technologies de l'information – Télécommunications et échange d'information entre systèmes – Réseaux locaux et métropolitains – Prescriptions spécifiques – Partie 3: Accès multiple par surveillance du signal et détection de collision (CSMA/CD) et spécifications pour la couche physique*

ISO/CEI 11801:2002, *Technologies de l'information – Câblage générique des locaux d'utilisateurs*

ISO/CEI 14763-1, *Technologies de l'information – Implémentation et fonctionnement du câblage dans les réseaux d'usagers – Partie 1: Administration*

ISO/CEI 14763-2, *Technologies de l'information – Implémentation et fonctionnement du câblage dans les réseaux d'usagers – Partie 2: Planification et installation*

ISO/CEI 14763-3, *Technologies de l'information – Implémentation et fonctionnement du câblage dans les réseaux d'usagers – Partie 3: Contrôle du câblage de fibre optique*

ISO/CEI 18010, *Technologies de l'information – Cheminements et espaces pour câblages des locaux des clients*

ISO/CEI 24702:2006, *Technologies de l'information – Câblage générique – Locaux industriels*

EN 50377-6-1, *Jeux de connecteurs et composants d'inter-connexion à utiliser dans les systèmes de communication par fibres optiques - Spécifications de produit, Partie 6-1: SC-RJ raccordé à une fibre multimode pour la catégorie A1a et A1b conformément à la CEI 60793-2*

EN 122120, *Sectional specification: Radio frequency coaxial connectors series TNC*

ANSI/NFPA T3.5.29 R1-2003, *Fluid power systems and components – Electrically-controlled industrial valves – Interface dimensions for electrical connectors*