



INTERNATIONAL STANDARD

NORME INTERNATIONALE



**Explosive atmospheres –
Part 1: Equipment protection by flameproof enclosures “d”**

**Atmosphères explosives –
Partie 1: Protection du matériel par enveloppes antidéflagrantes «d»**

INTERNATIONAL
ELECTROTECHNICAL
COMMISSION

COMMISSION
ELECTROTECHNIQUE
INTERNATIONALE

ICS 29.260.20

ISBN 978-2-8322-1663-7

**Warning! Make sure that you obtained this publication from an authorized distributor.
Attention! Veuillez vous assurer que vous avez obtenu cette publication via un distributeur agréé.**

CONTENTS

FOREWORD.....	8
1 Scope.....	16
2 Normative references	16
3 Terms and definitions	17
4 Level of protection (equipment protection level, EPL)	19
4.1 General.....	19
4.2 Requirements for level of protection “da”	19
4.3 Requirements for level of protection “db”	20
4.4 Requirements for level of protection “dc”.....	20
4.4.1 General	20
4.4.2 Construction of “dc” devices	20
4.4.3 Tests for “dc” devices	20
5 Flameproof joints.....	21
5.1 General requirements	21
5.2 Non-threaded joints	22
5.2.1 Width of joints (<i>L</i>)	22
5.2.2 Gap (<i>i</i>).....	22
5.2.3 Spigot joints.....	22
5.2.4 Holes in joint surfaces	23
5.2.5 Conical joints.....	25
5.2.6 Joints with partial cylindrical surfaces (not permitted for Group IIC).....	25
5.2.7 Flanged joints for acetylene atmospheres	26
5.2.8 Serrated joints	26
5.2.9 Multi-step joints	27
5.3 Threaded joints	30
5.4 Gaskets (including O-rings).....	30
5.5 Equipment using capillaries	32
6 Sealed joints.....	32
6.1 Cemented joints	32
6.1.1 General	32
6.1.2 Mechanical strength.....	32
6.1.3 Width of cemented joints	33
6.2 Fused glass joints	33
6.2.1 General	33
6.2.2 Width of fused glass joints	33
7 Operating rods.....	33
8 Supplementary requirements for shafts and bearings.....	34
8.1 Joints of shafts	34
8.1.1 General	34
8.1.2 Cylindrical joints	34
8.1.3 Labyrinth joints	34
8.1.4 Joints with floating glands.....	34
8.2 Bearings	36
8.2.1 Sleeve bearings.....	36
8.2.2 Rolling-element bearings	36

9	Light-transmitting parts	36
10	Breathing and draining devices which form part of a flameproof enclosure	37
10.1	General.....	37
10.2	Openings for breathing or draining	37
10.3	Composition limits.....	37
10.4	Dimensions	37
10.5	Elements with measurable paths.....	37
10.6	Elements with non-measurable paths	37
10.7	Removable devices.....	38
10.7.1	General	38
10.7.2	Mounting arrangements of the elements	38
10.8	Mechanical strength.....	38
10.9	Breathing devices and draining devices when used as Ex components	38
10.9.1	General	38
10.9.2	Mounting arrangements of the elements and components.....	38
10.9.3	Type tests for breathing and draining devices used as Ex components	38
10.9.4	Ex component certificate	41
11	Fasteners and openings	42
12	Materials	43
13	Entries for flameproof enclosures	44
13.1	General.....	44
13.2	Threaded holes.....	44
13.3	Non-threaded holes (for Group I only).....	44
13.4	Cable glands.....	45
13.5	Conduit sealing devices	45
13.6	Plugs and sockets and cable couplers	46
13.7	Bushings.....	47
13.8	Blanking elements.....	47
14	Verification and tests	47
15	Type tests	48
15.1	General.....	48
15.2	Tests of ability of the enclosure to withstand pressure	49
15.2.1	General	49
15.2.2	Determination of explosion pressure (reference pressure)	49
15.2.3	Overpressure test.....	52
15.3	Test for non-transmission of an internal ignition	53
15.3.1	General	53
15.3.2	Electrical equipment of Groups I, IIA and IIB.....	55
15.3.3	Electrical equipment of Group IIC	56
15.4	Tests of flameproof enclosures with breathing and draining devices	57
15.4.1	General	57
15.4.2	Tests of ability of the enclosure to withstand pressure	57
15.4.3	Thermal tests.....	58
15.4.4	Test for non-transmission of an internal ignition.....	58
15.5	Tests for “dc” devices	59
15.5.1	General	59
15.5.2	Preparation of “dc” samples.....	59
15.5.3	Test conditions for “dc” devices	59

16	Routine tests	60
16.1	General.....	60
16.2	Enclosures not incorporating a welded construction	61
16.3	Enclosures incorporating a welded construction	61
16.4	Bushings not specific to one flameproof enclosure	61
16.5	Acceptance criteria	61
16.6	Batch testing.....	61
17	Switchgear for Group I.....	62
17.1	General.....	62
17.2	Means of isolation.....	62
17.2.1	General	62
17.3	Doors or covers	62
17.3.1	Quick-acting doors or covers	62
17.3.2	Doors or covers fixed by screws	62
17.3.3	Threaded doors or covers.....	63
18	Lampholders and lamp caps	63
18.1	General.....	63
18.2	Device preventing lamps working loose.....	63
18.3	Holders and caps for lamps with cylindrical caps.....	63
18.4	Holders for lamps with threaded caps	63
19	Non-metallic enclosures and non-metallic parts of enclosures	63
19.1	General.....	63
19.2	Resistance to tracking and creepage distances on internal surfaces of the enclosure walls	64
19.3	Requirements for type tests	64
19.4	Test of erosion by flame.....	64
20	Marking	64
20.1	General.....	64
20.2	Caution and warning markings	65
20.3	Informative markings.....	65
21	Instructions.....	65
	Annex A (normative) Additional requirements for crimped ribbon elements and multiple screen elements of breathing and draining devices	66
	Annex B (normative) Additional requirements for elements, with non-measurable paths of breathing and draining devices	67
	B.1 Sintered metal elements	67
	B.2 Pressed metal wire elements	67
	B.3 Metal foam elements.....	68
	Annex C (normative) Additional requirements for flameproof entry devices	69
	C.1 General.....	69
	C.2 Constructional requirements	69
	C.2.1 Sealing methods.....	69
	C.2.2 Flameproof joints.....	70
	C.2.3 Constructional requirements for Ex blanking elements	71
	C.2.4 Constructional requirements for Ex thread adapters.....	73
	C.3 Type tests.....	73
	C.3.1 Sealing test	73
	C.3.2 Test of mechanical strength.....	74

C.3.3	Type tests for Ex blanking elements	75
C.3.4	Type tests for Ex thread adapters	76
Annex D (normative)	Empty flameproof enclosures as Ex components.....	78
D.1	General.....	78
D.2	Introductory remarks	78
D.3	Ex component enclosure requirements.....	78
D.4	Utilization of an Ex component enclosure certificate to prepare an equipment certificate	80
D.4.1	Procedure.....	80
D.4.2	Application of the schedule of limitations	80
Annex E (normative)	Cells and batteries used in flameproof “d” enclosures	81
E.1	Introductory remarks	81
E.2	Acceptable electrochemical systems	81
E.3	General requirements for cells (or batteries) inside flameproof enclosures	82
E.4	Arrangement of safety devices	82
E.4.1	Prevention of excessive temperature and cell damage.....	82
E.4.2	Prevention of cell polarity reversal or reverse charging by another cell in the same battery	83
E.4.3	Prevention of inadvertent charging of a battery by other voltage sources in the enclosure	83
E.5	Recharging of secondary cells inside flameproof enclosures	84
E.6	Rating of protection diodes and reliability of protection devices.....	85
Annex F (informative)	Mechanical properties for screws and nuts	86
Annex G (normative)	Additional requirements for flameproof enclosures with an internal source of release (containment system)	87
G.1	General.....	87
G.2	Release conditions.....	87
G.2.1	No release	87
G.2.2	Limited release of a gas or vapour	88
G.2.3	Limited release of a liquid.....	88
G.3	Design requirements for the containment system	88
G.3.1	General design requirements	88
G.3.2	Infallible containment system	88
G.3.3	Containment system with a limited release	89
G.4	Type tests for the containment system	89
G.4.1	Overpressure test	89
G.4.2	Leakage test for an infallible containment system	89
G.4.3	Leakage test for a containment system with a limited release	90
Annex H (normative)	Requirements for machines with flameproof “d” enclosures fed from converters.....	91
H.1	General.....	91
H.2	Construction requirements for bearings.....	91
H.3	Temperature requirements	91
Bibliography	92
Figure 1 – Example of construction for indirect checking of a flanged Group I flameproof joint.....		22
Figure 2 – Spigot joints		23
Figure 3 – Holes in surfaces of flanged joints, example 1		24

Figure 4 – Holes in surfaces of flanged joints, example 2.....	24
Figure 5 – Holes in surfaces of flanged joints, example 3.....	24
Figure 6 – Holes in surfaces of spigot joints, example 1.....	24
Figure 7 – Holes in surfaces of spigot joints, example 2.....	25
Figure 8 – Holes in surfaces of spigot joints, example 3.....	25
Figure 9 – Examples of joint constructions.....	26
Figure 10 – Illustration of the requirements concerning gaskets – Example 1.....	31
Figure 11 – Illustration of the requirements concerning gaskets – Example 2.....	31
Figure 12 – Illustration of the requirements concerning gaskets – Example 3.....	31
Figure 13 – Illustration of the requirements concerning gaskets – Example 4.....	31
Figure 14 – Illustration of the requirements concerning gaskets – Example 5.....	31
Figure 15 – Illustration of the requirements concerning gaskets – Example 6.....	31
Figure 16 – Illustration of the requirements concerning gaskets – Example 7.....	32
Figure 17 – Example of cylindrical joint for shaft of rotating electrical machine.....	35
Figure 18 – Example of labyrinth joint for shaft of rotating electrical machine.....	35
Figure 19 – Example of joint with floating gland for shaft of rotating electrical machine.....	35
Figure 20 – Joints of shaft glands of rotating electrical machines.....	36
Figure 21 – Component test rig for breathing and draining devices.....	39
Figure 22 – Example of possible documentation.....	45
Figure 23 – Example of a regular shaped waveform.....	51
Figure 24 – Example of an irregular shaped waveform.....	51
Figure C.1 – Examples of blanking elements for unused entries.....	72
Figure C.2 – Device for the sealing tests for cable glands.....	74
Figure C.3 – Examples of Ex thread adapters.....	77
Figure E.1 – Fitting of diode arrangement for three cells in series.....	83
Figure E.2 – Fitting of blocking diodes to meet E.4.3 (third example).....	84
Figure G.1 – Flameproof enclosure with containment system.....	87
Table 1 – Number of non-transmission tests for level of protection “da”.....	20
Table 2 – Minimum width of joint and maximum gap for enclosures of Groups I, IIA and IIB.....	28
Table 3 – Minimum width of joint and maximum gap for Group IIC enclosures.....	29
Table 4 – Cylindrical threaded joints.....	30
Table 5 – Taper threaded joints ^{a, c}	30
Table 6 – Conditions for the determination of maximum surface temperature.....	48
Table 7 – Test factors for reduced ambient conditions.....	50
Table 8 – Relative pressures for small equipment.....	52
Table 9 – Reduction in length of a threaded joint for non-transmission test.....	54
Table 10 – Test factors to increase pressure or test gap (i_E).....	54
Table 11 – Minimum distance of obstructions from flameproof “d” flange openings.....	54
Table 12 – Gas/air mixtures.....	55
Table 13 – Static pressures.....	60
Table 14 – Text of caution or warning markings.....	65

Table 15 – Text of informative markings.....	65
Table C.1 – Tightening torque values, metric	76
Table C.2 – Tightening torque values, NPT.....	77
Table E.1 – Acceptable primary cells	81
Table E.2 – Acceptable secondary cells.....	82
Table F.1 – Mechanical properties for screws and nuts.....	86

INTERNATIONAL ELECTROTECHNICAL COMMISSION

EXPLOSIVE ATMOSPHERES –

Part 1: Equipment protection by flameproof enclosures “d”

FOREWORD

- 1) The International Electrotechnical Commission (IEC) is a worldwide organization for standardization comprising all national electrotechnical committees (IEC National Committees). The object of IEC is to promote international co-operation on all questions concerning standardization in the electrical and electronic fields. To this end and in addition to other activities, IEC publishes International Standards, Technical Specifications, Technical Reports, Publicly Available Specifications (PAS) and Guides (hereafter referred to as “IEC Publication(s)”). Their preparation is entrusted to technical committees; any IEC National Committee interested in the subject dealt with may participate in this preparatory work. International, governmental and non-governmental organizations liaising with the IEC also participate in this preparation. IEC collaborates closely with the International Organization for Standardization (ISO) in accordance with conditions determined by agreement between the two organizations.
- 2) The formal decisions or agreements of IEC on technical matters express, as nearly as possible, an international consensus of opinion on the relevant subjects since each technical committee has representation from all interested IEC National Committees.
- 3) IEC Publications have the form of recommendations for international use and are accepted by IEC National Committees in that sense. While all reasonable efforts are made to ensure that the technical content of IEC Publications is accurate, IEC cannot be held responsible for the way in which they are used or for any misinterpretation by any end user.
- 4) In order to promote international uniformity, IEC National Committees undertake to apply IEC Publications transparently to the maximum extent possible in their national and regional publications. Any divergence between any IEC Publication and the corresponding national or regional publication shall be clearly indicated in the latter.
- 5) IEC itself does not provide any attestation of conformity. Independent certification bodies provide conformity assessment services and, in some areas, access to IEC marks of conformity. IEC is not responsible for any services carried out by independent certification bodies.
- 6) All users should ensure that they have the latest edition of this publication.
- 7) No liability shall attach to IEC or its directors, employees, servants or agents including individual experts and members of its technical committees and IEC National Committees for any personal injury, property damage or other damage of any nature whatsoever, whether direct or indirect, or for costs (including legal fees) and expenses arising out of the publication, use of, or reliance upon, this IEC Publication or any other IEC Publications.
- 8) Attention is drawn to the Normative references cited in this publication. Use of the referenced publications is indispensable for the correct application of this publication.
- 9) Attention is drawn to the possibility that some of the elements of this IEC Publication may be the subject of patent rights. IEC shall not be held responsible for identifying any or all such patent rights.

International Standard IEC 60079-1 has been prepared by IEC technical committee 31: Equipment for explosive atmospheres.

This seventh edition cancels and replaces the sixth edition, published in 2007, and constitutes a technical revision.

The significance of the changes between IEC 60079-1, Edition 7.0 (2014) and IEC 60079-1 Edition 6.0 (2007) (including Corrigendum 1 (2008)), is as listed below:

Explanation of the significance of the changes	Clause	Type		
		Minor and editorial changes	Extension	Major technical changes
Normative references (Removal of the edition date from the reference for IEC 60079-0)	2	X		
Requirements for level of protection “da” (Catalytic sensors of portable combustible gas detectors)	4.2		X	
Requirements for level of protection “dc” (“Enclosed break” devices from IEC 60079-15)	4.4, 15.5	X		
Flameproof joints, General requirements (Documentation clarification and examples of corrosion inhibiting grease)	5.1	X		
Flameproof joints, General requirements (Specific Conditions of Use that joints are not intended to be repaired)	5.1		X	
Flameproof joints, General requirements (Electroplating more than 0,008 mm thick)	5.1		X	
Non-threaded joints, Gap (<i>i</i>) (Intentional gaps between surface for flanged joints)	5.2.2	X		
Serrated joints (Use and test requirements)	5.2.8	X		
Multi-step joints (Not less than 3 adjacent segments and two path changes)	5.2.9		X	
Minimum width of joint and maximum gap for enclosures of groups IIA and IIB (Maximum gaps for flanged, cylindrical or spigot joints of 9,5 mm minimum width and volume greater than 2 000 cm ³)	Table 2		X	
Minimum width of joint and maximum gap for enclosures of groups I, IIA, IIB and IIC (ISO 80000-1 for constructional value rounding)	Table 2, Table 3	X		
Cylindrical threaded joints (ISO 965-1 standard in respect of thread form or quality of fit)	Table 4	X		
Taper threaded joints (External and internal thread construction)	Table 5	X		
Cemented joints (Supplemental mechanical means of securement)	6.1.2			C1
Cemented joints (Evaluation criteria if there is leakage)	6.1.2		X	
Fused glass joints (Glass-to-metal joints)	6.2		X	
Thermal tests of breathing and draining devices (Temperature class based on external surface temperature after the 10 min test period)	10.9.3.2	X		
Test of the ability of the breathing and draining device to withstand pressure (Relocated from before thermal tests to after the non-transmission test)	10.9.3.4	X		

Explanation of the significance of the changes	Clause	Type		
		Minor and editorial changes	Extension	Major technical changes
Ex component certificate (Service temperature range for non-metallic enclosures per IEC 60079-0)	10.9.4	X		
Fasteners and openings (Relocation of blanking element content to 13.8 and C.2.3)	11	X		
Fasteners and openings, Property class or yield stress (Certificate specific condition of use)	11.3	X		
Fasteners and openings (Openings in the wall of the enclosure)	11.8	X		
Materials (Material limitation in acetylene atmospheres)	12.8			C2
Entries for flameproof enclosures, General (Metric and NPT threaded entries)	13.1	X		
Entries for flameproof enclosures, General (Group I non-threaded joints)	13.1		X	
Entries for flameproof enclosures, Non-threaded holes (Group I application)	13.3		X	
Entries for flameproof enclosures, Cable glands (Group I application)	13.4		X	
Cable glands, Conduit sealing devices (Documentation to facilitate mounting)	13.4,13.5	X		
Plugs and sockets and cable couplers (Load requirement for arc-quenching test)	13.6.4			C3
Bushings (Documentation to facilitate mounting)	13.7	X		
Blanking elements (Relocated from Clause 11)	13.8	X		
Verification and tests (Maximum surface temperature conditions)	Table 6	X		
Type tests (Sequence and number of samples for tests)	15	X		
Determination of explosion pressure, General (Devices that can cause turbulence)	15.2.2.2	X		
Determination of explosion pressure, General (Number of tests for Group IIC)	15.2.2.2	X		
Determination of explosion pressure, General (Pressure pilling for Group IIB)	15.2.2.4	X		
Determination of explosion pressure, General (Equipment marked for a single gas)	15.2.2.5	X		
Overpressure test, General (Low ambient overpressure tests not required)	15.2.3	X		
Overpressure test – First method (static) (3 times option when routine batch testing)	15.2.3.2		X	

Explanation of the significance of the changes	Clause	Type		
		Minor and editorial changes	Extension	Major technical changes
Overpressure test – First method (static) <i>(Adjustment for low ambient due to small size of equipment)</i>	15.2.3.2		X	
Overpressure test – Second method (dynamic) <i>(Number of tests to be made)</i>	15.2.3.3	X		
Test for non-transmission of an internal ignition <i>(Clarification regarding grease)</i>	15.3	X		
Reduction in length of a threaded joint for non-transmission test <i>(ISO 965-1 and 965-3 standards in respect of thread form and quality of fit)</i>	Table 9	X		
Test factors to increase pressure or test gap <i>(Group IIC adjustments for elevated ambients)</i>	Table 10	X		
Test for non-transmission of an internal ignition, Groups I, IIA and IIB <i>(Number of tests to be made)</i>	15.3.2.3	X		
Test for non-transmission of an internal ignition, Group IIC testing by increased gap <i>(Number of tests to be made)</i>	15.3.3.2	X		
Test for non-transmission of an internal ignition, Group IIC <i>(Oxygen enrichment of test gases)</i>	15.3.3.4		X	
Thermal tests of enclosures with breathing and draining devices <i>(Temperature class based on external surface temperature after the 10 min test period)</i>	15.4.3.1	X		
Tests for “dc” devices <i>(“Enclosed break” devices from IEC 60079-15)</i>	15.5		X	
Routine tests, General <i>(Adjustment for low ambient due to small size of equipment)</i>	16.1.2		X	
Routine tests, General <i>(Options when second method is chosen)</i>	16.1.3	X		
Routine tests, General <i>(Welded joint inspection options)</i>	16.3		X	
Routine tests, General <i>(Allowance for batch testing)</i>	16.6		X	
Switchgear for Group I <i>(Clarifying need for compliance with EPL Mb types of protection)</i>	17.2.2, 17.2.3	X		
Non-metallic enclosures and non-metallic parts of enclosures, General <i>(Exception for cemented joints)</i>	19.1	X		
Non-metallic enclosures and non-metallic parts of enclosures, Resistance to tracking and creepage distances <i>(Reference to both IEC 60079-7 and or IEC 60079-15)</i>	19.2		X	
Non-metallic enclosures and non-metallic parts of enclosures, Requirements for type tests <i>(Clarification of test sequence)</i>	19.3	X		

Explanation of the significance of the changes	Clause	Type		
		Minor and editorial changes	Extension	Major technical changes
Instructions <i>(Indication that repair of flamepaths is not intended)</i>	21		X	
Bushings <i>(Documentation regarding numbers of cores)</i>	C.2.1.4	X		
Bushings <i>(Criteria for non-transmission test)</i>	C.2.1.4	X		
Bushings <i>(Evaluation criteria if there is leakage)</i>	C.2.1.4		X	
Flameproof joints, Threaded joints <i>(Requirement options)</i>	C.2.2.1	X		
Flameproof joints, Non-threaded joints <i>(Group I application)</i>	C.2.2.2		X	
Constructional requirements for Ex blanking elements <i>(Relocated from Clause 11)</i>	C.2.3.1	X		
Constructional requirements for Ex blanking elements <i>(Metric and NPT Ex blanking elements)</i>	C.2.3.2, C.2.3.3	X		
Constructional requirements for Ex blanking elements <i>(Group I non-threaded construction)</i>	C.2.3.4		X	
Sealing test, General <i>(Allowance for re-tightening)</i>	C.3.1.1	X		
Cable glands and conduit sealing devices with sealing ring <i>(Mandrel to be corrosion-resistant metal)</i>	C.3.1.2	X		
Type tests for Ex blanking elements, Torque test <i>(Test-block to be steel)</i>	C.3.3.1	X		
Tightening torque values <i>(Addition of < 16 mm thread size)</i>	Table C.1		X	
Tightening torque values <i>(Addition of NPT thread sizes)</i>	Table C.2		X	
Ex component enclosure requirements <i>(Markings content)</i>	D.3.8			C4
Ex component enclosure requirements <i>(Certificate content)</i>	D.3.10		X	
Utilization of an Ex component enclosure certificate to prepare an equipment certificate, Procedure <i>(Devices that can create significant turbulence)</i>	D.4.1		X	
Acceptable primary cells <i>(Addition of Type B cells)</i>	Table E.1		X	
Acceptable primary cells <i>(Removal of Type T cells)</i>	Table E.1			C5
Acceptable secondary cells <i>(Addition of Lithium type cells)</i>	Table E.2		X	
Prevention of excessive temperature and cell damage <i>(Application of IEC 60079-11 requirement)</i>	E.4.1.2	X		

Explanation of the significance of the changes	Clause	Type		
		Minor and editorial changes	Extension	Major technical changes
Prevention of inadvertent charging of a battery by other voltage sources in the enclosure <i>(Construction not requiring additional protection)</i>	E.4.3		X	
Recharging of secondary cells inside flameproof enclosures <i>(Additional battery options)</i>	E.5.1		X	
Introduction of an alternative risk assessment method encompassing equipment protection levels' for Ex equipment <i>(Removal of previous Informative Annex)</i>	Annex G	X		
Additional requirements for Flameproof enclosures with an internal source of release (containment system) <i>(Addition of new Normative Annex)</i>	Annex G		X	
Requirements for machines with flameproof "d" enclosures fed from converters <i>(Addition of new Normative Annex)</i>	Annex H		X	

NOTE The technical changes referred to include the significance of technical changes in the revised IEC Standard, but they do not form an exhaustive list of all modifications from the previous version. More guidance can be found by referring to the Redline Version of the standard.

Explanations:

A) Definitions

Minor and editorial changes

Clarification
decrease of technical requirements
minor technical change
editorial corrections

These are changes which modify requirements in an editorial or a minor technical way. They include changes of the wording to clarify technical requirements without any technical change, or a reduction in level of existing requirement.

Extension

addition of technical options

These are changes which add new or modify existing technical requirements, in a way that new options are given, but without increasing requirements for equipment that was fully compliant with the previous standard. Therefore, these will not have to be considered for products in conformity with the preceding edition.

Major technical changes

addition of technical requirements
increase of technical requirements

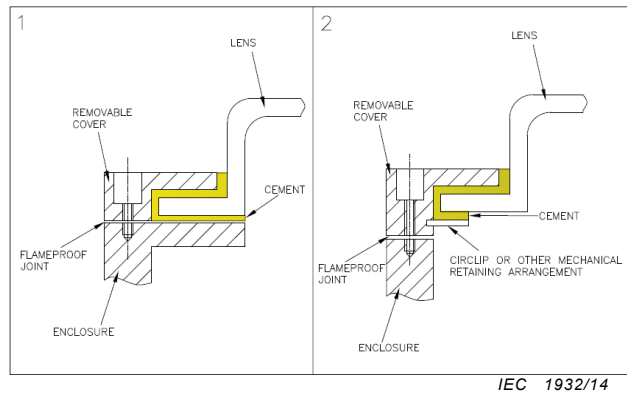
These are changes to technical requirements (addition, increase of the level or removal) made in a way that a product in conformity with the preceding edition will not always be able to fulfil the requirements given in the later edition. These changes have to be considered for products in conformity with the preceding edition. For these changes additional information is provided in clause B) below.

NOTE These changes represent current technological knowledge. However, these changes should not normally have an influence on equipment already placed on the market.

B) Information about the background of 'Major Technical Changes'

C1 – Supplemental mechanical means of securing the cemented joint shall not be defeated by the opening of doors or covers that are intended to be opened during

installation or maintenance. For example, in the images below for a luminaire incorporating a cemented joint between the lens and the enclosure cover, the construction shown in the second image would be in accordance with this requirement, while the construction shown in the first image would not.



- C2 – Addition of material limitations of enclosures of equipment and enclosures of Ex components for external mounting, if constructed of copper or copper alloys, when used in explosive gas atmospheres containing acetylene (12.8).
- C3 – Addition of power factor requirement for evaluating the ability of a plug and socket to remain flameproof during the arc-quenching period while opening a test circuit (13.6.4).
- C4 – Addition of marking requirements for Ex component enclosures, in addition to the requirements for marking of Ex components given in IEC 60079-0 (D.3.8).
- C5 – Removal of Type T cells as acceptable primary cells (Table E.1).

The text of this standard is based on the following documents:

FDIS	Report on voting
31/1111/FDIS	31/1125/RVD

Full information on the voting for the approval of this standard can be found in the report on voting indicated in the above table.

This publication has been drafted in accordance with the ISO/IEC Directives, Part 2.

A list of all parts in the IEC 60079 series, published under the general title *Explosive atmospheres*, can be found on the IEC website.

The committee has decided that the contents of this publication will remain unchanged until the stability date indicated on the IEC web site under "<http://webstore.iec.ch>" in the data related to the specific publication. At this date, the publication will be

- reconfirmed,
- withdrawn,
- replaced by a revised edition, or
- amended.

The contents of the corrigendum of June 2018 have been included in this copy.

IMPORTANT – The 'colour inside' logo on the cover page of this publication indicates that it contains colours which are considered to be useful for the correct understanding of its contents. Users should therefore print this document using a colour printer.

EXPLOSIVE ATMOSPHERES –

Part 1: Equipment protection by flameproof enclosures “d”

1 Scope

This part of IEC 60079 contains specific requirements for the construction and testing of electrical equipment with the type of protection flameproof enclosure “d”, intended for use in explosive gas atmospheres.

This standard supplements and modifies the general requirements of IEC 60079-0. Where a requirement of this standard conflicts with a requirement of IEC 60079-0, the requirement of this standard will take precedence.

2 Normative references

The following documents, in whole or in part, are normatively referenced in this document and are indispensable for its application. For dated references, only the edition cited applies. For undated references, the latest edition of the referenced document (including any amendments) applies.

IEC 60061 (all parts), *Lamp caps and holders together with gauges for the control of interchangeability and safety*

IEC 60079-0, *Explosive atmospheres – Part 0: Equipment – General requirements*

IEC 60079-7, *Explosive atmospheres – Part 7: Equipment protection by increased safety “e”*

IEC 60079-11, *Explosive atmospheres – Part 11: Equipment protection by intrinsic safety “i”*

IEC 60079-15, *Explosive atmospheres – Part 15: Equipment protection by type of protection “n”*

IEC 60127 (all parts), *Miniature fuses*

ISO 965-1, *ISO general-purpose metric screw threads – Tolerances – Part 1: Principles and basic data*

ISO 965-3, *ISO general-purpose metric screw threads – Tolerances – Part 3: Deviations for constructional screw threads*

ISO 2738, *Sintered metal materials, excluding hardmetals – Permeable sintered metal materials – Determination of density, oil content and open porosity*

ISO 4003, *Permeable sintered metal materials – Determination of bubble test pore size*

ISO 4022, *Permeable sintered metal materials – Determination of fluid permeability*

ANSI/ASME B1.20.1, *Pipe threads, general purpose (inch)*

SOMMAIRE

AVANT-PROPOS.....	100
1 Domaine d'application	109
2 Références normatives	109
3 Termes et définitions	110
4 Niveau de protection (Niveau de protection du matériel – Equipment protection level (EPL))	112
4.1 Généralités	112
4.2 Exigences applicables au niveau de protection “da”	112
4.3 Exigences applicables au niveau de protection “db”	113
4.4 Exigences applicables au niveau de protection “dc”	113
4.4.1 Généralités	113
4.4.2 Construction des dispositifs “dc”	113
4.4.3 Essais des dispositifs “dc”	114
5 Joints antidéflagrants	114
5.1 Exigences générales	114
5.2 Joints non filetés	115
5.2.1 Longueur de joint (L)	115
5.2.2 Interstice (i)	115
5.2.3 Joints à emboîtement	116
5.2.4 Perçage dans les surfaces des joints	117
5.2.5 Joints coniques	119
5.2.6 Joints avec des surfaces cylindriques partielles (non admis pour le Groupe IIC)	119
5.2.7 Joints à bride pour atmosphères contenant de l'acétylène	120
5.2.8 Joints dentelés	120
5.2.9 Joints à pas multiples	121
5.3 Joints filetés	124
5.4 Garnitures (comprenant les bagues toriques)	124
5.5 Matériels utilisant des capillaires	126
6 Joints scellés	126
6.1 Joints scellés (cémentés)	126
6.1.1 Généralités	126
6.1.2 Résistance mécanique	126
6.1.3 Longueur des joints scellés	127
6.2 Joints par fusion de verre (de verre fondu)	127
6.2.1 Généralités	127
6.2.2 Longueur des joints de verre fondu	127
7 Tiges de commande	128
8 Exigences supplémentaires pour les arbres et paliers	128
8.1 Joints des arbres	128
8.1.1 Généralités	128
8.1.2 Joints cylindriques	128
8.1.3 Joints à labyrinthe	128
8.1.4 Joints à bagues flottantes	128
8.2 Paliers	130
8.2.1 Paliers à coussinet	130

8.2.2	Paliers à roulements	131
9	Parties transparentes ou translucides	131
10	Dispositifs de respiration et de drainage faisant partie d'une enveloppe antidéflagrante	131
10.1	Généralités	131
10.2	Ouvertures pour respiration ou drainage	131
10.3	Teneurs limites	132
10.4	Dimensions	132
10.5	Éléments avec passages mesurables.....	132
10.6	Éléments avec passages non mesurables.....	132
10.7	Dispositifs démontables	132
10.7.1	Généralités	132
10.7.2	Dispositions de montage des éléments	132
10.8	Résistance mécanique	133
10.9	Dispositifs de respiration et de drainage utilisés comme composants Ex.....	133
10.9.1	Généralités	133
10.9.2	Dispositions de montage des éléments et des composants	133
10.9.3	Essais de type des dispositifs de respiration et de drainage utilisés comme composants Ex.....	133
10.9.4	Certificat de composant Ex	136
11	Fermetures et ouvertures	136
12	Matériaux	138
13	Entrées des enveloppes antidéflagrantes	139
13.1	Généralités	139
13.2	Orifices taraudés	139
13.3	Orifices non taraudés (pour le Groupe I uniquement)	140
13.4	Entrées de câbles	141
13.5	Dispositifs d'étanchéité de conduit.....	141
13.6	Prises de courant et prolongateurs de câble	142
13.7	Traversées.....	142
13.8	Éléments d'obturation	142
14	Vérification et essais	143
15	Essais de type	143
15.1	Généralités	143
15.2	Essais de tenue à la pression de l'enveloppe	144
15.2.1	Généralités	144
15.2.2	Détermination de la pression d'explosion (pression de référence).....	144
15.2.3	Essai de surpression	148
15.3	Essai de non-transmission d'une inflammation interne	149
15.3.1	Généralités	149
15.3.2	Matériels électriques des Groupes I, IIA et IIB	151
15.3.3	Matériel électrique du Groupe IIC	152
15.4	Essais des enveloppes antidéflagrantes avec dispositifs de respiration et de drainage	153
15.4.1	Généralités	153
15.4.2	Essais de tenue à la pression de l'enveloppe.....	153
15.4.3	Essais thermiques	154
15.4.4	Essai de non-transmission d'une inflammation interne	154
15.5	Essais des dispositifs "dc"	155

15.5.1	Généralités	155
15.5.2	Préparation des échantillons “dc”	155
15.5.3	Conditions d’essai des dispositifs “dc”	155
16	Essais individuels de série	156
16.1	Généralités	156
16.2	Enveloppes ne comportant aucune construction soudée	157
16.3	Enveloppes comportant une construction soudée	157
16.4	Traversées non spécifiques d’une enveloppe antidéflagrante	157
16.5	Critères d’acceptation	157
16.6	Essais par lots	158
17	Appareillage pour le Groupe I	158
17.1	Généralités	158
17.2	Organes de mise hors tension	158
17.2.1	Généralités	158
17.3	Portes ou couvercles	159
17.3.1	Portes ou couvercles à manœuvre rapide	159
17.3.2	Portes ou couvercles fixés par vis	159
17.3.3	Portes ou couvercles vissés	159
18	Douilles et culots de lampes	159
18.1	Généralités	159
18.2	Dispositif empêchant l’autodesserrage des lampes	159
18.3	Douilles et culots pour lampes à culots cylindriques	160
18.4	Douilles pour lampes à culots à vis	160
19	Enveloppes non métalliques et parties non métalliques d’enveloppes	160
19.1	Généralités	160
19.2	Résistance au courant de cheminement et lignes de fuite sur les faces internes des parois des enveloppes	160
19.3	Exigences pour les essais de type	160
19.4	Essai d’érosion par la flamme	161
20	Marquage	161
20.1	Généralités	161
20.2	Avertissement et marquages	161
20.3	Marquages informatifs	162
21	Instructions	162
Annexe A (normative) Exigences complémentaires pour les éléments du type ruban gaufre et les éléments d’écran multiples des dispositifs de respiration et de drainage		163
Annexe B (normative) Exigences complémentaires pour les éléments avec passages non mesurables pour les dispositifs de respiration et de drainage		164
B.1	Éléments en métal fritté	164
B.2	Éléments en fil métallique pressé	164
B.3	Éléments en mousse métallique	165
Annexe C (normative) Exigences supplémentaires pour les dispositifs d’entrée antidéflagrants		166
C.1	Généralités	166
C.2	Exigences de construction	166
C.2.1	Méthodes d’étanchéité	166
C.2.2	Joints antidéflagrants	168
C.2.3	Exigences de construction pour éléments d’obturation Ex	168
C.2.4	Exigences de construction pour adaptateurs filetés Ex	170

C.3	Essais de type	170
C.3.1	Essai d'étanchéité	170
C.3.2	Essai de résistance mécanique.....	172
C.3.3	Essais de type pour éléments d'obturation Ex.....	173
C.3.4	Essais de type pour adaptateurs filetés Ex	173
Annexe D (normative)	Enveloppes antidéflagrantes vides, comme composants Ex	175
D.1	Généralités	175
D.2	Remarques introductives.....	175
D.3	Exigences relatives aux enveloppes de composants Ex	175
D.4	Utilisation du certificat d'enveloppe de composants Ex pour préparer un certificat de matériel	177
D.4.1	Procédure.....	177
D.4.2	Application du programme de limitations.....	177
Annexe E (normative)	Piles et accumulateurs utilisés dans les enveloppes antidéflagrantes «d»	178
E.1	Remarques introductives.....	178
E.2	Systèmes électrochimiques admissibles.....	178
E.3	Exigences générales pour piles (ou accumulateurs) à l'intérieur d'enveloppes antidéflagrantes.....	179
E.4	Dispositions des dispositifs de sécurité.....	179
E.4.1	Prévention d'une température excessive et d'un endommagement d'un élément	179
E.4.2	Prévention d'inversion de polarité des éléments ou inversion de charge par un autre élément dans la même batterie	180
E.4.3	Prévention de charge par inadvertance d'une batterie par d'autres sources de tension présentes dans l'enveloppe	181
E.5	Recharge des accumulateurs à l'intérieur des enveloppes antidéflagrantes	181
E.6	Caractéristiques assignées des diodes de protection et fiabilité des dispositifs de protection	182
Annexe F (informative)	Propriétés mécaniques des vis et écrous.....	183
Annexe G (normative)	Exigences complémentaires applicables aux enveloppes antidéflagrantes avec une source interne de dégagement (système de confinement).....	184
G.1	Généralités	184
G.2	Conditions de dégagement.....	185
G.2.1	Pas de dégagement.....	185
G.2.2	Dégagement limité de gaz ou vapeur	185
G.2.3	Dégagement limité de liquide.....	185
G.3	Exigences de conception pour le système de confinement	185
G.3.1	Exigences générales de conception	185
G.3.2	Système de confinement infaillible	185
G.3.3	Système de confinement à dégagement limité	186
G.4	Essais de type du système de confinement	186
G.4.1	Essai de surpression	186
G.4.2	Essai d'étanchéité d'un système de confinement infaillible	187
G.4.3	Essai d'étanchéité d'un système de confinement à dégagement limité.....	187
Annexe H (normative)	Exigences relatives aux machines avec enveloppes antidéflagrantes "d" alimentées par des convertisseurs.....	188
H.1	Généralités	188
H.2	Exigences de construction applicables aux paliers	188
H.3	Exigences relatives à la température	188

Bibliographie.....	189
Figure 1 – Exemple de construction pour le contrôle indirect d'un joint à bride antidéflagrant du Groupe I	116
Figure 2 – Joints à emboîtement.....	117
Figure 3 – Orifices aux surfaces des joints à bride, exemple 1	118
Figure 4 – Orifices aux surfaces des joints à bride, exemple 2	118
Figure 5 – Orifices aux surfaces des joints à bride, exemple 3	118
Figure 6 – Orifices aux surfaces des joints à emboîtement, exemple 1.....	118
Figure 7 – Orifices aux surfaces des joints à emboîtement, exemple 2.....	119
Figure 8 – Orifices aux surfaces des joints à emboîtement, exemple 3.....	119
Figure 9 – Exemples de constructions de joints	120
Figure 10 – Illustration des exigences relatives aux garnitures d'étanchéité – Exemple 1....	125
Figure 11 – Illustration des exigences relatives aux garnitures d'étanchéité – Exemple 2....	125
Figure 12 – Illustration des exigences relatives aux garnitures d'étanchéité – Exemple 3....	125
Figure 13 – Illustration des exigences relatives aux garnitures d'étanchéité – Exemple 4....	125
Figure 14 – Illustration des exigences relatives aux garnitures d'étanchéité – Exemple 5....	125
Figure 15 – Illustration des exigences relatives aux garnitures d'étanchéité – Exemple 6....	125
Figure 16 – Illustration des exigences relatives aux garnitures d'étanchéité – Exemple 7...	126
Figure 17 – Exemple de joint cylindrique pour arbre de machine électrique tournante	129
Figure 18 – Exemple de joint à labyrinthe pour arbre de machine électrique tournante	129
Figure 19 – Exemple de joint à bague flottante pour arbre de machine électrique tournante	130
Figure 20 – Joints des traversées d'arbre de machines électriques tournantes	130
Figure 21 – Dispositif d'essai pour dispositifs de respiration et de drainage	134
Figure 22 – Exemple de documentation possible	140
Figure 23 – Exemple d'une forme d'onde régulière	147
Figure 24 – Exemple d'une forme d'onde irrégulière	147
Figure C.1 – Exemples d'éléments d'obturation pour les entrées non utilisées	169
Figure C.2 – Dispositif pour les essais d'étanchéité des entrées de câble	171
Figure C.3 – Exemples d'adaptateurs filetés Ex	174
Figure E.1 – Montage de diodes pour trois éléments en série	180
Figure E.2 – Mise en place de diodes de blocage pour répondre à E.4.3 (troisième exemple).....	181
Figure G.1 – Enveloppe antidéflagrante avec système de confinement	184
Tableau 1 – Nombre d'essais de non-transmission pour le niveau de protection “da”	113
Tableau 2 – Longueur minimale de joint et interstice maximal des enveloppes des Groupes I, IIA et IIB	122
Tableau 3 – Longueur minimale de joint et interstice maximal des enveloppes du Groupe IIC.....	123
Tableau 4 – Joints filetés cylindriques.....	124
Tableau 5 – Joints filetés coniques a, c	124
Tableau 6 – Conditions pour la détermination de la température maximale de surface.....	143
Tableau 7 – Facteurs d'essai pour les conditions ambiantes réduites.....	145

Tableau 8 – Pressions relatives pour le matériel de petite taille	148
Tableau 9 – Réduction de la longueur d'un joint fileté pour l'essai de non-transmission	150
Tableau 10 – Facteurs d'essai pour augmenter la pression ou l'interstice d'essai (i_E)	150
Tableau 11 – Distance minimale des obstacles pour l'ouverture des brides antidéflagrantes «d»	150
Tableau 12 – Mélanges gaz/air	151
Tableau 13 – Pressions statiques	156
Tableau 14 – Texte des avertissements ou marquages	162
Tableau 15 – Texte des marquages informatifs	162
Tableau C.1 – Valeurs de couple de serrage, métrique	174
Tableau C.2 – Valeurs de couple de serrage, NPT	174
Tableau E.1 – Piles admissibles	178
Tableau E.2 – Accumulateurs admissibles	179
Tableau F.1 – Propriétés mécaniques des vis et écrous	183

COMMISSION ÉLECTROTECHNIQUE INTERNATIONALE

ATMOSPHÈRES EXPLOSIVES –

Partie 1: Protection du matériel par enveloppes antidéflagrantes «d»

AVANT-PROPOS

- 1) La Commission Electrotechnique Internationale (IEC) est une organisation mondiale de normalisation composée de l'ensemble des comités électrotechniques nationaux (Comités nationaux de l'IEC). L'IEC a pour objet de favoriser la coopération internationale pour toutes les questions de normalisation dans les domaines de l'électricité et de l'électronique. A cet effet, l'IEC – entre autres activités – publie des Normes internationales, des Spécifications techniques, des Rapports techniques, des Spécifications accessibles au public (PAS) et des Guides (ci-après dénommés "Publication(s) de l'IEC"). Leur élaboration est confiée à des comités d'études, aux travaux desquels tout Comité national intéressé par le sujet traité peut participer. Les organisations internationales, gouvernementales et non gouvernementales, en liaison avec l'IEC, participent également aux travaux. L'IEC collabore étroitement avec l'Organisation Internationale de Normalisation (ISO), selon des conditions fixées par accord entre les deux organisations.
- 2) Les décisions ou accords officiels de l'IEC concernant les questions techniques représentent, dans la mesure du possible, un accord international sur les sujets étudiés, étant donné que les Comités nationaux de l'IEC intéressés sont représentés dans chaque comité d'études.
- 3) Les Publications de l'IEC se présentent sous la forme de recommandations internationales et sont agréées comme telles par les Comités nationaux de l'IEC. Tous les efforts raisonnables sont entrepris afin que l'IEC s'assure de l'exactitude du contenu technique de ses publications; l'IEC ne peut pas être tenue responsable de l'éventuelle mauvaise utilisation ou interprétation qui en est faite par un quelconque utilisateur final.
- 4) Dans le but d'encourager l'uniformité internationale, les Comités nationaux de l'IEC s'engagent, dans toute la mesure possible, à appliquer de façon transparente les Publications de l'IEC dans leurs publications nationales et régionales. Toutes divergences entre toutes Publications de l'IEC et toutes publications nationales ou régionales correspondantes doivent être indiquées en termes clairs dans ces dernières.
- 5) L'IEC elle-même ne fournit aucune attestation de conformité. Des organismes de certification indépendants fournissent des services d'évaluation de conformité et, dans certains secteurs, accèdent aux marques de conformité de l'IEC. L'IEC n'est responsable d'aucun des services effectués par les organismes de certification indépendants.
- 6) Tous les utilisateurs doivent s'assurer qu'ils sont en possession de la dernière édition de cette publication.
- 7) Aucune responsabilité ne doit être imputée à l'IEC, à ses administrateurs, employés, auxiliaires ou mandataires, y compris ses experts particuliers et les membres de ses comités d'études et des Comités nationaux de l'IEC, pour tout préjudice causé en cas de dommages corporels et matériels, ou de tout autre dommage de quelque nature que ce soit, directe ou indirecte, ou pour supporter les coûts (y compris les frais de justice) et les dépenses découlant de la publication ou de l'utilisation de cette Publication de l'IEC ou de toute autre Publication de l'IEC, ou au crédit qui lui est accordé.
- 8) L'attention est attirée sur les références normatives citées dans cette publication. L'utilisation de publications référencées est obligatoire pour une application correcte de la présente publication.
- 9) L'attention est attirée sur le fait que certains des éléments de la présente Publication de l'IEC peuvent faire l'objet de droits de brevet. L'IEC ne saurait être tenue pour responsable de ne pas avoir identifié de tels droits de brevets et de ne pas avoir signalé leur existence.

La Norme internationale IEC 60079-1 a été établie par le comité d'études 31 de l'IEC: Équipements pour atmosphères explosives.

Cette septième édition annule et remplace la sixième édition parue en 2007. Cette édition constitue une révision technique.

L'importance des modifications entre l'IEC 60079-1, Édition 7.0 (2014) et l'IEC 60079-1 Édition 6.0 (2007) (y compris le Corrigendum 1 (2008)), est indiquée ci-dessous:

Explication de l'importance des modifications	Article	Type		
		Modifications mineures et rédactionnelles	Extension	Modifications techniques majeures
Références normatives (Suppression de la date d'édition de la référence de l'IEC 60079-0)	2	X		
Exigences applicables au niveau de protection «da» (Capteurs catalytiques pour les détecteurs portables de gaz inflammables)	4.2		X	
Exigences applicables au niveau de protection «dc» (Dispositifs «à coupure enfermée» de l'IEC 60079-15)	4.4, 15.5	X		
Joints antidéflagrants, Exigences générales (Clarification de la documentation et exemples de graisse empêchant la corrosion)	5.1	X		
Joints antidéflagrants, Exigences générales (Conditions spécifiques d'utilisation selon lesquelles les joints ne sont pas destinés à être réparés)	5.1		X	
Joints antidéflagrants, Exigences générales (Dépôt électrolytique sur plus de 0,008 mm d'épaisseur)	5.1		X	
Joints non filetés, Interstice (<i>i</i>) (Interstices intentionnels entre les surfaces des joints à bride)	5.2.2	X		
Joints dentelés (Exigences d'utilisation et d'essai)	5.2.8	X		
Joints à pas multiples (Pas moins de 3 segments adjacents et de deux changements de direction du chemin)	5.2.9		X	
Longueur minimale de joint et interstice maximal des enveloppes des groupes IIA et IIB (Interstices maximaux pour les joints à bride, cylindriques ou à emboîtement d'une longueur minimale de 9,5 mm et d'un volume supérieur à 2 000 cm ³)	Tableau 2		X	
Longueur minimale de joint et interstice maximal des enveloppes des groupes I, IIA, IIB et IIC (ISO 80000-1 pour l'arrondi des valeurs de construction)	Tableau 2, Tableau 3	X		
Joints filetés cylindriques (Norme ISO 965-1 relative au profil de filet ou à la qualité d'ajustement)	Tableau 4	X		
Joints filetés coniques (Construction des filets externes et internes)	Tableau 5	X		
Joints scellés (Dispositifs mécaniques supplémentaires de fixation)	6.1.2			C1
Joints scellés (Critères d'évaluation en cas de fuite)	6.1.2		X	
Joints par fusion de verre (Joints de scellement verre/métal)	6.2		X	

Explication de l'importance des modifications	Article	Type		
		Modifications mineures et rédactionnelles	Extension	Modifications techniques majeures
Essais thermiques des dispositifs de respiration et de drainage (Classe de température basée sur la température de la surface externe après la période d'essai de 10 min)	10.9.3.2	X		
Essai de tenue à la pression des dispositifs de respiration et de drainage (Déplacé de la période avant les essais thermiques pour être placé dans la période après l'essai de non-transmission)	10.9.3.4	X		
Certificat de composant Ex (Gamme de températures de service pour les enveloppes non métalliques selon l'IEC 60079-0)	10.9.4	X		
Fermetures et ouvertures (Affectation du contenu des éléments d'obturation à 13.8 et C.2.3)	11	X		
Fermetures et ouvertures, Classe de propriété ou résistance à la traction (Condition spécifique d'utilisation du Certificat)	11.3	X		
Fermetures et ouvertures (Ouvertures dans la paroi de l'enveloppe)	11.8	X		
Matériaux (Limitation d'utilisation de matériaux dans des atmosphères contenant de l'acétylène)	12.8			C2
Entrées des enveloppes antidéflagrantes, Généralités (Entrées filetées métriques et NPT)	13.1	X		
Entrées des enveloppes antidéflagrantes, Généralités (Joints non filetés du Groupe I)	13.1		X	
Entrées des enveloppes antidéflagrantes, Orifices non taraudés (Application au Groupe I)	13.3		X	
Entrées des enveloppes antidéflagrantes, Entrées de câbles (Application au Groupe I)	13.4		X	
Entrées de câbles, dispositifs d'étanchéité de conduit (Documentation pour faciliter le montage)	13.4,13.5	X		
Prises de courant et prolongateurs (Exigence de charge pour l'essai d'extinction de l'arc)	13.6.4			C3
Traversées (Documentation pour faciliter le montage)	13.7	X		
Éléments d'obturation (Déplacés de l'Article 11)	13.8	X		
Vérification et essais (Conditions pour la détermination de la température maximale de surface)	Tableau 6	X		

Explication de l'importance des modifications	Article	Type		
		Modifications mineures et rédactionnelles	Extension	Modifications techniques majeures
Essais de type <i>(Séquence et nombre d'échantillons pour les essais)</i>	15	X		
Détermination de la pression d'explosion, Généralités <i>(Dispositifs qui peuvent créer de la turbulence)</i>	15.2.2.2	X		
Détermination de la pression d'explosion, Généralités <i>(Nombre d'essais pour le Groupe IIC)</i>	15.2.2.2	X		
Détermination de la pression d'explosion, Généralités <i>(Accumulation de pression pour le Groupe IIB)</i>	15.2.2.4	X		
Détermination de la pression d'explosion, Généralités <i>(Matériel destiné à être utilisé dans un seul gaz)</i>	15.2.2.5	X		
Essai de surpression, Généralités <i>(Essais de surpression à basse température ambiante non exigés)</i>	15.2.3	X		
Essai de surpression – Première méthode (statique) <i>(3 fois – option – en cas d'essais individuels de série par lots)</i>	15.2.3.2		X	
Essai de surpression – Première méthode (statique) <i>(Ajustement par rapport à la basse température ambiante en raison de la petite taille du matériel)</i>	15.2.3.2		X	
Essai de surpression – Deuxième méthode (dynamique) <i>(Nombre d'essais à effectuer)</i>	15.2.3.3	X		
Essai de non-transmission d'une inflammation interne <i>(Clarification portant sur la graisse)</i>	15.3	X		
Réduction de la longueur d'un joint fileté pour l'essai de non-transmission <i>(Les normes ISO 965-1 et 965-3 relatives au profil de filet et à la qualité d'ajustement)</i>	Tableau 9	X		
Facteurs d'essai pour augmenter la pression ou l'interstice d'essai <i>(Ajustements pour le Groupe IIC pour les températures ambiantes élevées)</i>	Tableau 10	X		
Essai de non-transmission d'une inflammation interne, Groupes I, IIA et IIB <i>(Nombre d'essais à effectuer)</i>	15.3.2.3	X		
Essai de non-transmission d'une inflammation interne, Groupe IIC, essai en augmentant l'interstice <i>(Nombre d'essais à effectuer)</i>	15.3.3.2	X		
Essai de non-transmission d'une inflammation interne, Groupe IIC <i>(Enrichissement de l'oxygène des gaz d'essai)</i>	15.3.3.4		X	
Essais thermiques des enveloppes avec dispositifs de respiration et de drainage <i>(Classe de température basée sur la température de la surface externe après la période d'essai de 10 min)</i>	15.4.3.1	X		
Essais des dispositifs "dc" <i>(dispositifs de «à coupure enfermée» de l'IEC 60079-15)</i>	15.5		X	

Explication de l'importance des modifications	Article	Type		
		Modifications mineures et rédactionnelles	Extension	Modifications techniques majeures
Essais individuels de série, Généralités <i>(Ajustement par rapport à la basse température ambiante en raison de la petite taille du matériel)</i>	16.1.2		X	
Essais individuels de série, Généralités <i>(Options lorsque la deuxième méthode est choisie)</i>	16.1.3	X		
Essais individuels de série, Généralités <i>(Options de contrôle des joints soudés)</i>	16.3		X	
Essais individuels de série, Généralités <i>(Tolérance des essais par lots)</i>	16.6		X	
Appareillage pour le Groupe I <i>(Nécessité de clarification de la conformité aux modes de protection EPL Mb)</i>	17.2.2, 17.2.3	X		
Enveloppes non métalliques et parties non métalliques d'enveloppes, Généralités <i>(sauf les joints scellés)</i>	19.1	X		
Enveloppes non métalliques et parties non métalliques d'enveloppes, Résistance au courant de cheminement et lignes de fuite <i>(Référence à l'IEC 60079-7 et/ou à l'IEC 60079-15)</i>	19.2		X	
Enveloppes non métalliques et parties non métalliques d'enveloppes, Exigences pour les essais de type <i>(Clarification de la séquence d'essais)</i>	19.3	X		
Instructions <i>(Indication selon laquelle la réparation des passages de flamme n'est pas prévue)</i>	21		X	
Traversées <i>(Documentation relative au nombre de conducteurs)</i>	C.2.1.4	X		
Traversées <i>(Critères de l'essai de non-transmission)</i>	C.2.1.4	X		
Traversées <i>(Critères d'évaluation en cas de fuite)</i>	C.2.1.4		X	
Joints antidéflagrants, Joints taraudés, <i>(Options d'exigences)</i>	C.2.2.1	X		
Joints antidéflagrants, Joints non taraudés, <i>(Application au Groupe I)</i>	C.2.2.2		X	
Exigences de construction pour éléments d'obturation Ex <i>(Déplacées de l'Article 11)</i>	C.2.3.1	X		
Exigences de construction pour éléments d'obturation Ex <i>(Éléments d'obturation Ex métriques et NPT)</i>	C.2.3.2, C.2.3.3	X		
Exigences de construction pour éléments d'obturation Ex <i>(Construction non fileté pour le Groupe I)</i>	C.2.3.4		X	
Essai d'étanchéité, Généralités <i>(Tolérance pour le resserrage)</i>	C.3.1.1	X		

Explication de l'importance des modifications	Article	Type		
		Modifications mineures et rédactionnelles	Extension	Modifications techniques majeures
Entrées de câble et dispositifs d'étanchéité de conduit avec bagues d'étanchéité <i>(Mandrin en métal résistant à la corrosion)</i>	C.3.1.2	X		
Essais de type pour éléments d'obturation Ex, Essais de torsion <i>(Bloc d'essai en acier)</i>	C.3.3.1	X		
Valeurs de couple de serrage <i>(Ajout de dimension du filetage < 16 mm)</i>	Tableau C.1		X	
Valeurs de couple de serrage <i>(Ajout des dimensions de filetage NPT)</i>	Tableau C.2		X	
Exigences des enveloppes de composants Ex <i>(Contenu des marquages)</i>	D.3.8			C4
Exigences des enveloppes de composants Ex <i>(Contenu du certificat)</i>	D.3.10		X	
Utilisation du certificat d'enveloppe de composants Ex pour préparer un certificat de matériel, Procédure <i>(Dispositifs qui peuvent créer une turbulence importante)</i>	D.4.1		X	
Piles admissibles <i>(Ajout des piles de Type B)</i>	Tableau E.1		X	
Piles admissibles <i>(Suppression des piles de Type T)</i>	Tableau E.1			C5
Accumulateurs acceptables <i>(Ajout des piles au lithium)</i>	Tableau E.2		X	
Prévention d'une température excessive et d'un endommagement d'un élément <i>(Application des exigences de l'IEC 60079-11)</i>	E.4.1.2	X		
Prévention de charge par inadvertance d'une batterie par d'autres sources de tension présentes dans l'enveloppe <i>(Construction ne nécessitant aucune protection supplémentaire)</i>	E.4.3		X	
Recharge des accumulateurs à l'intérieur des enveloppes antidéflagrantes <i>(Options de batterie supplémentaire)</i>	E.5.1		X	
Introduction d'une autre méthode d'évaluation des risques englobant des niveaux de protection du matériel (EPL) pour le matériel Ex <i>(Suppression de l'ancienne Annexe Informative)</i>	Annexe G	X		
Exigences complémentaires applicables aux enveloppes antidéflagrantes avec une source interne de dégagement (système de confinement) <i>(Ajout d'une nouvelle Annexe Normative)</i>	Annexe G		X	
Exigences relatives aux machines avec enveloppes antidéflagrantes "d" alimentées par des convertisseurs <i>(Ajout d'une nouvelle Annexe Normative)</i>	Annexe H		X	

NOTE Les modifications techniques dont il est fait mention indiquent l'importance des modifications techniques contenues dans la version révisée de la norme IEC, mais elles ne constituent pas une liste exhaustive de toutes les modifications par rapport à la version précédente. D'autres lignes directrices sont données dans la Version de base de la norme.

Explications:

A) Définitions

Modifications mineures et rédactionnelles

Clarification

réduction des exigences techniques

modifications techniques mineures

corrections d'ordre rédactionnel

Ces modifications portent sur les exigences et sont de nature rédactionnelle ou technique mineure. Elles comprennent des modifications de formulation destinées à clarifier les exigences techniques sans apporter de modification technique ni réduire le niveau actuel de l'exigence.

Extension

ajout d'options techniques

Ces modifications ajoutent de nouvelles exigences techniques ou modifient les exigences techniques existantes, de façon à fournir de nouvelles options, mais sans augmenter les niveaux d'exigences pour tout matériel qui était totalement conforme à la précédente Norme. Ces modifications ne sont donc pas à prendre en compte dans le cas de produits conformes à la précédente édition.

Modifications techniques majeures

ajout d'exigences techniques

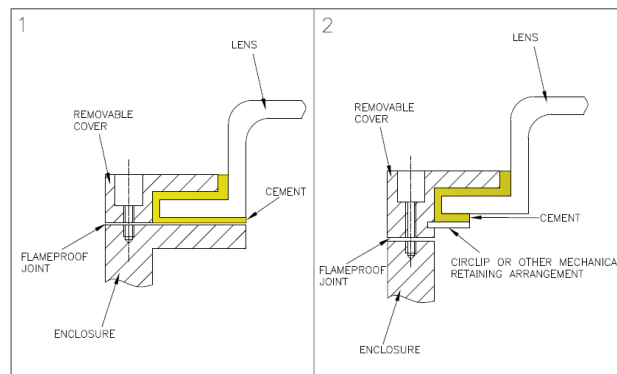
augmentation des exigences techniques

Ces modifications sont apportées aux exigences techniques (ajout, augmentation du niveau ou suppression) de telle façon qu'un produit conforme à la précédente édition n'a pas toujours la capacité de satisfaire aux exigences indiquées dans la dernière édition. Ces modifications sont à prendre en compte dans le cas de produits conformes à la précédente édition. L'Article B) ci-dessous fournit des informations supplémentaires sur ces modifications.

NOTE Ces modifications reflètent les connaissances technologiques actuelles. Cependant, il convient que ces modifications n'aient généralement pas d'influence sur le matériel déjà sur le marché.

B) Informations sur l'origine des "Modifications techniques majeures"

C1 – Les dispositifs mécaniques supplémentaires permettant de fixer le joint scellé ne doivent pas être rendus inopérants du fait de l'ouverture de portes ou de couvercles destinés à être ouverts pendant l'installation ou la maintenance. Par exemple, dans les images ci-dessous montrant un luminaire comportant un joint scellé entre la lentille et le couvercle de l'enveloppe, la construction montrée dans la deuxième image est conforme à cette exigence, alors que la construction montrée dans la première image ne l'est pas.



IEC 1932/14

Légende

Anglais	Français
Lens	Lentille
Removable cover	Couvercle démontable
Cement	Scellement
Flameproof joint	Joint antidéflagrant
Enclosure	Enveloppe
Circlip or other mechanical retaining arrangement	Circlip ou autre dispositif de fixation mécanique

- C2 – Ajout de limitations de matériaux des enveloppes du matériel et des enveloppes de composants Ex pour montage externe, si elles sont en cuivre ou alliages de cuivre, lorsqu'utilisées dans les atmosphères explosives gazeuses contenant de l'acétylène (12.8).
- C3 – Ajout d'exigences de facteur de puissance pour l'évaluation de la tenue d'une prise de courant à demeurer antidéflagrante pendant la période d'extinction d'arc à l'ouverture d'un circuit d'essai (13.6.4).
- C4 – Ajout d'exigences de marquage relatives aux enveloppes de composants Ex, en plus des exigences de marquage des composants Ex spécifiées dans l'IEC 60079-0 (D.3.8).
- C5 – Suppression des piles de type T en tant que piles admissibles (Tableau E.1).

Le texte de cette norme est issu des documents suivants:

FDIS	Rapport de vote
31/1111/FDIS	31/1125/RVD

Le rapport de vote indiqué dans le tableau ci-dessus donne toute information sur le vote ayant abouti à l'approbation de cette norme.

Cette publication a été rédigée selon les Directives ISO/IEC, Partie 2.

Une liste de toutes les parties de la série IEC 60079, publiées sous le titre général *Atmosphères explosives*, peut être consultée sur le site web de l'IEC.

Le comité a décidé que le contenu de cette publication ne sera pas modifié avant la date de stabilité indiquée sur le site web de l'IEC sous "http://webstore.iec.ch" dans les données relatives à la publication recherchée. A cette date, la publication sera

- reconduite,
- supprimée,
- remplacée par une édition révisée, ou
- amendée.

Le contenu du corrigendum de juin 2018 a été pris en considération dans cet exemplaire.

IMPORTANT – Le logo "colour inside" qui se trouve sur la page de couverture de cette publication indique qu'elle contient des couleurs qui sont considérées comme utiles à une bonne compréhension de son contenu. Les utilisateurs devraient, par conséquent, imprimer cette publication en utilisant une imprimante couleur.

ATMOSPHÈRES EXPLOSIVES –

Partie 1: Protection du matériel par enveloppes antidéflagrantes «d»

1 Domaine d'application

La présente partie de l'IEC 60079 contient les exigences spécifiques de construction et d'essai du matériel électrique à enveloppe antidéflagrante, mode de protection «d», destiné à être utilisé dans les atmosphères explosives gazeuses.

La présente Norme complète et modifie les exigences générales de l'IEC 60079-0. Lorsqu'une exigence de cette norme entre en conflit avec une exigence de l'IEC 60079-0, l'exigence de la présente norme prévaut.

2 Références normatives

Les documents suivants sont cités en référence de manière normative, en intégralité ou en partie, dans le présent document et sont indispensables pour son application. Pour les références datées, seule l'édition citée s'applique. Pour les références non datées, la dernière édition du document de référence s'applique (y compris les éventuels amendements).

IEC 60061 (toutes les parties), *Culots de lampes et douilles ainsi que calibres pour le contrôle de l'interchangeabilité et de la sécurité*

IEC 60079-0, *Atmosphères explosives – Partie 0: Matériel – Exigences générales*

IEC 60079-7, *Atmosphères explosives – Partie 7: Protection de l'équipement par sécurité augmentée «e»*

IEC 60079-11, *Atmosphères explosives – Partie 11: Protection de l'équipement par sécurité intrinsèque «i»*

IEC 60079-15, *Atmosphères explosives – Partie 15: Protection du matériel par mode de protection «n»*

IEC 60127 (toutes les parties), *Coupe-circuit miniatures*

ISO 965-1, *Filetages métriques ISO pour usages généraux – Tolérances – Partie 1: Principes et données fondamentales*

ISO 965-3, *Filetages métriques ISO pour usages généraux – Tolérances – Partie 3: Écarts pour filetages de construction*

ISO 2738, *Matériaux métalliques frittés, à l'exclusion des métaux durs – Matériaux métalliques frittés perméables – Détermination de la masse volumique, de la teneur en huile et de la porosité ouverte*

ISO 4003, *Matériaux en métal fritté perméable – Détermination de la dimension des pores – Méthode bulloscopique*

ISO 4022, *Matériaux métalliques frittés perméables – Détermination de la perméabilité aux fluides*

ANSI/ASME B1.20.1, *Pipe threads, general purpose (inch)*