



# TECHNICAL REPORT



---

**Performance of high-voltage direct current (HVDC) systems with line-commutated converters–  
Part 1: Steady-state conditions**

INTERNATIONAL  
ELECTROTECHNICAL  
COMMISSION

---

ICS 29.200; 29.240.99

ISBN 978-2-8322-0794-9

**Warning! Make sure that you obtained this publication from an authorized distributor.**

## CONTENTS

FOREWORD.....	7
1 Scope.....	9
2 Normative references .....	10
3 Types of HVDC systems.....	11
3.1 General.....	11
3.2 HVDC back-to-back system.....	11
3.3 Monopolar earth return HVDC system .....	13
3.4 Monopolar metallic return HVDC system .....	15
3.5 Bipolar earth return HVDC system.....	16
3.6 Bipolar metallic return HVDC system.....	19
3.7 Two 12-pulse groups per pole .....	20
3.8 Converter transformer arrangements.....	21
3.9 DC switching considerations.....	25
3.10 Series capacitor compensated HVDC systems .....	28
4 Environment information.....	32
5 Rated power, current and voltage .....	34
5.1 Rated power.....	34
5.1.1 General .....	34
5.1.2 Rated power of an HVDC system with transmission line .....	35
5.1.3 Rated power of an HVDC back-to-back system.....	35
5.1.4 Direction of power flow .....	35
5.2 Rated current .....	35
5.3 Rated voltage .....	35
6 Overload and equipment capability.....	36
6.1 Overload .....	36
6.2 Equipment capability .....	36
6.2.1 General .....	36
6.2.2 Converter valve capability .....	37
6.2.3 Capability of oil-cooled transformers and reactors .....	37
6.2.4 AC harmonic filter and reactive power compensation equipment capability.....	37
6.2.5 Switchgear and buswork capability .....	38
7 Minimum power transfer and no-load stand-by state.....	38
7.1 General.....	38
7.2 Minimum current.....	38
7.3 Reduced direct voltage operation .....	38
7.4 No-load stand-by state .....	39
7.4.1 General .....	39
7.4.2 Converter transformers – No-load stand-by .....	39
7.4.3 Converter valves – No-load stand-by.....	39
7.4.4 AC filters and reactive compensation – No-load stand-by .....	39
7.4.5 DC reactors and d.c. filters – No-load stand-by.....	39
7.4.6 Auxiliary power system – No-load stand-by.....	39
7.4.7 Control and protection – No-load stand-by.....	39

8	AC system.....	39
8.1	General.....	39
8.2	AC voltage.....	40
8.2.1	Rated a.c. voltage.....	40
8.2.2	Steady-state voltage range.....	40
8.2.3	Negative sequence voltage.....	41
8.3	Frequency.....	41
8.3.1	Rated frequency.....	41
8.3.2	Steady-state frequency range.....	41
8.3.3	Short-term frequency variation.....	41
8.3.4	Frequency variation during emergency.....	41
8.4	System impedance at fundamental frequency.....	41
8.5	System impedance at harmonic frequencies.....	41
8.6	Positive and zero-sequence surge impedance.....	42
8.7	Other sources of harmonics.....	42
8.8	Subsynchronous torsional interaction (SSTI).....	42
9	Reactive power.....	42
9.1	General.....	42
9.2	Conventional HVDC systems.....	42
9.3	Series capacitor compensated HVDC schemes.....	44
9.4	Converter reactive power consumption.....	44
9.5	Reactive power balance with the a.c. system.....	44
9.6	Reactive power supply.....	45
9.7	Maximum size of switchable VAR banks.....	45
10	HVDC transmission line, earth electrode line and earth electrode.....	45
10.1	General.....	45
10.2	Overhead line(s).....	45
10.2.1	General.....	45
10.2.2	Electrical parameters.....	46
10.3	Cable line(s).....	46
10.3.1	General.....	46
10.3.2	Electrical parameters.....	46
10.4	Earth electrode line.....	47
10.5	Earth electrode.....	47
11	Reliability.....	47
11.1	General.....	47
11.2	Outage.....	47
11.2.1	General.....	47
11.2.2	Scheduled outage.....	47
11.2.3	Forced outage.....	48
11.3	Capacity.....	48
11.3.1	General.....	48
11.3.2	Maximum continuous capacity $P_m$ .....	48
11.3.3	Outage capacity $P_o$ .....	48
11.3.4	Outage derating factor (ODF).....	48
11.4	Outage duration terms.....	48
11.4.1	Actual outage duration (AOD).....	48
11.4.2	Equivalent outage duration (EOD).....	48

11.4.3	Period hours (PH).....	49
11.4.4	Actual outage hours (AOH).....	49
11.4.5	Equivalent outage hours (EOH).....	49
11.5	Energy unavailability (EU).....	49
11.5.1	General.....	49
11.5.2	Forced energy unavailability (FEU).....	50
11.5.3	Scheduled energy unavailability (SEU).....	50
11.6	Energy availability (EA).....	50
11.7	Maximum permitted number of forced outages.....	50
11.8	Statistical probability of outages.....	50
11.8.1	Component faults.....	50
11.8.2	External faults.....	50
12	HVDC control.....	50
12.1	Control objectives.....	50
12.2	Control structure.....	51
12.2.1	General.....	51
12.2.2	Converter unit firing control.....	51
12.2.3	Pole control.....	53
12.2.4	HVDC substation control.....	55
12.2.5	Master control.....	55
12.3	Control order settings.....	55
12.4	Current limits.....	56
12.5	Control circuit redundancy.....	56
12.6	Measurements.....	56
13	Telecommunication.....	57
13.1	Types of telecommunication links.....	57
13.2	Telephone.....	57
13.3	Power line carrier (PLC).....	57
13.4	Microwave.....	58
13.5	Radio link.....	58
13.6	Optical fibre telecommunication.....	58
13.7	Classification of data to be transmitted.....	58
13.8	Fast response telecommunication.....	59
13.9	Reliability.....	59
14	Auxiliary power supplies.....	60
14.1	General.....	60
14.2	Reliability and load classification.....	60
14.3	AC auxiliary supplies.....	61
14.4	Batteries and uninterruptible power supplies (UPS).....	61
14.5	Emergency supply.....	62
15	Audible noise.....	62
15.1	General.....	62
15.2	Public nuisance.....	62
15.2.1	General.....	62
15.2.2	Valves and valve coolers.....	63
15.2.3	Converter transformers.....	63
15.2.4	DC reactors.....	63
15.2.5	AC filter reactors.....	63

15.3	Noise in working areas .....	63
16	Harmonic interference – AC.....	64
16.1	AC side harmonic generation.....	64
16.2	Filters.....	64
16.3	Interference disturbance criteria .....	67
16.4	Levels for interference.....	68
16.5	Filter performance .....	69
17	Harmonic interference – DC .....	69
17.1	DC side interference.....	69
17.1.1	Harmonic currents in HVDC transmission line.....	69
17.1.2	Characteristic and non-characteristic harmonics .....	69
17.1.3	Groups of harmonics .....	70
17.1.4	Calculation of harmonic currents .....	70
17.1.5	Calculation of induced voltages .....	70
17.1.6	Personnel safety.....	70
17.1.7	DC filters .....	70
17.2	DC filter performance .....	71
17.2.1	Requirements for voice communication circuits .....	71
17.2.2	Levels of interference .....	72
17.2.3	Safety.....	72
17.3	Specification requirements .....	72
17.3.1	Economic level of filtering.....	72
17.3.2	General criteria.....	73
17.3.3	Factors to be taken into account for calculations .....	73
17.3.4	Calculation of currents.....	74
18	Power line carrier interference (PLC).....	75
18.1	General.....	75
18.2	Performance specification .....	75
<del>19</del>	<del>Radio interference .....</del>	<del>76</del>
<del>19.1</del>	<del>Radio interference (RI) from HVDC systems.....</del>	<del>76</del>
<del>19.1.1</del>	<del>RI sources.....</del>	<del>76</del>
<del>19.1.2</del>	<del>RI characteristics.....</del>	<del>76</del>
<del>19.2</del>	<del>RI performance specification .....</del>	<del>76</del>
19	Radio frequency interference.....	76
19.1	General.....	78
19.2	RFI from HVDC systems.....	78
19.2.1	RFI sources.....	78
19.2.2	RFI propagation.....	79
19.2.3	RFI characteristics.....	79
19.3	RFI performance specification .....	80
19.3.1	RFI risk assessment .....	80
19.3.2	Specification RFI limit and its verification.....	80
19.3.3	Design aspects .....	81
20	Power losses.....	81
20.1	General.....	81
20.2	Main contributing sources.....	82
20.2.1	General .....	82
20.2.2	AC filters and reactive power compensation .....	82

20.2.3 Converter bridges .....	82
20.2.4 Converter transformer .....	82
20.2.5 DC reactor .....	82
20.2.6 DC filter .....	82
20.2.7 Auxiliary equipment .....	83
20.2.8 Other components .....	83
21 Provision for extensions to the HVDC systems .....	83
21.1 General .....	83
21.2 Specification for extensions .....	83
<b>Annex A (informative) Factors affecting reliability and availability of converter stations .....</b>	<b>86</b>
Bibliography .....	93
Figure 1 – Twelve-pulse converter unit .....	9
Figure 2 – Examples of back-to-back HVDC systems .....	12
Figure 3 – Monopolar earth return system .....	13
Figure 4 – Two 12-pulse units in series .....	14
Figure 5 – Two 12-pulse units in parallel .....	15
Figure 6 – Monopolar metallic return system .....	16
Figure 7 – Bipolar system .....	18
Figure 8 – Metallic return operation of the unfaulted pole in a bipolar system .....	19
Figure 9 – Bipolar metallic return HVDC system .....	20
Figure 10 – Bipolar system with two 12-pulse units in series per pole .....	23
Figure 11 – Bipolar system with two 12-pulse units in parallel per pole .....	25
Figure 12 – DC switching of line conductors .....	26
Figure 13 – DC switching of converter poles .....	27
Figure 14 – DC switching – Overhead line to cable .....	28
Figure 15 – DC switching – Two-bipolar converters and lines .....	29
Figure 16 – DC switching – Intermediate .....	30
Figure 17 – Capacitor commutated converter configurations .....	31
Figure 18 – Variations of reactive power $Q$ with active power $P$ of an HVDC converter .....	43
Figure 19 – Control hierarchy .....	52
Figure 20 – Converter voltage-current characteristic .....	54
Figure 21 – Examples of a.c. filter connections for a bipole HVDC system .....	65
Figure 22 – Circuit diagrams for different filter types .....	66
Figure 23 – RY COM noise meter results averaged – Typical plot of converter noise levels on the d.c. line corrected and normalized to 3 kHz bandwidth $-0 \text{ dBm} = -0,775 \text{ V}$ <b>1 mW corresponding to 0,775 V at a pole-to-pole surge impedance of 600 <math>\Omega</math></b> .....	76
Figure 24 – Extension methods for HVDC systems .....	85
<b>Figure 25 – Recommended measurement procedure with definition of measuring point .....</b>	<b>81</b>
Table 1 – Information supplied for HVDC substation .....	32
Table 2 – Performance parameters for voice communication circuits: Subscribers and trunk circuits .....	71

## INTERNATIONAL ELECTROTECHNICAL COMMISSION

---

### PERFORMANCE OF HIGH-VOLTAGE DIRECT CURRENT (HVDC) SYSTEMS WITH LINE-COMMUTATED CONVERTERS –

#### Part 1: Steady-state conditions

#### FOREWORD

- 1) The International Electrotechnical Commission (IEC) is a worldwide organization for standardization comprising all national electrotechnical committees (IEC National Committees). The object of IEC is to promote international co-operation on all questions concerning standardization in the electrical and electronic fields. To this end and in addition to other activities, IEC publishes International Standards, Technical Specifications, Technical Reports, Publicly Available Specifications (PAS) and Guides (hereafter referred to as "IEC Publication(s)"). Their preparation is entrusted to technical committees; any IEC National Committee interested in the subject dealt with may participate in this preparatory work. International, governmental and non-governmental organizations liaising with the IEC also participate in this preparation. IEC collaborates closely with the International Organization for Standardization (ISO) in accordance with conditions determined by agreement between the two organizations.
- 2) The formal decisions or agreements of IEC on technical matters express, as nearly as possible, an international consensus of opinion on the relevant subjects since each technical committee has representation from all interested IEC National Committees.
- 3) IEC Publications have the form of recommendations for international use and are accepted by IEC National Committees in that sense. While all reasonable efforts are made to ensure that the technical content of IEC Publications is accurate, IEC cannot be held responsible for the way in which they are used or for any misinterpretation by any end user.
- 4) In order to promote international uniformity, IEC National Committees undertake to apply IEC Publications transparently to the maximum extent possible in their national and regional publications. Any divergence between any IEC Publication and the corresponding national or regional publication shall be clearly indicated in the latter.
- 5) IEC itself does not provide any attestation of conformity. Independent certification bodies provide conformity assessment services and, in some areas, access to IEC marks of conformity. IEC is not responsible for any services carried out by independent certification bodies.
- 6) All users should ensure that they have the latest edition of this publication.
- 7) No liability shall attach to IEC or its directors, employees, servants or agents including individual experts and members of its technical committees and IEC National Committees for any personal injury, property damage or other damage of any nature whatsoever, whether direct or indirect, or for costs (including legal fees) and expenses arising out of the publication, use of, or reliance upon, this IEC Publication or any other IEC Publications.
- 8) Attention is drawn to the Normative references cited in this publication. Use of the referenced publications is indispensable for the correct application of this publication.
- 9) Attention is drawn to the possibility that some of the elements of this IEC Publication may be the subject of patent rights. IEC shall not be held responsible for identifying any or all such patent rights.

**This consolidated version of IEC/TR 60919-1 consists of the third edition (2010) [documents 22F/213/DTR and 22F/218/RVC] and its amendment 1 (2013) [documents 22F/277/DTR and 22F/286A/RVC]. It bears the edition number 3.1.**

**The technical content is therefore identical to the base edition and its amendment and has been prepared for user convenience. A vertical line in the margin shows where the base publication has been modified by amendment 1. Additions and deletions are displayed in red, with deletions being struck through.**

The main task of IEC technical committees is to prepare International Standards. However, a technical committee may propose the publication of a technical report when it has collected data of a different kind from that which is normally published as an International Standard, for example "state of the art".

IEC 60919-1, which is a technical report, has been prepared by subcommittee 22F: Power electronics for electrical transmission and distribution systems, of IEC technical committee 22: Power electronic systems and equipment.

This edition includes the following significant technical changes with respect to the previous edition:

- a) the changes have been made to the description of multi 12-pulse groups per pole, especially for a large scale ultra high-voltage direct current (UHVDC) converter arrangement;
- b) the different arrangements of d.c. smoothing reactors have been included;
- c) the figures depicting two 12-pulse groups per pole arrangement have been added.

This publication has been drafted in accordance with the ISO/IEC Directives, Part 2.

A list of all parts of the IEC 60919 series, published under the general title *Performance of high-voltage direct current (HVDC) systems with line-commutated converters*, can be found on the IEC website

The committee has decided that the contents of the base publication and its amendment will remain unchanged until the stability date indicated on the IEC web site under "<http://webstore.iec.ch>" in the data related to the specific publication. At this date, the publication will be

- reconfirmed;
- withdrawn;
- replaced by a revised edition, or
- amended.

A bilingual version of this document may be issued at a later date.

**IMPORTANT – The 'colour inside' logo on the cover page of this publication indicates that it contains colours which are considered to be useful for the correct understanding of its contents. Users should therefore print this document using a colour printer.**

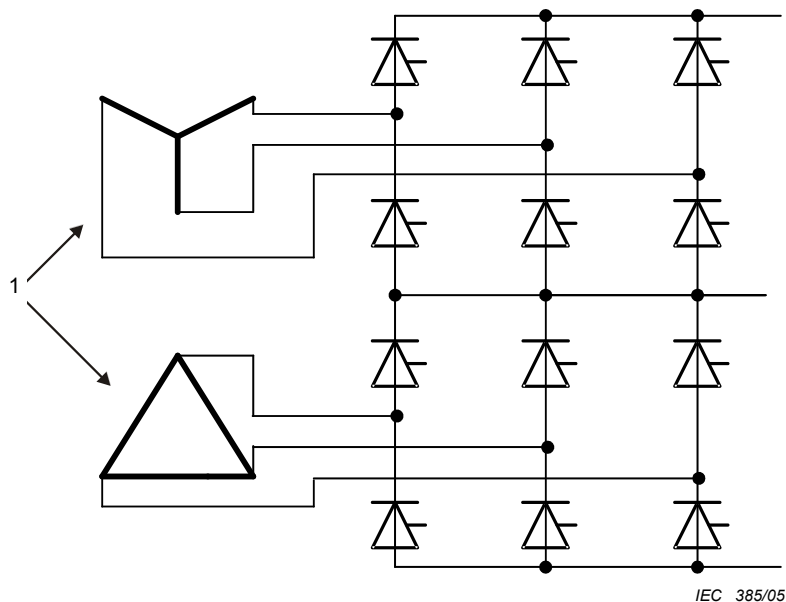


# PERFORMANCE OF HIGH-VOLTAGE DIRECT CURRENT (HVDC) SYSTEMS WITH LINE-COMMUTATED CONVERTERS –

## Part 1: Steady-state conditions

### 1 Scope

This part of the IEC 60919 provides general guidance on the steady-state performance requirements of high-voltage direct current (HVDC) systems. It concerns the steady-state performance of two-terminal HVDC systems utilizing 12-pulse converter units comprised of three-phase bridge (double-way) connections (see Figure 1), but it does not cover multi-terminal HVDC transmission systems. Both terminals are assumed to use thyristor valves as the main semiconductor valves and to have power flow capability in both directions. Diode valves are not considered in this report.



#### Key

- 1 Transformer valve windings

**Figure 1 – Twelve-pulse converter unit**

Only line-commutated converters are covered in this report, which includes capacitor commutated converter circuit configurations. General requirements for semiconductor line-commutated converters are given in IEC 60146-1-1, IEC/TR 60146-1-2 and IEC 60146-1-3. Voltage-sourced converters are not considered.

This technical report, which covers steady-state performance, is followed by additional documents on dynamic performance and transient performance. All three aspects should be considered when preparing two-terminal HVDC system specifications.

The difference between system performance specifications and equipment design specifications for individual components of a system should be realized. Equipment specifications and testing requirements are not defined in this report. Also excluded from this report are detailed seismic performance requirements. In addition, because there are many variations between different possible HVDC systems, this report does not consider these in detail; consequently, it should not be used directly as a specification for a particular project, but rather to provide the basis for an appropriate specification tailored to fit actual system requirements.

Frequently, performance specifications are prepared as a single package for the two HVDC substations in a particular system. Alternatively, some parts of the HVDC system can be separately specified and purchased. In such cases, due consideration should be given to co-ordination of each part with the overall HVDC system performance objectives and the interface of each with the system should be clearly defined. Typical of such parts, listed in the appropriate order of relative ease for separate treatment and interface definition, are:

- a) d.c. line, electrode line and earth electrode;
- b) telecommunication system;
- c) converter building, foundations and other civil engineering work;
- d) reactive power supply including a.c. shunt capacitor banks, shunt reactors, synchronous and static reactive power (VAR) compensators;
- e) a.c. switchgear;
- f) d.c. switchgear;
- g) auxiliary systems;
- h) a.c. filters;
- i) d.c. filters;
- j) d.c. reactors;
- k) converter transformers;
- l) surge arresters;
- m) series commutation capacitors;
- n) valves and their ancillaries;
- o) control and protection systems.

NOTE The last four items are the most difficult to separate, and, in fact, separation of these four may be inadvisable.

A complete steady-state performance specification for a HVDC system should consider Clauses 3 to 21 of this report.

Terms and definitions for high-voltage direct current (HVDC) transmission used in this report are given in IEC 60633.

Since the equipment items are usually separately specified and purchased, the HVDC transmission line, earth electrode line and earth electrode (see Clause 10) are included only because of their influence on the HVDC system performance.

For the purpose of this report, an HVDC substation is assumed to consist of one or more converter units installed in a single location together with buildings, reactors, filters, reactive power supply, control, monitoring, protective, measuring and auxiliary equipment. While there is no discussion of a.c. switching substations in this report, a.c. filters and reactive power sources are included, although they may be connected to an a.c. bus separate from the HVDC substation, as discussed in Clause 16.

## 2 Normative references

The following referenced documents are indispensable for the application of this document. For dated references, only the edition cited applies. For undated references, the latest edition of the referenced document (including any amendments) applies.

IEC 60146-1-1, *Semiconductor converters – General requirements and line commutated converters – Part 1-1: Specifications of basic requirements*

IEC/TR 60146-1-2, *Semiconductor convertors – General requirements and line commutated convertors – Part 1-2: Application guide*

IEC 60146-1-3, *Semiconductor convertors – General requirements and line commutated convertors – Part 1-3: Transformers and reactors*

IEC 60633, *Terminology for high-voltage direct current (HVDC) transmission*