



INTERNATIONAL STANDARD

NORME INTERNATIONALE



**Low-voltage switchgear and controlgear –
Part 5-7: Control circuit devices and switching elements – Proximity devices with
analogue output**

**Appareillage à basse tension –
Partie 5-7 : Appareils et éléments de commutation pour circuits de commande –
DéTECTEURS de proximité à sortie analogique**

INTERNATIONAL
ELECTROTECHNICAL
COMMISSION

COMMISSION
ELECTROTECHNIQUE
INTERNATIONALE

ICS 29.130.20

ISBN 978-2-8322-8582-4

**Warning! Make sure that you obtained this publication from an authorized distributor.
Attention! Veuillez vous assurer que vous avez obtenu cette publication via un distributeur agréé.**

CONTENTS

FOREWORD.....	5
1 Scope.....	7
2 Normative references	8
3 Terms, definitions and list of abbreviated terms	8
3.1 Basic definitions.....	8
3.2 Operation of a proximity device.....	9
3.3 Output element characteristics.....	12
3.4 List of abbreviated terms.....	15
4 Classification.....	16
4.1 General.....	16
5 Analog characteristics	16
5.1 General.....	16
5.3 Rated and limiting values for the proximity device and output elements	16
5.3.1 Voltages	16
5.3.2 Currents	16
5.3.3 Load conditions	17
5.3.4 Linearity	17
6 Product information	17
6.1 Nature of information – Identification.....	17
6.1.1 Adding information.....	17
6.1.2 Specific information of 6.1.1 bc) Output characteristics.....	18
6.4 Environmental information	18
6.4.1 Environmentally conscious design process (ECD process)	18
6.4.2 Procedure to establish material declaration	18
7 Normal service, mounting and transport conditions.....	18
8 Constructional and performance requirements.....	19
8.1 General.....	19
8.1.1 Load conditions	19
8.1.18 Security aspects	19
8.1.19 Embedded software	19
8.2 Performance requirements.....	19
8.2.1 Acceptance criteria	19
8.5 Analog output limit values	19
8.5.1 General	19
8.5.2 Environmental test conditions	20
9 Tests	21
9.1 General.....	21
9.3.1 Test sequences	21
9.6 Verification of the electromagnetic compatibility.....	22
9.6.1 General	22
9.8 Additional requirements for proximity switches with analog output	22
9.8.1 Requirements for test programs and proper functioning verification procedures (PFVPs)	22
9.8.2 Verification of analog output	23
9.8.3 Accuracy and related factors	24

9.9	Testing of detection capabilities of physical sizes like operating distance, speed, rotation speed, frequency, etc.	25
9.9.1	General	25
Annex A (informative)	Example of the determination of the conformity	27
A.1	Example 1 of the determination of the conformity of an angle sensor, with linear output characteristics	27
A.2	Example 2 of the determination of the conformity of a position sensor, with nonlinear output characteristics	30
A.3	Test report and technical documentation	32
A.3.1	Test report.....	32
A.3.2	Technical documentation	32
A.3.3	Total probable error TPE	32
Annex B (informative)	Overview tests and influence quantities	34
B.1	Tests at the standard reference conditions.....	34
B.2	Tests at ambient and process reference conditions for influence quantities.....	36
Annex C (normative)	Additional requirements for proximity switches with analog output incorporating a built-in communication interface complying with IEC 61131-9	37
C.1	General.....	37
C.5	Analog Characteristics	37
C.5.1	Rated and limiting values for SDCI	37
C.6	Product information.....	37
C.8	Constructional and performance requirements	37
C.8.1	Constructional requirements	37
C.8.2	Electromagnetic compatibility (EMC)	37
C.9	Tests	38
C.9.1	Kinds of tests.....	38
Annex D (informative)	Main characteristics for proximity devices with analog output	39
D.1	Properties of proximity devices with analog output	39
D.2	Library of product properties and value lists	41
D.2.1	Library of properties used in the device classes.....	41
D.2.2	Value lists of properties	44
Bibliography	46
Figure 1	Proximity device with analog output (PDAO), schematic block diagram structure	7
Figure 2	Principle diagram of time values and their meanings	14
Figure 3	Principle diagram of limit values and their ranges.....	15
Figure 4	limit values of analog output signals.....	20
Figure A.1	Output values diagram corresponding to example of Table A.1	28
Figure A.2	Error curves corresponding to example of Table A.1	29
Figure A.3	Non-linearity error curves corresponding to the example of Table A.1	30
Figure A.4	Output values diagram corresponding to example of Table A.2	31
Figure A.5	Error curves corresponding to example of Table A.2	32
Table 1	Range of analog voltage signals.....	16
Table 2	Range of analog current signals	17
Table 3	Load conditions	17

Table 4 – Analog output signal static characteristics	18
Table 5 – Analog output dynamic characteristics.....	18
Table 6 – Analog output overload immunity test	24
Table 7 – Number of measurement cycles and number and position of test points	24
Table A.1 – Example table for the errors of a linear sensor	27
Table A.2 – Example table for the errors of a nonlinear sensor	31
Table B.1 – Summary of the tests at the reference conditions	34
Table B.2 – Summary of tests for influence quantities at the operating conditions.....	36
Table D.1 – proximity sensing devices with analog output.....	39
Table D.2 – Library of properties used in the device classes	41
Table D.3 – Value lists of properties	44

INTERNATIONAL ELECTROTECHNICAL COMMISSION

LOW-VOLTAGE SWITCHGEAR AND CONTROLGEAR –

Part 5-7: Control circuit devices and switching elements – Proximity devices with analog output

FOREWORD

- 1) The International Electrotechnical Commission (IEC) is a worldwide organization for standardization comprising all national electrotechnical committees (IEC National Committees). The object of IEC is to promote international co-operation on all questions concerning standardization in the electrical and electronic fields. To this end and in addition to other activities, IEC publishes International Standards, Technical Specifications, Technical Reports, Publicly Available Specifications (PAS) and Guides (hereafter referred to as "IEC Publication(s)"). Their preparation is entrusted to technical committees; any IEC National Committee interested in the subject dealt with may participate in this preparatory work. International, governmental and non-governmental organizations liaising with the IEC also participate in this preparation. IEC collaborates closely with the International Organization for Standardization (ISO) in accordance with conditions determined by agreement between the two organizations.
- 2) The formal decisions or agreements of IEC on technical matters express, as nearly as possible, an international consensus of opinion on the relevant subjects since each technical committee has representation from all interested IEC National Committees.
- 3) IEC Publications have the form of recommendations for international use and are accepted by IEC National Committees in that sense. While all reasonable efforts are made to ensure that the technical content of IEC Publications is accurate, IEC cannot be held responsible for the way in which they are used or for any misinterpretation by any end user.
- 4) In order to promote international uniformity, IEC National Committees undertake to apply IEC Publications transparently to the maximum extent possible in their national and regional publications. Any divergence between any IEC Publication and the corresponding national or regional publication shall be clearly indicated in the latter.
- 5) IEC itself does not provide any attestation of conformity. Independent certification bodies provide conformity assessment services and, in some areas, access to IEC marks of conformity. IEC is not responsible for any services carried out by independent certification bodies.
- 6) All users should ensure that they have the latest edition of this publication.
- 7) No liability shall attach to IEC or its directors, employees, servants or agents including individual experts and members of its technical committees and IEC National Committees for any personal injury, property damage or other damage of any nature whatsoever, whether direct or indirect, or for costs (including legal fees) and expenses arising out of the publication, use of, or reliance upon, this IEC Publication or any other IEC Publications.
- 8) Attention is drawn to the Normative references cited in this publication. Use of the referenced publications is indispensable for the correct application of this publication.
- 9) IEC draws attention to the possibility that the implementation of this document may involve the use of (a) patent(s). IEC takes no position concerning the evidence, validity or applicability of any claimed patent rights in respect thereof. As of the date of publication of this document, IEC had not received notice of (a) patent(s), which may be required to implement this document. However, implementers are cautioned that this may not represent the latest information, which may be obtained from the patent database available at <https://patents.iec.ch>. IEC shall not be held responsible for identifying any or all such patent rights.

IEC 60947-5-7 has been prepared by subcommittee 121A: Low-voltage switchgear and controlgear, of IEC technical committee 121: Switchgear and controlgear and their assemblies for low voltage. It is an International Standard.

This second edition cancels and replaces the first edition published in 2003. This edition constitutes a technical revision.

This edition includes the following significant technical changes with respect to the previous edition:

- a) New structure;
- b) Update and expansion of definitions on analog output properties;
- c) Expanded performance requirements on analog output;

- d) Update and new normative references;
- e) Update of EMC requirements;
- f) Harmonization with IEC 62828 series;
- g) Harmonization with IEC 62683 and IEC 61987 definitions;
- h) Harmonization with IEC 61131-2 requirements;
- i) Update of the Annex A (former Annex G), Example of the determination of the conformity;
- j) New Annex B, Overview tests and influence quantities;
- k) New Annex C, Additional requirements for proximity switches with analog output incorporating a built-in communication interface complying with IEC 61131-9;
- l) New Annex D, Main characteristics for proximity devices with analog output.

This International Standard is to be read in conjunction with IEC 60947-5-2:2019.

The text of this International Standard is based on the following documents:

Draft	Report on voting
121A/592/FDIS	121A/604/RVD

Full information on the voting for its approval can be found in the report on voting indicated in the above table.

The language used for the development of this International Standard is English.

This document was drafted in accordance with ISO/IEC Directives, Part 2, and developed in accordance with ISO/IEC Directives, Part 1 and ISO/IEC Directives, IEC Supplement, available at www.iec.ch/members_experts/refdocs. The main document types developed by IEC are described in greater detail at www.iec.ch/publications.

A list of all the parts in the IEC 60947 series, under the general title *Low-voltage switchgear and controlgear*, can be found on the IEC website.

The committee has decided that the contents of this document will remain unchanged until the stability date indicated on the IEC website under webstore.iec.ch in the data related to the specific document. At this date, the document will be

- reconfirmed,
- withdrawn, or
- revised.

IMPORTANT – The "colour inside" logo on the cover page of this document indicates that it contains colours which are considered to be useful for the correct understanding of its contents. Users should therefore print this document using a colour printer.

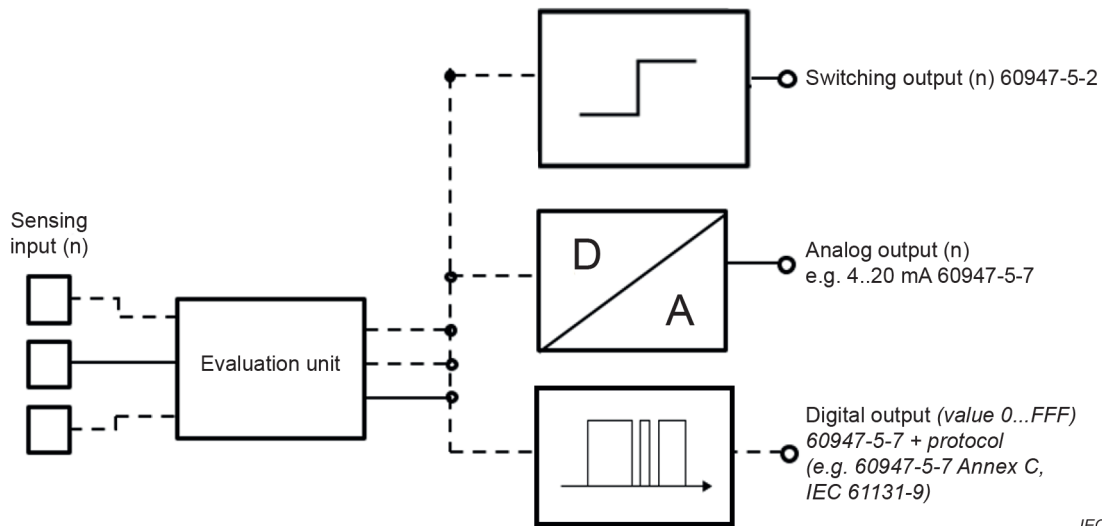
LOW-VOLTAGE SWITCHGEAR AND CONTROLGEAR –

Part 5-7: Control circuit devices and switching elements – Proximity devices with analog output

1 Scope

This part of IEC 60947 states the requirements for proximity devices that correspond to the scope of IEC 60947-5-2:2019 with analog output (PDAO) and/or a digital output to transmit a corresponding digital value representing the detected sensing input. These devices can provide additional parameters. Figure 1 shows the schematic principle of such a device. They might consist of one or more parts.

The requirements of IEC 60947-5-2, *Low-voltage switchgear and controlgear – Part 5-2: Control circuit devices and switching elements – Proximity switches*, apply with the additions and modifications as stated in this document. The clause numbering in this document follows the clause numbering of IEC 60947-5-2, modified where necessary.



IEC

Key

evaluation unit Evaluating electronic circuitry, e.g. MCU, ASIC component...

**Figure 1 – Proximity device with analog output (PDAO),
schematic block diagram structure**

This document does not apply to industrial process measurement transmitters according to IEC 62828 series.

Examples of typical applications for in-scope products:

- factory automation and machinery industry;
- logistic and packaging industry;
- conveyor belts, lifts;
- process industry;
- power plants.

Special applications (e.g. corrosive atmosphere) can cause additional requirements.

Products covered by the scope of this document are expected to be selected, installed, and maintained by skilled personnel only.

NOTE 1 Analog proximity devices can be linear or non linear.

NOTE 2 The specific requirements, characteristics, and test procedures for an analog output interface which are described in Clauses 5, 6 and 9 of this document, are based on requirements written in IEC 61131-2:2017.

2 Normative references

The following documents are referred to in the text in such a way that some or all of their content constitutes requirements of this document. For dated references, only the edition cited applies. For undated references, the latest edition of the referenced document (including any amendments) applies.

IEC 60947-5-2:2019, *Low-voltage switchgear and controlgear – Part 5-2: Control circuit devices and switching elements – Proximity switches*

IEC 61131-9:2022, *Programmable controllers – Part 9: Single-drop digital communication interface for small sensors and actuators (SDCI)*

IEC 62443 (all parts), *Industrial communication networks – Network and system security*

IEC TS 63208:2020, *Low-voltage switchgear and controlgear – Security aspects*

SOMMAIRE

AVANT-PROPOS	51
1 Domaine d'application	54
2 Références normatives	55
3 Termes, définitions et liste des abréviations	55
3.1 Définitions fondamentales	56
3.2 Fonctionnement d'un détecteur de proximité	56
3.3 Caractéristiques de l'élément de sortie	60
3.4 Liste des abréviations	63
4 Classification	64
4.1 Généralités	64
5 Caractéristiques analogiques	64
5.1 Généralités	64
5.3 Valeurs assignées et valeurs limites pour le détecteur de proximité et les éléments de sortie	64
5.3.1 Tensions	64
5.3.2 Courants	64
5.3.3 Conditions de charge	65
5.3.4 Linéarité	65
6 Informations sur le matériel	65
6.1 Nature des informations – Identification	65
6.1.1 Ajout d'informations	65
6.1.2 Informations spécifiques du 6.1.1 bc) Caractéristiques de sortie	66
6.4 Informations relatives à l'environnement	66
6.4.1 Processus d'écoconception (processus ECD)	66
6.4.2 Procédure pour établir la déclaration des matériaux	66
7 Conditions normales de service, de montage et de transport	67
8 Exigences relatives à la construction et aux performances	67
8.1 Généralités	67
8.1.1 Conditions de charge	67
8.1.18 Aspects relatifs à la sécurité	67
8.1.19 Logiciels intégrés	67
8.2 Exigences relatives aux performances	67
8.2.1 Critères d'acceptation	67
8.5 Valeurs limites de sortie analogique	68
8.5.1 Généralités	68
8.5.2 Conditions d'environnement pour les essais	68
9 Essais	69
9.1 Généralités	69
9.3.1 Séquences d'essais	70
9.6 Vérification de la compatibilité électromagnétique	70
9.6.1 Généralités	70
9.8 Exigences supplémentaires pour les détecteurs de proximité à sortie analogique	70
9.8.1 Exigences pour les programmes d'essais et les procédures de vérification du bon fonctionnement (PFVP)	70
9.8.2 Vérification de la sortie analogique	71
9.8.3 Précision et facteurs associés	72

9.9	Essais des capacités de détection de dimensions physiques telles que la portée, la vitesse, la vitesse de rotation, la fréquence, etc.	73
9.9.1	Généralités	73
Annexe A (informative)	Exemple de détermination de la conformité	76
A.1	Exemple 1 de détermination de la conformité d'un capteur d'angle présentant des caractéristiques de sortie linéaires	76
A.2	Exemple 2 de détermination de la conformité d'un capteur de position présentant des caractéristiques de sortie non linéaires	79
A.3	Rapport d'essai et documentation technique	81
A.3.1	Rapport d'essai.....	81
A.3.2	Documentation technique	81
A.3.3	Erreur totale probable (TPE).....	81
Annexe B (informative)	Vue d'ensemble des essais et grandeurs d'influence	83
B.1	Essais dans les conditions de référence normalisées	83
B.2	Essais dans les conditions ambiantes et de référence du processus pour les grandeurs d'influence.....	85
Annexe C (normative)	Exigences supplémentaires pour les détecteurs de proximité à sortie analogique qui comportent une interface de communication intégrée conforme à l'IEC 61131-9.....	86
C.1	Généralités	86
C.5	Caractéristiques analogiques	86
C.5.1	Valeurs assignées et valeurs limites pour les SDCI	86
C.6	Informations sur le matériel.....	86
C.8	Exigences relatives à la construction et aux performances.....	86
C.8.1	Exigences relatives à la construction	86
C.8.2	Compatibilité électromagnétique (CEM).....	86
C.9	Essais.....	87
C.9.1	Nature des essais	87
Annexe D (informative)	Caractéristiques principales des détecteurs de proximité à sortie analogique	88
D.1	Propriétés des détecteurs de proximité à sortie analogique.....	88
D.2	Bibliothèque des propriétés des produits et listes des valeurs.....	90
D.2.1	Bibliothèque des propriétés utilisées dans les classes d'appareils	90
D.2.2	Listes des valeurs des propriétés.....	94
Bibliographie.....		96
Figure 1	– Détecteur de proximité à sortie analogique (PDAO), schéma fonctionnel de la structure	54
Figure 2	– Schéma de principe des valeurs temporelles et de leurs significations	62
Figure 3	– Schéma de principe des valeurs limites et de leurs domaines	63
Figure 4	– Valeurs limites des signaux de sortie analogiques.....	68
Figure A.1	– Diagramme des valeurs de sortie correspondant à l'exemple du Tableau A.1	77
Figure A.2	– Courbes d'erreur correspondant à l'exemple du Tableau A.1.....	78
Figure A.3	– Courbes d'erreur de non-linéarité correspondant à l'exemple du Tableau A.1	79
Figure A.4	– Diagramme des valeurs de sortie correspondant à l'exemple du Tableau A.2	80
Figure A.5	– Courbes d'erreur correspondant à l'exemple du Tableau A.2.....	81

Tableau 1 – Domaine des signaux analogiques en tension	64
Tableau 2 – Domaine des signaux analogiques en courant	65
Tableau 3 – Conditions de charge.....	65
Tableau 4 – Caractéristiques statiques des signaux de sortie analogiques.....	66
Tableau 5 – Caractéristiques dynamiques des sorties analogiques	66
Tableau 6 – Essai d'immunité aux surcharges des sorties analogiques	72
Tableau 7 – Nombre de cycles de mesure et nombre/positions des points d'essai	73
Tableau A.1 – Exemple de tableau pour les erreurs d'un capteur linéaire.....	76
Tableau A.2 – Exemple de tableau pour les erreurs d'un capteur non linéaire	80
Tableau B.1 – Récapitulatif des essais dans les conditions de référence	83
Tableau B.2 – Récapitulatif des essais des grandeurs d'influence dans les conditions de fonctionnement	85
Tableau D.1 – Détecteurs de proximité à sortie analogique.....	88
Tableau D.2 – Bibliothèque des propriétés utilisées dans les classes d'appareils.....	90
Tableau D.3 – Liste des valeurs des propriétés.....	94

COMMISSION ÉLECTROTECHNIQUE INTERNATIONALE

APPAREILLAGE À BASSE TENSION –

Partie 5-7: Appareils et éléments de commutation pour circuits de commande – DéTECTEURS DE PROXIMITÉ À SORTIE ANALOGIQUE

AVANT-PROPOS

- 1) La Commission Électrotechnique Internationale (IEC) est une organisation mondiale de normalisation composée de l'ensemble des comités électrotechniques nationaux (Comités nationaux de l'IEC). L'IEC a pour objet de favoriser la coopération internationale pour toutes les questions de normalisation dans les domaines de l'électricité et de l'électronique. À cet effet, l'IEC – entre autres activités – publie des Normes internationales, des Spécifications techniques, des Rapports techniques, des Spécifications accessibles au public (PAS) et des Guides (ci-après dénommés "Publication(s) de l'IEC"). Leur élaboration est confiée à des comités d'études, aux travaux desquels tout Comité national intéressé par le sujet traité peut participer. Les organisations internationales, gouvernementales et non gouvernementales, en liaison avec l'IEC, participent également aux travaux. L'IEC collabore étroitement avec l'Organisation Internationale de Normalisation (ISO), selon des conditions fixées par accord entre les deux organisations.
- 2) Les décisions ou accords officiels de l'IEC concernant les questions techniques représentent, dans la mesure du possible, un accord international sur les sujets étudiés, étant donné que les Comités nationaux de l'IEC intéressés sont représentés dans chaque comité d'études.
- 3) Les Publications de l'IEC se présentent sous la forme de recommandations internationales et sont agréées comme telles par les Comités nationaux de l'IEC. Tous les efforts raisonnables sont entrepris afin que l'IEC s'assure de l'exactitude du contenu technique de ses publications; l'IEC ne peut pas être tenue responsable de l'éventuelle mauvaise utilisation ou interprétation qui en est faite par un quelconque utilisateur final.
- 4) Dans le but d'encourager l'uniformité internationale, les Comités nationaux de l'IEC s'engagent, dans toute la mesure possible, à appliquer de façon transparente les Publications de l'IEC dans leurs publications nationales et régionales. Toutes divergences entre toutes Publications de l'IEC et toutes publications nationales ou régionales correspondantes doivent être indiquées en termes clairs dans ces dernières.
- 5) L'IEC elle-même ne fournit aucune attestation de conformité. Des organismes de certification indépendants fournissent des services d'évaluation de conformité et, dans certains secteurs, accèdent aux marques de conformité de l'IEC. L'IEC n'est responsable d'aucun des services effectués par les organismes de certification indépendants.
- 6) Tous les utilisateurs doivent s'assurer qu'ils sont en possession de la dernière édition de cette publication.
- 7) Aucune responsabilité ne doit être imputée à l'IEC, à ses administrateurs, employés, auxiliaires ou mandataires, y compris ses experts particuliers et les membres de ses comités d'études et des Comités nationaux de l'IEC, pour tout préjudice causé en cas de dommages corporels et matériels, ou de tout autre dommage de quelque nature que ce soit, directe ou indirecte, ou pour supporter les coûts (y compris les frais de justice) et les dépenses découlant de la publication ou de l'utilisation de cette Publication de l'IEC ou de toute autre Publication de l'IEC, ou au crédit qui lui est accordé.
- 8) L'attention est attirée sur les références normatives citées dans cette publication. L'utilisation de publications référencées est obligatoire pour une application correcte de la présente publication.
- 9) L'IEC attire l'attention sur le fait que la mise en application du présent document peut entraîner l'utilisation d'un ou de plusieurs brevets. L'IEC ne prend pas position quant à la preuve, à la validité et à l'applicabilité de tout droit de brevet revendiqué à cet égard. À la date de publication du présent document, l'IEC n'avait pas reçu notification qu'un ou plusieurs brevets pouvaient être nécessaires à sa mise en application. Toutefois, il y a lieu d'avertir les responsables de la mise en application du présent document que des informations plus récentes sont susceptibles de figurer dans la base de données de brevets, disponible à l'adresse <https://patents.iec.ch>. L'IEC ne saurait être tenue pour responsable de ne pas avoir identifié tout ou partie de tels droits de brevet.

L'IEC 60947-5-7 a été établie par le sous-comité 121A: Appareillage à basse tension, du comité d'études 121 de l'IEC: Appareillages et ensembles d'appareillages basse tension. Il s'agit d'une Norme internationale.

Cette seconde édition annule et remplace la première édition parue en 2003. Cette édition constitue une révision technique.

Cette édition inclut les modifications techniques majeures suivantes par rapport à l'édition précédente:

- a) nouvelle structure;
- b) mise à jour et développement des définitions relatives aux propriétés de sortie analogiques;
- c) développement des exigences relatives aux performances des sorties analogiques;
- d) mise à jour et ajout de nouvelles références normatives;
- e) mise à jour des exigences de CEM;
- f) harmonisation avec la série IEC 62828;
- g) harmonisation avec les définitions de l'IEC 62683 et l'IEC 61987;
- h) harmonisation avec les exigences de l'IEC 61131-2;
- i) mise à jour de l'Annexe A (ancienne Annexe G), Exemple de détermination de la conformité;
- j) ajout de l'Annexe B, Vue d'ensemble des essais et grandeurs d'influence;
- k) ajout de l'Annexe C, Exigences supplémentaires pour les détecteurs de proximité à sortie analogique qui comportent une interface de communication intégrée conforme à l'IEC 61131-9;
- l) ajout de l'Annexe D, Caractéristiques principales des détecteurs de proximité à sortie analogique.

La présente Norme internationale doit être lue conjointement avec l'IEC 60947-5-2:2019.

Le texte de cette Norme internationale est issu des documents suivants:

Projet	Rapport de vote
121A/592/FDIS	121A/604/RVD

Le rapport de vote indiqué dans le tableau ci-dessus donne toute information sur le vote ayant abouti à son approbation.

La langue employée pour l'élaboration de cette Norme internationale est l'anglais.

Le présent document a été rédigé selon les Directives ISO/IEC, Partie 2, il a été développé selon les Directives ISO/IEC, Partie 1 et les Directives ISO/IEC, Supplément IEC, disponibles sous www.iec.ch/members_experts/refdocs. Les principaux types de documents développés par l'IEC sont décrits plus en détail sous www.iec.ch/publications.

Une liste de toutes les parties de la série IEC 60947, publiées sous le titre général *Appareillage à basse tension*, se trouve sur le site web de l'IEC.

Le comité a décidé que le contenu du présent document ne sera pas modifié avant la date de stabilité indiquée sur le site web de l'IEC sous webstore.iec.ch dans les données relatives au document recherché. À cette date, le présent document sera

- reconduit,
- supprimé, ou
- révisé.

IMPORTANT – Le logo "colour inside" qui se trouve sur la page de couverture de ce document indique qu'il contient des couleurs qui sont considérées comme utiles à une bonne compréhension de son contenu. Les utilisateurs devraient, par conséquent, imprimer ce document en utilisant une imprimante couleur.

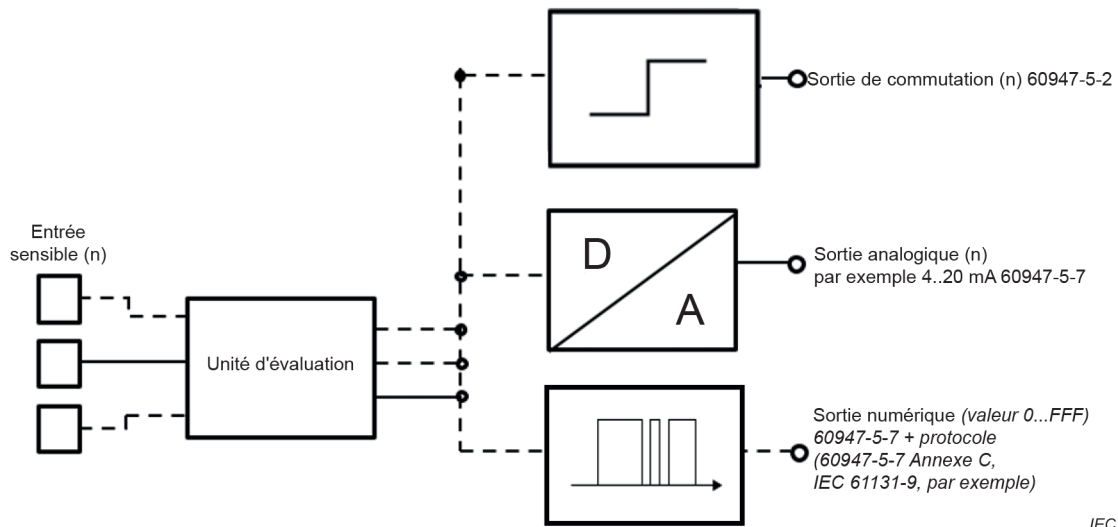
APPAREILLAGE À BASSE TENSION –

Partie 5-7: Appareils et éléments de commutation pour circuits de commande – DéTECTEURS DE PROXIMITÉ À SORTIE ANALOGIQUE

1 Domaine d'application

La présente partie de l'IEC 60947 établit les exigences relatives aux détecteurs de proximité relevant du domaine d'application de l'IEC 60947-5-2:2019 qui comportent une sortie analogique (PDAO, *Proximity Devices with Analog Output*) et/ou une sortie numérique pour transmettre une valeur numérique correspondante qui représente l'entrée sensible détectée. Ces appareils peuvent fournir des paramètres supplémentaires. La Figure 1 représente le schéma de principe d'un tel appareil. Ces dispositifs peuvent être constitués d'une ou de plusieurs parties.

Les exigences de l'IEC 60947-5-2, *Appareillage à basse tension – Partie 5-2: Appareils et éléments de commutation pour circuits de commande – Détecteurs de proximité* s'appliquent, avec les ajouts et les modifications indiqués dans le présent document. La numérotation des articles du présent document suit la numérotation utilisée dans l'IEC 60947-5-2, modifiée si nécessaire.



Légende

unité d'évaluation évaluation des circuits électroniques, par exemple MCU, composant de circuit intégré spécifique...

Figure 1 – Détecteur de proximité à sortie analogique (PDAO), schéma fonctionnel de la structure

Le présent document ne s'applique pas aux transmetteurs de mesure de processus industriels selon la série IEC 62828.

Exemples d'applications types pour les produits relevant du domaine d'application du présent document:

- secteur des machines et de l'automatisation des usines;
- secteur de la logistique et de l'emballage;
- tapis roulants, ascenseurs;
- industrie des procédés;
- centrales électriques.

Certaines applications spécifiques (par exemple, en atmosphères corrosives) peuvent impliquer des exigences supplémentaires.

Il est prévu que les produits relevant du domaine d'application du présent document soient choisis, installés et entretenus par du personnel qualifié uniquement.

NOTE 1 Les détecteurs de proximité analogiques peuvent être linéaires ou non linéaires.

NOTE 2 Les exigences, les caractéristiques et les procédures d'essai spécifiques à une interface de sortie numérique qui sont décrites dans les Articles 5, 6 et 9 du présent document, reposent sur les exigences établies dans l'IEC 61131-2:2017.

2 Références normatives

Les documents suivants sont cités dans le texte de sorte qu'ils constituent, pour tout ou partie de leur contenu, des exigences du présent document. Pour les références datées, seule l'édition citée s'applique. Pour les références non datées, la dernière édition du document de référence s'applique (y compris les éventuels amendements).

IEC 60947-5-2:2019, *Appareillage à basse tension – Partie 5-2: Appareils et éléments de commutation pour circuits de commande – Détecteurs de proximité*

IEC 61131-9:2022, *Automates programmables – Partie 9: Interface de communication numérique point à point pour petits capteurs et actionneurs (SDCI)*

IEC 62443 (toutes les parties), *Réseaux industriels de communication – Sécurité dans les réseaux et les systèmes*

IEC TS 63208:2020, *Low-voltage switchgear and controlgear – Security aspects* (disponible en anglais seulement)