



INTERNATIONAL STANDARD

NORME INTERNATIONALE



GROUP SAFETY PUBLICATION
PUBLICATION GROUPEE DE SÉCURITÉ

**Safety requirements for electrical equipment for measurement, control and laboratory use –
Part 031: Safety requirements for hand-held probe assemblies for electrical measurement and test**

**Règles de sécurité pour appareils électriques de mesurage, de régulation et de laboratoire –
Partie 031: Exigences de sécurité pour sondes équipées tenues à la main pour mesurage et essais électriques**

INTERNATIONAL
ELECTROTECHNICAL
COMMISSION

COMMISSION
ELECTROTECHNIQUE
INTERNATIONALE

ICS 19.080

ISBN 978-2-8322-2701-5

**Warning! Make sure that you obtained this publication from an authorized distributor.
Attention! Veuillez vous assurer que vous avez obtenu cette publication via un distributeur agréé.**

CONTENTS

FOREWORD.....	7
1 Scope and object.....	10
1.1 Scope.....	10
1.1.1 Probe assemblies included in scope.....	10
1.1.2 Probe assemblies excluded from scope.....	13
1.2 Object.....	13
1.2.1 Aspects included in scope.....	13
1.2.2 Aspects excluded from scope.....	13
1.3 Verification.....	13
1.4 Environmental conditions.....	13
1.4.1 Normal environmental conditions.....	13
1.4.2 Extended environmental conditions.....	13
2 Normative references.....	14
3 Terms and definitions.....	14
3.1 Parts and accessories.....	14
3.2 Quantities.....	15
3.3 Tests.....	16
3.4 Safety terms.....	16
3.5 Insulation.....	17
4 Tests.....	18
4.1 General.....	18
4.2 Sequence of tests.....	19
4.3 Reference test conditions.....	19
4.3.1 Environmental conditions.....	19
4.3.2 State of probe assemblies.....	19
4.3.3 Position of the probe assembly.....	19
4.3.4 Accessories.....	20
4.3.5 Covers and removable parts.....	20
4.3.6 Input and output voltages.....	20
4.3.7 Controls.....	20
4.3.8 Connections.....	20
4.3.9 Duty cycle.....	20
4.4 Testing in SINGLE FAULT CONDITION.....	20
4.4.1 General.....	20
4.4.2 Application of fault conditions.....	20
4.4.3 Duration of tests.....	21
4.4.4 Conformity after application of fault conditions.....	21
4.5 Tests in REASONABLY FORESEEABLE MISUSE.....	22
4.5.1 General.....	22
4.5.2 Fuses.....	22
5 Marking and documentation.....	22
5.1 Marking.....	22
5.1.1 General.....	22
5.1.2 Identification.....	22
5.1.3 Fuses.....	23
5.1.4 CONNECTORS and operating devices.....	24

5.1.5	RATING	24
5.2	Warning markings	24
5.3	Durability of markings	24
5.4	Documentation	25
5.4.1	General	25
5.4.2	Probe assembly RATING	25
5.4.3	Probe assembly operation	25
5.4.4	Probe assembly maintenance and service	26
6	Protection against electric shock	26
6.1	General.....	26
6.2	Determination of ACCESSIBLE parts	27
6.2.1	General	27
6.2.2	Examination.....	27
6.2.3	Openings for pre-set controls.....	28
6.3	Limit values for ACCESSIBLE parts	28
6.3.1	General	28
6.3.2	Levels in NORMAL CONDITION.....	29
6.3.3	Levels in SINGLE FAULT CONDITION.....	29
6.3.4	Measurement of voltage and touch current	31
6.4	Means of protection against electric shock	34
6.4.1	General	34
6.4.2	CONNECTORS.....	35
6.4.3	PROBE TIPS.....	36
6.4.4	Impedance.....	38
6.4.5	PROTECTIVE IMPEDANCE	38
6.4.6	BASIC INSULATION, SUPPLEMENTARY INSULATION, DOUBLE INSULATION and REINFORCED INSULATION	39
6.5	Insulation requirements.....	39
6.5.1	The nature of insulation	39
6.5.2	Insulation requirements for probe assemblies	44
6.6	Procedure for voltage tests	50
6.6.1	General	50
6.6.2	Humidity preconditioning	50
6.6.3	Conduct of tests	50
6.6.4	Test voltages.....	51
6.6.5	Test procedures.....	53
6.7	Constructional requirements for protection against electric shock	54
6.7.1	General	54
6.7.2	Insulating materials	54
6.7.3	ENCLOSURES of probe assemblies with DOUBLE INSULATION or REINFORCED INSULATION	54
6.7.4	PROBE WIRE attachment	54
7	Protection against mechanical HAZARDS.....	58
8	Resistance to mechanical stresses	58
8.1	General.....	58
8.2	Rigidity test.....	59
8.3	Drop test.....	59
8.4	Impact swing test.....	59
9	Temperature limits and protection against the spread of fire	60

9.1	General.....	60
9.2	Temperature tests.....	61
10	Resistance to heat.....	61
10.1	Integrity of SPACINGS.....	61
10.2	Resistance to heat.....	61
11	Protection against HAZARDS from fluids.....	61
11.1	General.....	61
11.2	Cleaning.....	61
11.3	Specially protected probe assemblies.....	62
12	Components.....	62
12.1	General.....	62
12.2	Fuses.....	62
12.3	PROBE WIRE.....	63
12.3.1	General.....	63
12.3.2	RATING of PROBE WIRE.....	63
12.3.3	Pressure test at high temperature for insulations.....	63
12.3.4	Tests for resistance of insulation to cracking.....	65
12.3.5	Voltage test.....	65
12.3.6	Tensile test.....	66
13	Prevention of HAZARD from arc flash and short-circuits.....	68
13.1	General.....	68
13.2	Exposed conductive parts.....	68
Annex A	(normative) Measuring circuits for touch current (see 6.3).....	69
A.1	Measuring circuits for a.c. with frequencies up to 1 MHz and for d.c.	69
A.2	Measuring circuits for a.c. with sinusoidal frequencies up to 100 Hz and for d.c.	69
A.3	Current measuring circuit for electrical burns at frequencies above 100 kHz.....	70
A.4	Current measuring circuit for WET LOCATIONS.....	71
Annex B	(normative) Standard test fingers.....	73
Annex C	(normative) Measurement of CLEARANCES and CREEPAGE DISTANCES.....	76
Annex D	(normative) Routine spark tests on PROBE WIRE.....	78
D.1	General.....	78
D.2	Spark test procedure.....	78
D.3	Routine spark test method for PROBE WIRE.....	80
Annex E	(informative) 4 mm CONNECTORS.....	82
E.1	General.....	82
E.2	Dimensions.....	82
Annex F	(normative) MEASUREMENT CATEGORIES.....	84
F.1	General.....	84
F.2	MEASUREMENT CATEGORIES.....	84
F.2.1	MEASUREMENT CATEGORY II.....	84
F.2.2	MEASUREMENT CATEGORY III.....	84
F.2.3	MEASUREMENT CATEGORY IV.....	84
F.2.4	Probe assemblies without a MEASUREMENT CATEGORY RATING.....	85
Annex G	Index of defined terms.....	86
Bibliography	87

Figure 1 – Examples of type A probe assemblies	11
Figure 2 – Examples of type B probe assemblies	11
Figure 3 – Examples of type C probe assemblies	12
Figure 4 – Examples of type D probe assemblies	12
Figure 5 – Example of a STACKABLE CONNECTOR with a male CONNECTOR and a female TERMINAL	15
Figure 6 – Methods for determination of ACCESSIBLE parts (see 6.2) and for voltage tests of (see 6.4.2)	28
Figure 7 – Capacitance level versus voltage in NORMAL CONDITION and SINGLE-FAULT CONDITION (see 6.3.2 c) and 6.3.3 c)	30
Figure 8 – Voltage and touch current measurement	31
Figure 9 – Voltage and touch current measurement for the reference CONNECTOR	32
Figure 10 – Voltage and touch current measurement with shielded test probe	33
Figure 11 – Maximum test probe input voltage for 70 mA touch current	34
Figure 12 – Protection by a PROTECTIVE FINGERGUARD	37
Figure 13 – Protection by distance	37
Figure 14 – Protection by tactile indicator	38
Figure 15 – Distance between conductors on an interface between two layers	42
Figure 16 – Distance between adjacent conductors along an interface of two layers	42
Figure 17 – Distance between adjacent conductors located between the same two layers	44
Figure 18 – Example of recurring peak voltage	47
Figure 19 – Flexing test	56
Figure 20 – Rotational flexing test	58
Figure 21 – Impact swing test	60
Figure 22 – Indentation device	64
Figure A.1 – Measuring circuit for a.c. with frequencies up to 1 MHz and for d.c.	69
Figure A.2 – Measuring circuits for a.c. with sinusoidal frequencies up to 100 Hz and for d.c.	70
Figure A.3 – Current measuring circuit for electrical burns	71
Figure A.4 – Current measuring circuit for high frequency test probes	71
Figure A.5 – Current measuring circuit for WET LOCATIONS	72
Figure B.1 – Rigid test finger	73
Figure B.2 – Jointed test finger	74
Figure D.1 – Bead Chain Configuration (if applicable)	79
Figure E.1 – Recommended dimensions of 4 mm CONNECTORS	82
Figure F.1 – Example to identify the locations of MEASUREMENT CATEGORIES	85
Table 1 – Symbols	23
Table 2 – SPACINGS for unmated CONNECTORS RATED up to 1 000 V a.c. or 1 500 V d.c. with HAZARDOUS LIVE conductive parts	36
Table 3 – Multiplication factors for CLEARANCES of probe assembly RATED for operation at altitudes up to 5 000 m	40
Table 4 – Test voltages for testing solid insulation	41
Table 5 – Minimum values for distance or thickness	43

Table 6 – CLEARANCES for probe assemblies of MEASUREMENT CATEGORIES II, III and IV	44
Table 7 – CLEARANCE values for the calculation of 6.5.2.3.2.....	46
Table 8 – CLEARANCES for BASIC INSULATION in probe assemblies subjected to recurring peak voltages or WORKING VOLTAGES with frequencies above 30 kHz.....	48
Table 9 – CREEPAGE DISTANCES for BASIC INSULATION or SUPPLEMENTARY INSULATION	49
Table 10 – Test voltages based on CLEARANCES.....	52
Table 11 – Correction factors according to test site altitude for test voltages for CLEARANCES	53
Table 12 – Pull forces for PROBE WIRE attachment tests.....	57
Table 13 – Diameter of mandrel and numbers of turns	65
Table C.1 – Dimension of X	76
Table D.1 – Maximum centre-to-centre spacings of bead chains	78
Table D.2 – Formula for maximum speed of wire in terms of electrode length L of link- or bead-chain electrode	80
Table F.1 – Characteristics of MEASUREMENT CATEGORIES.....	85

INTERNATIONAL ELECTROTECHNICAL COMMISSION

SAFETY REQUIREMENTS FOR ELECTRICAL EQUIPMENT FOR MEASUREMENT, CONTROL AND LABORATORY USE –

Part 031: Safety requirements for hand-held probe assemblies for electrical measurement and test

FOREWORD

- 1) The International Electrotechnical Commission (IEC) is a worldwide organization for standardization comprising all national electrotechnical committees (IEC National Committees). The object of IEC is to promote international co-operation on all questions concerning standardization in the electrical and electronic fields. To this end and in addition to other activities, IEC publishes International Standards, Technical Specifications, Technical Reports, Publicly Available Specifications (PAS) and Guides (hereafter referred to as "IEC Publication(s)"). Their preparation is entrusted to technical committees; any IEC National Committee interested in the subject dealt with may participate in this preparatory work. International, governmental and non-governmental organizations liaising with the IEC also participate in this preparation. IEC collaborates closely with the International Organization for Standardization (ISO) in accordance with conditions determined by agreement between the two organizations.
- 2) The formal decisions or agreements of IEC on technical matters express, as nearly as possible, an international consensus of opinion on the relevant subjects since each technical committee has representation from all interested IEC National Committees.
- 3) IEC Publications have the form of recommendations for international use and are accepted by IEC National Committees in that sense. While all reasonable efforts are made to ensure that the technical content of IEC Publications is accurate, IEC cannot be held responsible for the way in which they are used or for any misinterpretation by any end user.
- 4) In order to promote international uniformity, IEC National Committees undertake to apply IEC Publications transparently to the maximum extent possible in their national and regional publications. Any divergence between any IEC Publication and the corresponding national or regional publication shall be clearly indicated in the latter.
- 5) IEC itself does not provide any attestation of conformity. Independent certification bodies provide conformity assessment services and, in some areas, access to IEC marks of conformity. IEC is not responsible for any services carried out by independent certification bodies.
- 6) All users should ensure that they have the latest edition of this publication.
- 7) No liability shall attach to IEC or its directors, employees, servants or agents including individual experts and members of its technical committees and IEC National Committees for any personal injury, property damage or other damage of any nature whatsoever, whether direct or indirect, or for costs (including legal fees) and expenses arising out of the publication, use of, or reliance upon, this IEC Publication or any other IEC Publications.
- 8) Attention is drawn to the Normative references cited in this publication. Use of the referenced publications is indispensable for the correct application of this publication.
- 9) Attention is drawn to the possibility that some of the elements of this IEC Publication may be the subject of patent rights. IEC shall not be held responsible for identifying any or all such patent rights.

International Standard IEC 61010-031 has been prepared by IEC technical committee 66: Safety of measuring, control and laboratory equipment.

It has the status of a group safety publication in accordance with IEC GUIDE 104.

IEC 61010-031 is a stand-alone standard. This second edition cancels and replaces the first edition published in 2002 and Amendment 1:2008. This edition constitutes a technical revision.

This edition includes the following significant changes from the first edition, as well as numerous other changes:

- a) Voltages above the levels of 30 V r.m.s., 42,4 V peak, or 60 V d.c. are deemed to be HAZARDOUS LIVE instead of 33 V r.m.s., 46,7 V peak, or 70 V d.c.

- b) Servicing is now included within the scope.
- c) Extended environmental conditions are included within the scope.
- d) New terms have been defined.
- e) Tests for REASONABLY FORESEEABLE MISUSE have been added, in particular for fuses.
- f) Additional instruction requirements for probe assembly operation have been specified.
- g) Limit values for ACCESSIBLE parts and for measurement of voltage and touch current have been modified.
- h) SPACINGS requirements for mating of CONNECTORS have been modified.
- i) PROBE TIPS and SPRING-LOADED CLIPS requirements have been modified. The PROTECTIVE FINGERGUARD replace the BARRIER with new requirements.
- j) Insulation requirements (6.5) and test procedures (6.6.5) have been rewritten and aligned when relevant with Part 1. Specific requirements have been added for solid insulation and thin-film insulation.
- k) The terminology for MEASUREMENT CATEGORY I has been replaced with the designation “not RATED for measurements within MEASUREMENT CATEGORIES II, III, or IV”.
- l) The flexing/pull test (6.7.4.3) has been partially rewritten.
- m) Surface temperature limits (Clause 10) have been modified to conform to the limits of IEC Guide 117.
- n) Requirements for resistance of PROBE WIRES to mechanical stresses have been added in Clause 12 and a new Annex D.
- o) Requirements have been added regarding the prevention of HAZARD from arc flash and short-circuits for SPRING-LOADED CLIPS.
- p) A new informative Annex E defines the dimension of the 4 mm banana CONNECTORS.

The text of this standard is based on the following documents:

FDIS	Report on voting
66/569/FDIS	66/571/RVD

Full information on the voting for the approval of this standard can be found in the report on voting indicated in the above table.

This publication has been drafted in accordance with the ISO/IEC Directives, Part 2.

A list of all parts of the IEC 61010 series, under the general title, *Safety requirements for electrical equipment for measurement, control, and laboratory use*, may be found on the IEC website.

In this standard, the following print types are used:

- requirements and definitions: in roman type;
- NOTES and EXAMPLES: in smaller roman type;
- *conformity and tests: in italic type;*
- terms used throughout this standard which have been defined in Clause 3: SMALL ROMAN CAPITALS.

The committee has decided that the contents of this publication will remain unchanged until the stability date indicated on the IEC web site under "<http://webstore.iec.ch>" in the data related to the specific publication. At this date, the publication will be

- reconfirmed,
- withdrawn,
- replaced by a revised edition, or
- amended.

IMPORTANT – The 'colour inside' logo on the cover page of this publication indicates that it contains colours which are considered to be useful for the correct understanding of its contents. Users should therefore print this document using a colour printer.

SAFETY REQUIREMENTS FOR ELECTRICAL EQUIPMENT FOR MEASUREMENT, CONTROL AND LABORATORY USE –

Part 031: Safety requirements for hand-held probe assemblies for electrical measurement and test

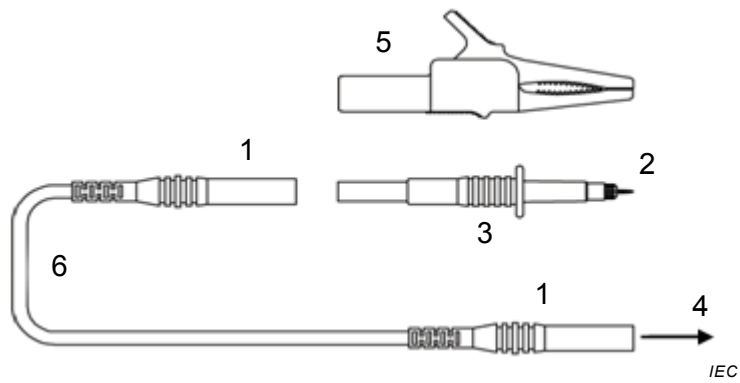
1 Scope and object

1.1 Scope

1.1.1 Probe assemblies included in scope

This part of IEC 61010 specifies safety requirements for hand-held and hand-manipulated probe assemblies of the types described below, and their related accessories. These probe assemblies are for direct electrical connection between a part and electrical test and measurement equipment. They may be fixed to the equipment or be detachable accessories for the equipment.

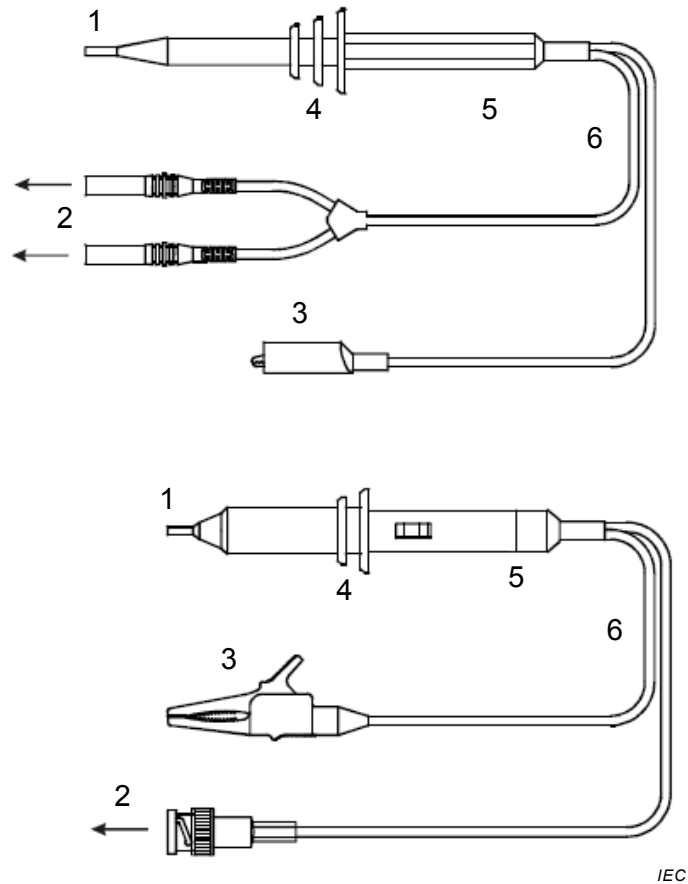
- a) Type A: low-voltage and high-voltage, non-attenuating probe assemblies. Non-attenuating probe assemblies that are **RATED** for direct connection to voltages exceeding 30 V r.m.s., 42,4 V peak, or 60 V d.c., but not exceeding 63 kV. They do not incorporate components which are intended to provide a voltage divider function or a signal conditioning function, but they may contain non-attenuating components such as fuses (see Figure 1.)
- b) Type B: high-voltage attenuating or divider probe assemblies. Attenuating or divider probe assemblies that are **RATED** for direct connection to secondary voltages exceeding 1 kV r.m.s. or 1,5 kV d.c. but not exceeding 63 kV r.m.s. or d.c. The divider function may be carried out wholly within the probe assembly, or partly within the test or measurement equipment to be used with the probe assembly (see Figure 2).
- c) Type C: low-voltage attenuating or divider probe assemblies. Attenuating or divider probe assemblies for direct connection to voltages not exceeding 1 kV r.m.s. or 1,5 kV d.c. The signal conditioning function may be carried out wholly within the probe assembly, or partly within the test or measurement equipment intended to be used with the probe assembly (see Figure 3).
- d) Type D: low-voltage attenuating, non-attenuating or other signal conditioning probe assemblies, that are **RATED** for direct connection only to voltages not exceeding 30 V r.m.s., or 42,4 V peak, or 60 V d.c., and are suitable for currents exceeding 8 A (see Figure 4).



Key

- | | |
|----------------------|----------------------|
| 1 typical CONNECTORS | 4 to equipment |
| 2 PROBE TIP | 5 SPRING-LOADED CLIP |
| 3 probe body | 6 PROBE WIRE |

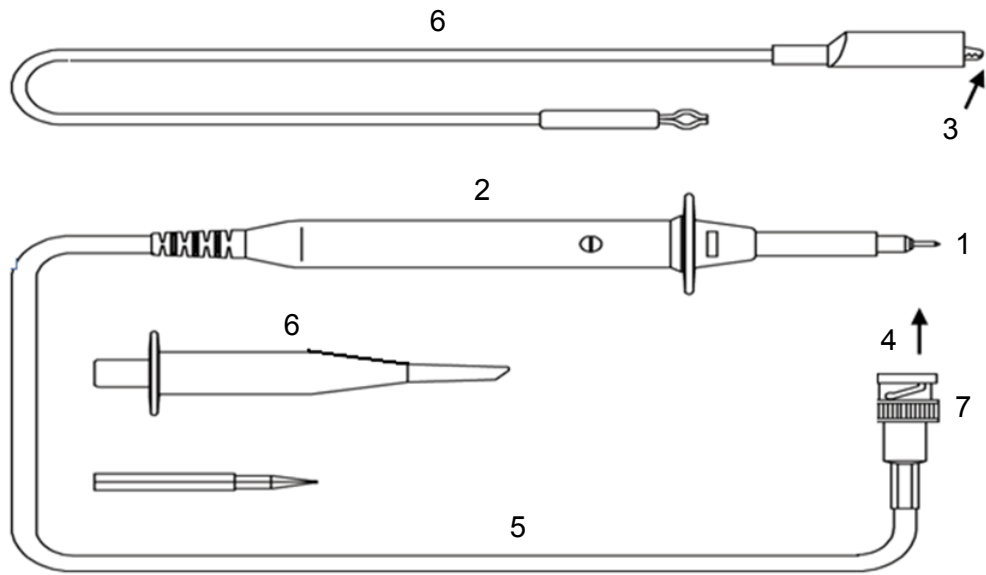
Figure 1 – Examples of type A probe assemblies



Key

- | | |
|-----------------------|--------------------------------|
| 1 PROBE TIP | 4 PROTECTIVE FINGERGUARD |
| 2 to equipment | 5 hand-held area of probe body |
| 3 reference CONNECTOR | 6 PROBE WIRE |

Figure 2 – Examples of type B probe assemblies

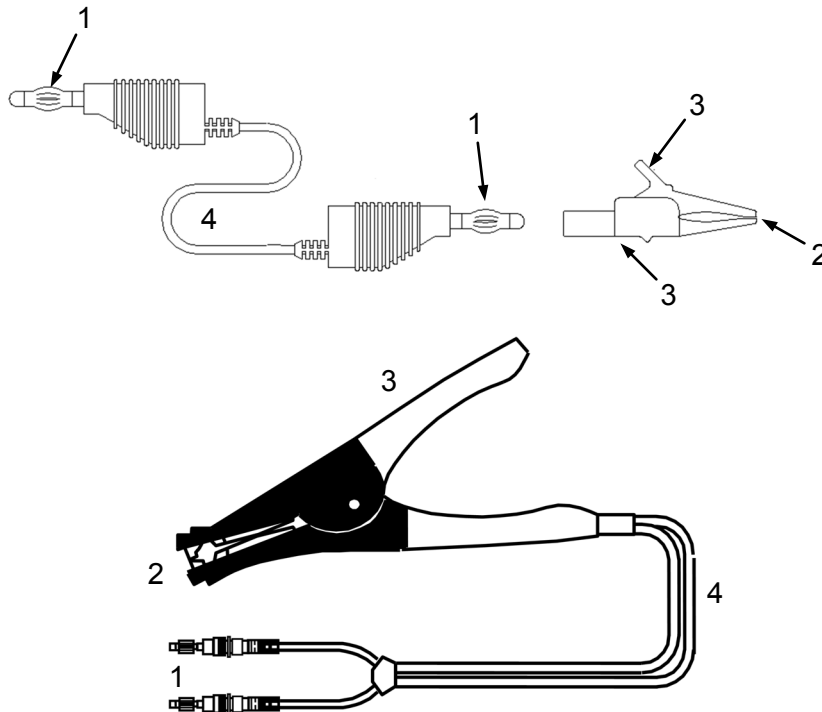


IEC

Key

- | | |
|-----------------------|---------------------------|
| 1 PROBE TIP | 5 PROBE WIRE |
| 2 probe body | 6 examples of accessories |
| 3 reference CONNECTOR | 7 BNC CONNECTOR |
| 4 to equipment | |

Figure 3 – Examples of type C probe assemblies



IEC

Key

- | | |
|-------------|---|
| 1 CONNECTOR | 3 hand-held area of SPRING-LOADED CLIP or clamp |
| 2 PROBE TIP | 4 PROBE WIRE |

Figure 4 – Examples of type D probe assemblies

1.1.2 Probe assemblies excluded from scope

This standard does not apply to current sensors within the scope of IEC 61010-2-032 (Hand-held and hand-manipulated current sensors), but may apply to their input measuring circuit leads and accessories.

1.2 Object

1.2.1 Aspects included in scope

The purpose of the requirements of this standard is to ensure that HAZARDS to the OPERATOR and the surrounding area are reduced to a tolerable level.

Requirements for protection against particular types of HAZARDS are given in Clauses 6 to 13, as follows:

- a) electric shock or burn (see Clauses 6, 10 and 11);
- b) mechanical HAZARDS (see Clauses 7, 8 and 11);
- c) excessive temperature (see Clause 9);
- d) spread of fire from the probe assembly (see Clause 9);
- e) arc flash (see Clause 13).

Additional requirements for probe assemblies which are designed to be powered from a low-voltage mains supply, or include other features not specifically addressed in this standard are in other parts of IEC 61010.

NOTE Attention is drawn to the possible existence of additional requirements regarding the health and safety of labour forces.

1.2.2 Aspects excluded from scope

This standard does not cover:

- a) reliable function, performance, or other properties of the probe assembly;
- b) effectiveness of transport packaging.

1.3 Verification

This standard also specifies methods of verifying that the probe assembly meets the requirements of this standard, through inspection, TYPE TESTS, and ROUTINE TESTS.

1.4 Environmental conditions

1.4.1 Normal environmental conditions

This standard applies to probe assemblies designed to be safe at least under the following conditions:

- a) altitude up to 2 000 m;
- b) ambient temperature of 5 °C to 40 °C;
- c) maximum relative humidity of 80 % for temperatures up to 31 °C decreasing linearly to 50 % relative humidity at 40 °C;
- d) applicable POLLUTION DEGREE of the intended environment.

1.4.2 Extended environmental conditions

This standard applies to probe assemblies designed to be safe not only in the environmental conditions specified in 1.4.1, but also in any of the following conditions as RATED by the manufacturer of the probe assemblies:

- a) outdoor use;
- b) altitudes above 2 000 m;
- c) ambient temperatures below 5 °C or above 40 °C;
- d) relative humidities above the levels specified in 1.4.1;
- e) WET LOCATIONS.

2 Normative references

The following documents, in whole or in part, are normatively referenced in this document and are indispensable for its application. For dated references, only the edition cited applies. For undated references, the latest edition of the referenced document (including any amendments) applies.

IEC 60027 (all parts), *Letters symbols to be used in electrical technology*

IEC 60529, *Degrees of protection provided by enclosures (IP Code)*

IEC 61010-1:2010, *Safety requirements for electrical equipment for measurement, control, and laboratory use – Part 1: General requirements*

IEC 61180-1:1992, *High-voltage test techniques for low voltage equipment – Part 1: Definitions, test and procedure requirements*

IEC 61180-2, *High-voltage test techniques for low-voltage equipment – Part 2: Test equipment*

IEC GUIDE 104, *The preparation of safety publications and the use of basic safety publications and group safety publications*

ISO/IEC GUIDE 51, *Safety aspects – Guidelines for their inclusion in standards*

SOMMAIRE

AVANT-PROPOS	93
1 Domaine d'application et objet	96
1.1 Domaine d'application	96
1.1.1 Sondes équipées incluses dans le domaine d'application	96
1.1.2 Sondes équipées exclues du domaine d'application	99
1.2 Objet	99
1.2.1 Aspects inclus dans le domaine d'application	99
1.2.2 Aspects exclus du domaine d'application	99
1.3 Vérification	99
1.4 Conditions d'environnement	99
1.4.1 Conditions normales d'environnement	99
1.4.2 Conditions d'environnement étendues	100
2 Références normatives	100
3 Termes et définitions	100
3.1 Parties et accessoires	100
3.2 Grandeurs	102
3.3 Essais	102
3.4 Termes de sécurité	102
3.5 Isolation	103
4 Tests	104
4.1 Généralités	104
4.2 Séquence d'essais	105
4.3 Conditions de référence pour les essais	105
4.3.1 Conditions d'environnement	105
4.3.2 État des sondes équipées	106
4.3.3 Position de la sonde équipée	106
4.3.4 Accessoires	106
4.3.5 Couvertres et parties amovibles	106
4.3.6 Tensions d'entrée et de sortie	106
4.3.7 Dispositifs de commande	106
4.3.8 Raccordements	106
4.3.9 Cycle de service	106
4.4 Essais en CONDITION DE PREMIER DEFAUT	106
4.4.1 Généralités	106
4.4.2 Application des conditions de défaut	107
4.4.3 Durée des essais	107
4.4.4 Conformité après application des conditions de défaut	108
4.5 Essais en MAUVAIS USAGE RAISONNABLEMENT PREVISIBLE	108
4.5.1 Généralités	108
4.5.2 Fusibles	108
5 Marquage et documentations	109
5.1 Marquage	109
5.1.1 Généralités	109
5.1.2 Identification	109
5.1.3 Fusibles	110
5.1.4 CONNECTEURS et dispositifs de manœuvre	110

5.1.5	CARACTÉRISTIQUES ASSIGNÉES	111
5.2	Marquages d'avertissement	111
5.3	Durabilité du marquage	111
5.4	Documentation	112
5.4.1	Généralités	112
5.4.2	CARACTÉRISTIQUES ASSIGNÉES des sondes équipées	112
5.4.3	Fonctionnement de sonde équipée	112
5.4.4	Maintenance et entretien des sondes équipées	113
6	Protection contre les chocs électriques	113
6.1	Généralités	113
6.2	Détermination des parties ACCESSIBLES	114
6.2.1	Généralités	114
6.2.2	Examen	114
6.2.3	Ouvertures d'accès aux commandes pré-réglées	115
6.3	Valeurs limites pour les parties ACCESSIBLES	116
6.3.1	Généralités	116
6.3.2	Niveaux en CONDITION NORMALE	116
6.3.3	Niveaux en CONDITION DE PREMIER DEFAUT	116
6.3.4	Mesure de la tension et du courant de contact	119
6.4	Moyens de protection contre les chocs électriques	122
6.4.1	Généralités	122
6.4.2	CONNECTEURS	123
6.4.3	POINTES DE TOUCHE	124
6.4.4	Impédance	126
6.4.5	IMPÉDANCE DE PROTECTION	127
6.4.6	ISOLATION PRINCIPALE, ISOLATION SUPPLEMENTAIRE, DOUBLE ISOLATION et ISOLATION RENFORCEE	127
6.5	Exigences relatives à l'isolation	128
6.5.1	Nature de l'isolation	128
6.5.2	Exigences relatives à l'isolation des sondes équipées	132
6.6	Procédure pour les essais de tension	139
6.6.1	Généralités	139
6.6.2	Pré-conditionnement à l'humidité	139
6.6.3	Conduite des essais	139
6.6.4	Tensions d'essai	140
6.6.5	Procédures d'essai	142
6.7	Exigences relatives à la construction pour la protection contre les chocs électriques	143
6.7.1	Généralités	143
6.7.2	Matériaux isolants	143
6.7.3	ENVELOPPES des sondes équipées avec DOUBLE ISOLATION ou ISOLATION RENFORCEE	143
6.7.4	Attache de FIL DE SONDÉ	144
7	Protection contre les DANGERS mécaniques	147
8	Résistance aux contraintes mécaniques	147
8.1	Généralités	147
8.2	Essai de rigidité	148
8.3	Essai de chute	148
8.4	Essai d'oscillation	148

9	Limites de température et protection contre la propagation du feu	149
9.1	Généralités	149
9.2	Essais thermiques.....	150
10	Résistance à la chaleur	150
10.1	Intégrité des ESPACEMENTS.....	150
10.2	Résistance à la chaleur.....	150
11	Protection contre les DANGERS des fluides	150
11.1	Généralités	150
11.2	Nettoyage	151
11.3	Sondes équipées avec protection spéciale.....	151
12	Composants	151
12.1	Généralités	151
12.2	Fusibles	152
12.3	FIL DE SONDE	152
12.3.1	Généralités	152
12.3.2	CARACTERISTIQUE ASSIGNEE du FIL DE SONDE.....	152
12.3.3	Essai de pression à haute température pour les isolations.....	153
12.3.4	Essais de résistance de l'isolation à la fissuration.....	154
12.3.5	Tension d'essai.....	155
12.3.6	Essai de traction.....	156
13	Prévention du DANGER d'arc électrique et de courts-circuits	157
13.1	Généralités	157
13.2	Parties conductrices exposées.....	158
Annexe A (normative)	Circuits de mesure du courant de contact (voir 6.3).....	159
A.1	Circuits de mesure du courant alternatif à des fréquences jusqu'à 1 MHz et du courant continu	159
A.2	Circuits de mesure du courant alternatif à des fréquences sinusoïdales jusqu'à 100 Hz et du courant continu	160
A.3	Circuit de mesure du courant pour les brûlures électriques à des fréquences au-dessus de 100 kHz	160
A.4	Circuit de mesure du courant en EMBLEMES HUMIDES	161
Annexe B (normative)	Doigts d'épreuve normalisés	163
Annexe C (normative)	Mesure de DISTANCES D'ISOLEMENT et de LIGNES DE FUITE.....	166
ANNEXE D (normative)	Essais individuels de série aux étincelles sur FIL DE SONDE	168
D.1	Généralités	168
D.2	Procédure d'essai aux étincelles	168
D.3	Méthode d'essais individuels de série aux étincelles pour FIL DE SONDE.....	171
Annexe E (informative)	CONNECTEURS de 4 mm	172
E.1	Généralités	172
E.2	Dimensions	172
Annexe F (normative)	CATÉGORIES DE MESURE.....	174
F.1	Généralités	174
F.2	CATÉGORIES DE MESURE	174
F.2.1	CATÉGORIE DE MESURE II.....	174
F.2.2	CATÉGORIE DE MESURE III.....	174
F.2.3	CATÉGORIE DE MESURE IV.....	174
F.2.4	Sondes équipées sans CATEGORIE DE MESURE ASSIGNEE	175
Annexe G	Index des termes définis.....	176

Bibliographie.....	177
Figure 1 – Exemples de sondes équipées de Type A	97
Figure 2 – Exemples de sondes équipées de Type B	97
Figure 3 – Exemples de sondes équipées de Type C	98
Figure 4 – Exemples de sondes équipées de Type D	98
Figure 5 – Exemple de CONNECTEUR EMPILABLE avec un CONNECTEUR mâle et une BORNE femelle	101
Figure 6 – Méthodes pour la détermination des parties ACCESSIBLES (voir 6.2) et pour les essais de tension (voir 6.4.2)	115
Figure 7 – Niveau de capacité en fonction de la tension en CONDITION NORMALE et en CONDITION DE PREMIER DEF AUT (voir 6.3.2 c) et 6.3.3 c)).....	118
Figure 8 – Mesure de la tension et du courant de contact	119
Figure 9 – Mesure de la tension et du courant de contact pour le CONNECTEUR de référence	120
Figure 10 – Mesure de la tension et du courant de contact avec sonde d'essai blindée.....	121
Figure 11 – Tension d'entrée maximale de la sonde d'essai pour un courant de contact de 70 mA	122
Figure 12 – Protection par un PROTEGE-DOIGTS	125
Figure 13 – Protection par la distance.....	126
Figure 14 – Protection par indicateur tactile	126
Figure 15 – Distance entre conducteurs sur une interface entre deux couches	130
Figure 16 – Distance entre conducteurs adjacents, le long de l'interface de deux couches	131
Figure 17 – Distance entre conducteurs adjacents situés sur les deux mêmes couches	132
Figure 18 – Exemple de tension de crête répétitive	136
Figure 19 – Essai de flexion.....	145
Figure 20 – Essai de flexion en rotation	147
Figure 21 – Essai d'oscillation.....	149
Figure 22 – Dispositif de pénétration.....	153
Figure A.1 – Circuit de mesure du courant alternatif à des fréquences jusqu'à 1 MHz et du courant continu.	159
Figure A.2 – Circuits de mesure d'un courant à des fréquences sinusoïdales jusqu'à 100 Hz et du courant continu.	160
Figure A.3 – Circuit de mesure du courant pour brûlures électriques.....	161
Figure A.4 – Circuit de mesure du courant pour les sondes d'essai à haute fréquence.....	161
Figure A.5 – Circuit de mesure du courant en EMBLEM ENTS HUMIDES	162
Figure B.1 – Doigt d'épreuve rigide	163
Figure B.2 – Doigt d'épreuve articulé	164
Figure D.1 – Configuration de chaînes à boules (si applicable)	169
Figure E.1 – Dimensions recommandées pour les CONNECTEURS de 4 mm	173
Figure F.1 – Exemple d'identification des emplacements des CATEGORIES DE MESURE	175
Tableau 1 – Symboles	110

Tableau 2 – ESPACEMENTS pour CONNECTEURS découplés de tension ASSIGNEE inférieure ou égale à 1 000 V alternatifs ou 1 500 V continus avec des parties conductrices ACTIVES DANGEREUSES	124
Tableau 3 – Coefficient multiplicateur pour les DISTANCES D'ISOLEMENT d'une sonde équipée pour un fonctionnement jusqu' à 5 000 m d'altitude ASSIGNEE	129
Tableau 4 – Tensions d'essai pour l'essai de l'isolation solide	130
Tableau 5 – Valeurs minimales pour la distance ou l'épaisseur	131
Tableau 6 – DISTANCES D'ISOLEMENT des sondes équipées en CATEGORIES DE MESURE II, III et IV	133
Tableau 7 – Valeurs de la DISTANCE D'ISOLEMENT pour le calcul du 6.5.2.3.2	135
Tableau 8 – DISTANCES D'ISOLEMENT pour l'ISOLATION PRINCIPALE des sondes équipées soumises à des tensions de crête répétitives ou dont la fréquence des TENSIONS DE SERVICE est supérieure à 30 kHz	137
Tableau 9 – LIGNES DE FUITE pour L'ISOLATION PRINCIPALE ou L'ISOLATION SUPPLÉMENTAIRE	138
Tableau 10 – Tension d'essai en fonction des DISTANCES D'ISOLEMENT	141
Tableau 11 – Coefficients de correction des tensions d'essai des DISTANCES D'ISOLEMENT suivant l'altitude du site d'essai	142
Tableau 12– Forces de traction pour les essais d'attache de FIL DE SONDE	146
Tableau 13 – Diamètre de mandrin et nombre de tours	154
Tableau C.1– Dimension X	166
Tableau D.1 – Espacements maximaux entre les centres des chaînes à boules	169
Tableau D.2 – Formule pour la vitesse maximale du fil en fonction de la longueur d'électrode L d'une électrode du type chaîne à maillons ou chaîne à boules	170
Tableau F.1 – Caractéristiques des CATEGORIES DE MESURE	175

COMMISSION ÉLECTROTECHNIQUE INTERNATIONALE

RÈGLES DE SÉCURITÉ POUR APPAREILS ÉLECTRIQUES DE MESURAGE, DE RÉGULATION ET DE LABORATOIRE –

Partie 031: Exigences de sécurité pour sondes équipées tenues à la main pour mesurage et essais électriques

AVANT-PROPOS

- 1) La Commission Electrotechnique Internationale (IEC) est une organisation mondiale de normalisation composée de l'ensemble des comités électrotechniques nationaux (Comités nationaux de l'IEC). L'IEC a pour objet de favoriser la coopération internationale pour toutes les questions de normalisation dans les domaines de l'électricité et de l'électronique. A cet effet, l'IEC – entre autres activités – publie des Normes internationales, des Spécifications techniques, des Rapports techniques, des Spécifications accessibles au public (PAS) et des Guides (ci-après dénommés "Publication(s) de l'IEC"). Leur élaboration est confiée à des comités d'études, aux travaux desquels tout Comité national intéressé par le sujet traité peut participer. Les organisations internationales, gouvernementales et non gouvernementales, en liaison avec l'IEC, participent également aux travaux. L'IEC collabore étroitement avec l'Organisation Internationale de Normalisation (ISO), selon des conditions fixées par accord entre les deux organisations.
- 2) Les décisions ou accords officiels de l'IEC concernant les questions techniques représentent, dans la mesure du possible, un accord international sur les sujets étudiés, étant donné que les Comités nationaux de l'IEC intéressés sont représentés dans chaque comité d'études.
- 3) Les Publications de l'IEC se présentent sous la forme de recommandations internationales et sont agréées comme telles par les Comités nationaux de l'IEC. Tous les efforts raisonnables sont entrepris afin que l'IEC s'assure de l'exactitude du contenu technique de ses publications; l'IEC ne peut pas être tenue responsable de l'éventuelle mauvaise utilisation ou interprétation qui en est faite par un quelconque utilisateur final.
- 4) Dans le but d'encourager l'uniformité internationale, les Comités nationaux de l'IEC s'engagent, dans toute la mesure possible, à appliquer de façon transparente les Publications de l'IEC dans leurs publications nationales et régionales. Toutes divergences entre toutes Publications de l'IEC et toutes publications nationales ou régionales correspondantes doivent être indiquées en termes clairs dans ces dernières.
- 5) L'IEC elle-même ne fournit aucune attestation de conformité. Des organismes de certification indépendants fournissent des services d'évaluation de conformité et, dans certains secteurs, accèdent aux marques de conformité de l'IEC. L'IEC n'est responsable d'aucun des services effectués par les organismes de certification indépendants.
- 6) Tous les utilisateurs doivent s'assurer qu'ils sont en possession de la dernière édition de cette publication.
- 7) Aucune responsabilité ne doit être imputée à l'IEC, à ses administrateurs, employés, auxiliaires ou mandataires, y compris ses experts particuliers et les membres de ses comités d'études et des Comités nationaux de l'IEC, pour tout préjudice causé en cas de dommages corporels et matériels, ou de tout autre dommage de quelque nature que ce soit, directe ou indirecte, ou pour supporter les coûts (y compris les frais de justice) et les dépenses découlant de la publication ou de l'utilisation de cette Publication de l'IEC ou de toute autre Publication de l'IEC, ou au crédit qui lui est accordé.
- 8) L'attention est attirée sur les références normatives citées dans cette publication. L'utilisation de publications référencées est obligatoire pour une application correcte de la présente publication.
- 9) L'attention est attirée sur le fait que certains des éléments de la présente Publication de l'IEC peuvent faire l'objet de droits de brevet. L'IEC ne saurait être tenue pour responsable de ne pas avoir identifié de tels droits de brevets et de ne pas avoir signalé leur existence.

La Norme internationale IEC 61010-031 a été établie par le comité d'études 66 de l'IEC: Sécurité des appareils de mesure, de commande et de laboratoire.

Elle a le statut d'une publication groupée de sécurité conformément au Guide 104 de l'IEC.

L'IEC 61010-031 est une norme autonome. Cette deuxième édition annule et remplace la première édition parue en 2002 et l'Amendement 1:2008. Cette édition constitue une révision technique.

Cette édition inclut les modifications techniques majeures suivantes par rapport à la première édition, ainsi que de nombreuses autres modifications:

- a) Les tensions au-dessus des niveaux de 30 V efficaces (eff), 42,4 V crête ou 60 V continu (c.c.) sont réputées être des tensions ACTIVES DANGEREUSES au lieu des tensions 33 V eff, 46,7 V crête, ou 70 V c.c.
- b) L'entretien est désormais inclus dans le domaine d'application.
- c) Des conditions d'environnement étendues sont incluses dans le domaine d'application.
- d) De nouveaux termes ont été définis.
- e) Des essais relatifs à un MAUVAIS USAGE RAISONNABLEMENT PREVISIBLE ont été ajoutés, en particulier pour les fusibles.
- f) Des exigences complémentaires relatives aux instructions concernant l'exploitation des sondes équipées ont été spécifiées.
- g) Des valeurs limites pour les parties ACCESSIBLES et pour la mesure de la tension et du courant de contact ont été modifiées.
- h) Les exigences relatives aux ESPACEMENTS pour l'emboîtement des CONNECTEURS ont été modifiées.
- i) Les exigences relatives aux POINTES DE TOUCHE et aux PINCES A RESSORT ont été modifiées. Le PROTEGE-DOIGTS remplace la BARRIERE avec de nouvelles exigences.
- j) Les exigences relatives à l'isolation (6.5) et les procédures d'essai (6.6.5) ont été réécrites et alignées avec la Partie 1 lorsque c'est pertinent. Des exigences spécifiques ont été ajoutées pour l'isolation solide et l'isolation en couches minces.
- k) La terminologie pour la CATEGORIE DE MESURE I a été remplacée par la dénomination "non ASSIGNEE pour les mesures en CATEGORIES DE MESURE II, III, ou IV".
- l) L'essai de traction/flexion (6.7.4.3) a été partiellement réécrit.
- m) Les limites de température de surface (Article 10) ont été modifiées pour se conformer aux limites du Guide 117 de l'IEC.
- n) Des exigences relatives à la résistance des FILS DE SONDE aux contraintes mécaniques ont été ajoutées à l'Article 12 et à une nouvelle Annexe D.
- o) Des exigences ajoutées se rapportent à la prévention du DANGER d'explosion due à un flash d'arc électrique et de courts-circuits pour les PINCES A RESSORT.
- p) Une nouvelle Annexe E informative définit les dimensions des CONNECTEURS banane de 4 mm.

Le texte de cette norme est issu des documents suivants:

FDIS	Rapport de vote
66/569/FDIS	66/571/RVD

Le rapport de vote indiqué dans le tableau ci-dessus donne toute information sur le vote ayant abouti à l'approbation de cette norme.

Cette publication a été rédigée selon les Directives ISO/IEC, Partie 2.

Une liste de toutes les parties de la série IEC 61010, publiées sous le titre général, *Règles de sécurité pour appareils électriques de mesurage, de régulation et de laboratoire*, peut être consultée sur le site web de l'IEC.

Dans la présente norme, les caractères d'imprimerie suivants sont utilisés:

- exigences et définitions: caractères romains;
- NOTES et EXEMPLES: petits caractères romains;
- *conformité et essais: caractères italiques;*
- termes définis à l'Article 3 et utilisés dans toute cette norme: CARACTERES ROMAINS EN PETITES CAPITALES.

Le comité a décidé que le contenu de cette publication ne sera pas modifié avant la date de stabilité indiquée sur le site web de l'IEC sous "<http://webstore.iec.ch>" dans les données relatives à la publication recherchée. A cette date, la publication sera

- reconduite,
- supprimée,
- remplacée par une édition révisée, ou
- amendée.

IMPORTANT – Le logo "colour inside" qui se trouve sur la page de couverture de cette publication indique qu'elle contient des couleurs qui sont considérées comme utiles à une bonne compréhension de son contenu. Les utilisateurs devraient, par conséquent, imprimer cette publication en utilisant une imprimante couleur.

RÈGLES DE SÉCURITÉ POUR APPAREILS ÉLECTRIQUES DE MESURAGE, DE RÉGULATION ET DE LABORATOIRE –

Partie 031: Exigences de sécurité pour sondes équipées tenues à la main pour mesurage et essais électriques

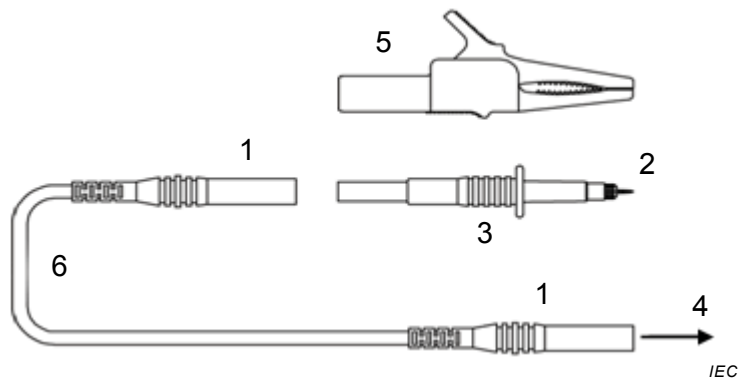
1 Domaine d'application et objet

1.1 Domaine d'application

1.1.1 Sondes équipées incluses dans le domaine d'application

La présente partie de l'IEC 61010 spécifie les exigences de sécurité relatives aux sondes portatives et manipulées à la main correspondant aux types décrits ci-dessous, ainsi que leurs accessoires connexes. Ces sondes équipées sont prévues pour la connexion électrique directe entre une partie et un appareil de mesure et d'essai électrique. Elles peuvent être solidaires de l'appareil ou en être des accessoires détachables.

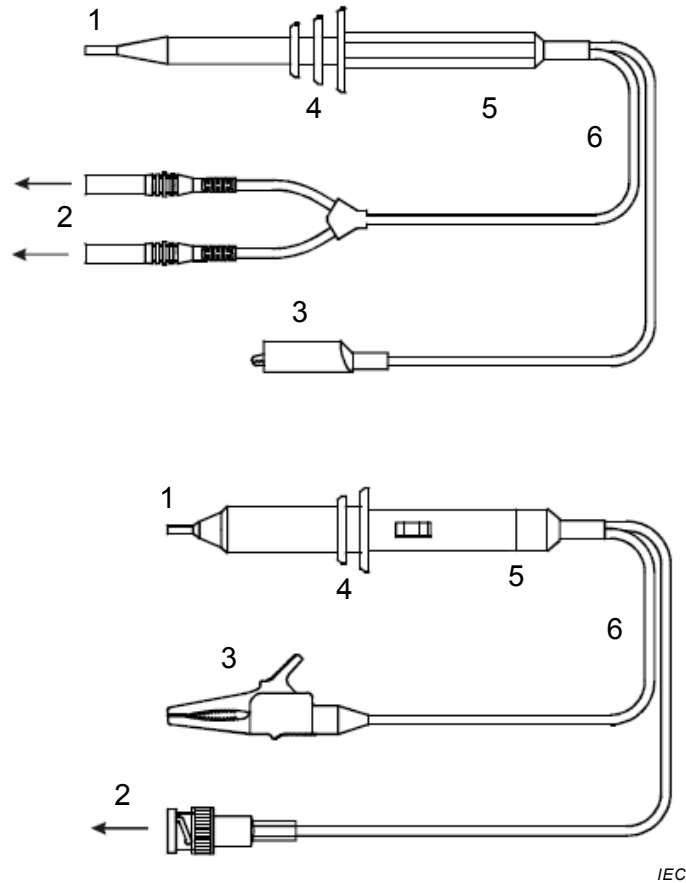
- a) Type A: sondes équipées, sans atténuation, à basse tension et à haute tension. Sondes équipées sans atténuation, ASSIGNEES pour connexion directe à des tensions supérieures à 30 V efficaces ou à 42,4 V crête ou à 60 V continus, mais ne dépassant pas 63 kV. Elles ne comportent pas de composants qui sont prévus pour assurer une fonction de diviseur de tension ou une fonction de mise en forme de signaux, mais elles peuvent contenir des composants ne provoquant pas d'atténuation tels que des fusibles (voir la Figure 1).
- b) Type B: sondes équipées à atténuateur ou diviseur à haute tension. Sondes équipées à atténuateur ou diviseur ASSIGNEES pour connexion directe sur des tensions secondaires supérieures à 1 kV efficaces ou 1,5 kV continus mais n'excédant pas 63 kV efficaces ou continus. La fonction de diviseur peut être réalisée dans sa totalité à l'intérieur de la sonde équipée, ou en partie dans l'appareil de mesure ou d'essai destiné à être utilisé avec la sonde équipée (voir la Figure 2).
- c) Type C: sondes équipées à atténuateur ou diviseur à basse tension. Sondes équipées à atténuateur ou diviseur pour connexion directe sur des tensions ne dépassant pas 1 kV efficaces ou 1,5 kV continus. La fonction de mise en forme de signaux peut être réalisée dans sa totalité à l'intérieur de la sonde équipée, ou en partie dans l'appareil de mesure ou d'essai destiné à être utilisé avec la sonde équipée (voir la Figure 3).
- d) Type D: sondes équipées à basse tension à atténuateurs, sans atténuation ou autres sondes de mise en forme de signaux qui ont des CARACTERISTIQUES ASSIGNEES pour connexion directe uniquement à des tensions n'excédant pas 30 V efficaces ou 42,4 V crête ou 60 V continus, et qui sont adaptées pour des courants dépassant 8 A (voir la Figure 4).



Légende

- | | | | |
|---|----------------------|---|-------------------|
| 1 | CONNECTEURS typiques | 4 | vers l'équipement |
| 2 | POINTE DE TOUCHE | 5 | PINCE A RESSORT |
| 3 | corps de sonde | 6 | FIL DE SONDE |

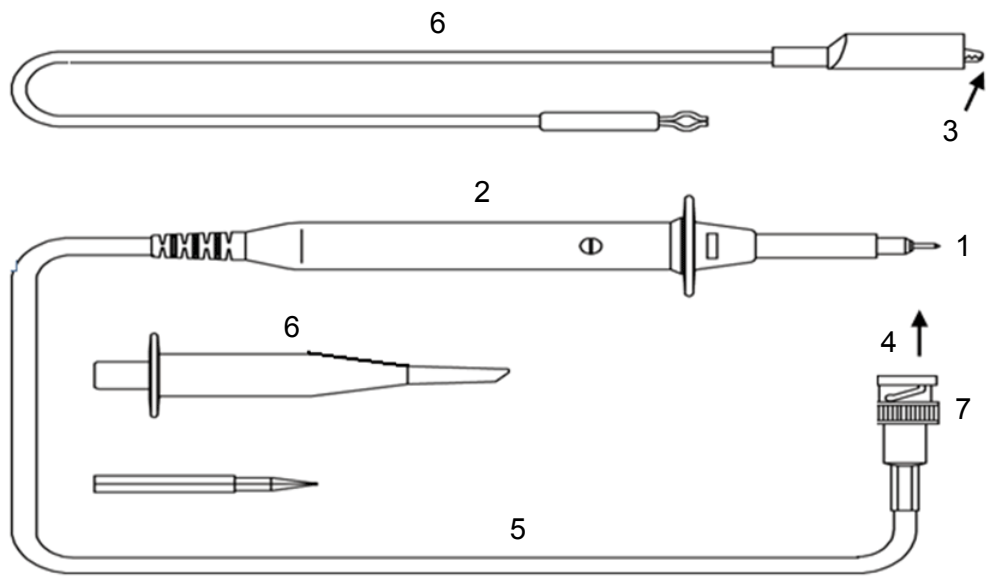
Figure 1 – Exemples de sondes équipées de Type A



Légende

- | | | | |
|---|-------------------------|---|---|
| 1 | POINTE DE TOUCHE | 4 | PROTÈGE-DOIGTS |
| 2 | vers l'équipement | 5 | partie du corps de la sonde tenue à la main |
| 3 | CONNECTEUR de référence | 6 | FIL DE SONDE |

Figure 2 – Exemples de sondes équipées de Type B

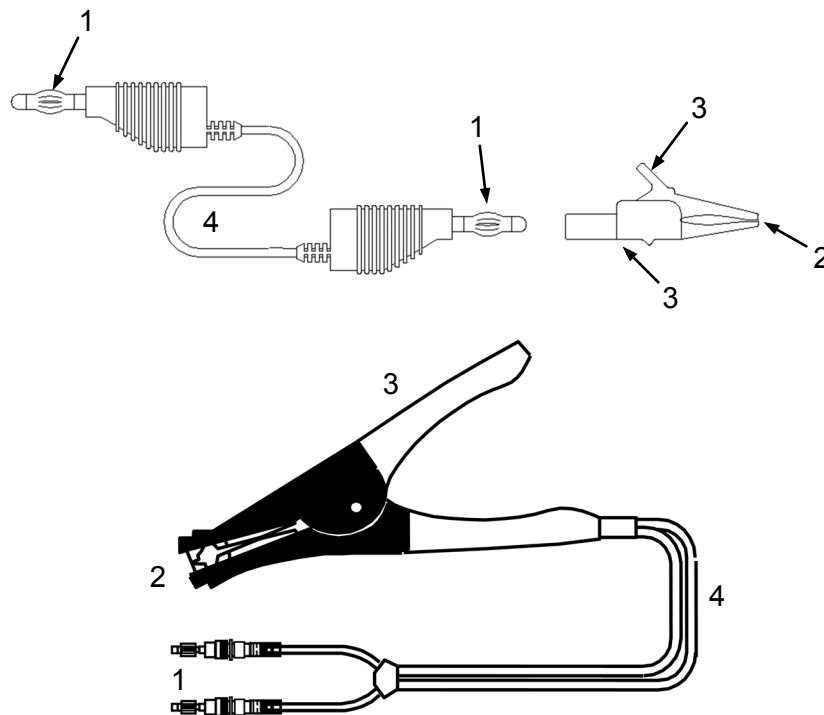


IEC

Légende

- | | | | |
|---|-------------------------|---|------------------------|
| 1 | POINTE DE TOUCHE | 5 | FIL DE SONDE |
| 2 | corps de sonde | 6 | exemples d'accessoires |
| 3 | CONNECTEUR de référence | 7 | CONNECTEUR BNC |
| 4 | vers l'équipement | | |

Figure 3 – Exemples de sondes équipées de Type C



IEC

Légende

- | | | | |
|---|------------------|---|--|
| 1 | CONNECTEUR | 3 | partie tenue à la main d'une PINCE A RESSORT |
| 2 | POINTE DE TOUCHE | 4 | FIL DE SONDE |

Figure 4 – Exemples de sondes équipées de Type D

1.1.2 Sondes équipées exclues du domaine d'application

La présente norme ne s'applique pas aux capteurs de courant relevant du domaine d'application de l'IEC 61010-2-032 (capteurs de courant portatifs et manipulés à la main), mais peut s'appliquer à leurs cordons d'entrée de circuit de mesure et à leurs accessoires.

1.2 Objet

1.2.1 Aspects inclus dans le domaine d'application

Les exigences de la présente norme ont pour but d'assurer que les DANGERS pour l'OPERATEUR et la zone alentour sont réduits à un niveau tolérable.

Les exigences relatives à la protection contre des types particuliers de DANGERS sont présentées dans les Articles 6 à 13, comme suit:

- a) les chocs électriques et les brûlures (voir les Articles 6, 10 et 11);
- b) les DANGERS mécaniques (voir les Articles 7, 8 et 11);
- c) les températures excessives (voir l'Article 9);
- d) la propagation du feu à partir de la sonde équipée (voir l'Article 9);
- e) flash d'arc électrique (voir l'Article 13).

Les exigences supplémentaires relatives aux sondes équipées qui sont conçues pour être alimentées à partir d'une alimentation réseau à basse tension, ou comportent d'autres caractéristiques qui ne sont pas spécifiquement traitées dans la présente norme, sont données dans d'autres parties de l'IEC 61010.

NOTE L'attention est attirée sur l'existence possible d'exigences supplémentaires relatives à la santé et à la sécurité des travailleurs.

1.2.2 Aspects exclus du domaine d'application

La présente norme ne couvre pas:

- a) la fiabilité de fonctionnement, les qualités de fonctionnement ou autres propriétés de la sonde équipée;
- b) l'efficacité de l'emballage de transport.

1.3 Vérification

La présente norme spécifie également les méthodes de vérification, par examen, par ESSAIS DE TYPE et par ESSAIS INDIVIDUELS DE SERIE, la conformité de la sonde équipée aux exigences de cette norme.

1.4 Conditions d'environnement

1.4.1 Conditions normales d'environnement

Cette norme est applicable aux sondes équipées conçues pour être sûres au moins dans les conditions suivantes:

- a) altitude inférieure ou égale à 2 000 m;
- b) température ambiante comprise entre 5 °C et 40 °C;
- c) humidité relative maximale de 80 % pour des températures jusqu'à 31 °C, avec décroissance linéaire jusqu'à 50 % d'humidité relative à 40 °C;
- d) DEGRE DE POLLUTION applicable de l'environnement prévu.

1.4.2 Conditions d'environnement étendues

Cette norme est applicable aux sondes équipées conçues pour être sûres non seulement dans les conditions d'environnement spécifiées en 1.4.1, mais aussi dans n'importe laquelle des conditions suivantes telles qu'ASSIGNEES par le fabricant des sondes équipées:

- a) usage en extérieur;
- b) altitudes au-dessus de 2 000 m;
- c) températures ambiantes inférieures à 5 °C ou supérieures à 40 °C;
- d) humidités relatives supérieures aux niveaux spécifiés en 1.4.1;
- e) EMBLEMES HUMIDES.

2 Références normatives

Les documents suivants sont cités en référence de manière normative, en intégralité ou en partie, dans le présent document et sont indispensables pour son application. Pour les références datées, seule l'édition citée s'applique. Pour les références non datées, la dernière édition du document de référence s'applique (y compris les éventuels amendements).

IEC 60027 (toutes les parties), *Symboles littéraux à utiliser en électrotechnique*

IEC 60529, *Degrés de protection procurés par les enveloppes (Code IP)*

IEC 61010-1:2010, *Règles de sécurité pour appareils électriques de mesurage, de régulation et de laboratoire – Partie 1: Exigences générales*

IEC 61180-1:1992, *Techniques des essais à haute tension pour matériels à basse tension – Partie 1: Définitions, prescriptions et modalités relatives aux essais*

IEC 61180-2, *Techniques des essais à haute tension pour matériel à basse tension – Partie 2: Matériel d'essai*

IEC GUIDE 104, *The preparation of safety publications and the use of basic safety publications and group safety publications* (disponible en anglais seulement)

ISO/IEC GUIDE 51, *Aspects liés à la sécurité – Principes directeurs pour les inclure dans les normes*