



INTERNATIONAL STANDARD

NORME INTERNATIONALE

**Connectors for electronic equipment – Product requirements –
Part 2-101: Circular connectors – Detail specification for M12 connectors
with screw-locking**

**Connecteurs pour équipements électroniques – Exigences de produit –
Partie 2-101: Connecteurs circulaires – Spécification particulière pour les
connecteurs M12 à vis**

INTERNATIONAL
ELECTROTECHNICAL
COMMISSION

COMMISSION
ELECTROTECHNIQUE
INTERNATIONALE

PRICE CODE XA
CODE PRIX

ICS 31.220.10

ISBN 978-2-8322-0058-2

**Warning! Make sure that you obtained this publication from an authorized distributor.
Attention! Veuillez vous assurer que vous avez obtenu cette publication via un distributeur agréé.**

CONTENTS

FOREWORD.....	5
1 Scope.....	8
2 Normative references	8
3 Technical information	9
3.1 Terms and definitions	9
3.2 Recommended method of termination	9
3.2.1 General	9
3.2.2 Number of contacts or contact cavities	10
3.3 Ratings and characteristics	10
3.4 Marking	10
3.5 Safety aspects.....	10
4 Dimensional information	11
4.1 General.....	11
4.2 Survey of styles and variants.....	11
4.2.1 Fixed connectors	11
4.2.2 Free connectors	22
4.3 Interface dimensions	27
4.3.1 Pin front view A-coding.....	27
4.3.2 Pin front view B-coding.....	32
4.3.3 Pin front view C-coding.....	33
4.3.4 Pin front view D-coding.....	36
4.3.5 Pin front view P-coding.....	37
4.4 Engagement (mating) information.....	38
4.5 Gauges	40
5 Characteristics	41
5.1 Climatic category.....	41
5.2 Electrical characteristics.....	41
5.2.1 Rated voltage – Rated impulse voltage – Pollution degree.....	41
5.2.2 Voltage proof.....	42
5.2.3 Current-carrying capacity.....	43
5.2.4 Contact resistance.....	43
5.2.5 Insulation resistance.....	44
5.3 Mechanical characteristics	44
5.3.1 IP degree of protection	44
5.3.2 Mechanical operation	44
5.3.3 Insertion and withdrawal forces	44
5.3.4 Contact retention in insert.....	44
5.3.5 Polarizing method.....	45
5.3.6 Vibration (sinusoidal).....	45
5.3.7 Pressure differential	45
6 Test schedule.....	45
6.1 General.....	45
6.2 Arrangement for contact resistance measurements	46
6.3 Arrangement for dynamic stress tests (vibration).....	46
6.4 Test schedule.....	48

6.4.1	Test group P – Preliminary	48
6.4.2	Test group AP – Dynamic/ Climatic.....	49
6.4.3	Test group BP – Mechanical endurance.....	52
6.4.4	Test group CP – Electrical load	54
6.4.5	Test group DP – Chemical resistivity	55
6.4.6	Test group EP – Connection method tests	55
6.4.7	Test group FP – Electrical transmission requirements	56
Annex A (informative)	Diameter of the female connector body	57
Annex B (informative)	Steel conduit thread, sizes	58
Figure 1	– Tube insert, male contacts, mounting without thread (thread on tube)	12
Figure 2	– Tube insert, male contacts, mounting with thread M12 × 1	12
Figure 3	– Fixed connector, male contacts, mounting with thread M12 × 1, square flange front mounting	13
Figure 4	– Fixed connector, male contacts, mounting with thread M12 × 1, with wire ends, single hole mounting thread M16 × 1,5	14
Figure 5	– Fixed connector, male contacts, mounting with thread M12 × 1, with wire ends, single hole mounting thread M20 × 1,5	14
Figure 6	– Fixed connector, male contacts, mounting with thread M12 × 1 with wire ends, single hole mounting thread M16 × 1,5, mounting orientation.....	15
Figure 7	– Fixed connector, male contacts, mounting with thread M12 × 1, with wire ends, single hole mounting thread M20 × 1,5, mounting orientation.....	15
Figure 8	– Fixed connector, glass to metal seal, square flange front mounting, male contacts	16
Figure 9	– Fixed connector, glass to metal seal, single hole front mounting, male contacts	17
Figure 10	– Fixed connector, glass to metal seal, jam nut rear mounting, male contacts	18
Figure 11	– Fixed connector, glass to metal seal, through flange mounting, male contacts	19
Figure 12	– Fixed connector, female contacts, mounting with thread M12 × 1, with wire ends, single hole mounting thread M16 × 1,5	19
Figure 13	– Fixed connector, female contacts, mounting with thread M12 × 1, with wire ends, single hole mounting thread M20 × 1,5	20
Figure 14	– Fixed connector, female contacts, mounting with thread M12 × 1, with wire ends, single hole mounting thread M16 × 1,5, mounting orientation.....	21
Figure 15	– Fixed connector, female contacts, mounting with thread M12 × 1, with wire ends, single hole mounting thread M20 × 1,5, mounting orientation.....	21
Figure 16	– Rewireable connector, male contacts, straight version, with locking nut	22
Figure 17	– Rewireable connector, male contacts, right angled version, with locking nut.....	23
Figure 18	– Non-rewireable connector, male contacts, straight version, with locking nut	23
Figure 19	– Non-rewireable connector, male contacts, right angled version, with locking nut	24
Figure 20	– Non-rewireable connector, male contacts, right angled higher version, with locking nut.....	24
Figure 21	– Rewireable connector, female contacts, straight version, with locking nut	25
Figure 22	– Rewireable connector, female contacts, right angled version, with locking nut....	25
Figure 23	– Non-rewireable connector, female contacts, straight version, with locking nut	26

Figure 24 – Non-rewireable connector, female contacts, right angled version, with locking nut	26
Figure 25 – Pin front view A-coding, up to 12 ways	27
Figure 26 – Pin front view A-coding, 13 up to 17 ways	28
Figure 27 – Contact position A-coding front view	30
Figure 28 – Pin front view B-coding	32
Figure 29 – Contact position B-coding front view	32
Figure 30 – Pin front view 3 way with C-coding	33
Figure 31 – Pin front view 4 way with C-coding	33
Figure 32 – Pin front view 5 way with C-coding	34
Figure 33 – Pin front view 6 way with C-coding	34
Figure 34 – Contact position C-coding front view	35
Figure 35 – Pin front view D-coding	36
Figure 36 – Contact position D-coding front view	36
Figure 37 – Pin front view P-coding	37
Figure 38 – Contact position P-coding front view	37
Figure 39 – Engagement (mating) information.....	38
Figure 40 – Gauge dimensions	41
Figure 41 – Contact resistance arrangement.....	46
Figure 42 – Dynamic stress test arrangement	47
Figure A.1 – Diameter of the female connector body.....	57
Figure B.1 – Dimensions Pg thread.....	58
Table 1 – Ratings of connectors.....	10
Table 2 – Styles of fixed connectors	11
Table 3 – Styles of free connectors.....	22
Table 4 – Connectors dimensions in mated and locked position	39
Table 5 – Gauges	41
Table 6 – Climatic category	41
Table 7 – Rated voltage – Rated impulse voltage – Pollution degree	42
Table 8 – Voltage proof.....	43
Table 9 – Number of mechanical operations	44
Table 10 – Insertion and withdrawal forces	44
Table 11 – Number of test specimens	46
Table 12 – Test group P	48
Table 13 – Test group AP	49
Table 14 – Test group BP	52
Table 15 – Test group CP	54
Table 16 – Test group DP	55
Table 17 – Test group EP	55
Table 18 – Test group FP	56
Table A.1 – Diameter of the female connector body, dimension x	57
Table B.1 – Dimensions	59

INTERNATIONAL ELECTROTECHNICAL COMMISSION

CONNECTORS FOR ELECTRONIC EQUIPMENT – PRODUCT REQUIREMENTS –

Part 2-101: Circular connectors – Detail specification for M12 connectors with screw-locking

FOREWORD

- 1) The International Electrotechnical Commission (IEC) is a worldwide organization for standardization comprising all national electrotechnical committees (IEC National Committees). The object of IEC is to promote international co-operation on all questions concerning standardization in the electrical and electronic fields. To this end and in addition to other activities, IEC publishes International Standards, Technical Specifications, Technical Reports, Publicly Available Specifications (PAS) and Guides (hereafter referred to as “IEC Publication(s)”). Their preparation is entrusted to technical committees; any IEC National Committee interested in the subject dealt with may participate in this preparatory work. International, governmental and non-governmental organizations liaising with the IEC also participate in this preparation. IEC collaborates closely with the International Organization for Standardization (ISO) in accordance with conditions determined by agreement between the two organizations.
- 2) The formal decisions or agreements of IEC on technical matters express, as nearly as possible, an international consensus of opinion on the relevant subjects since each technical committee has representation from all interested IEC National Committees.
- 3) IEC Publications have the form of recommendations for international use and are accepted by IEC National Committees in that sense. While all reasonable efforts are made to ensure that the technical content of IEC Publications is accurate, IEC cannot be held responsible for the way in which they are used or for any misinterpretation by any end user.
- 4) In order to promote international uniformity, IEC National Committees undertake to apply IEC Publications transparently to the maximum extent possible in their national and regional publications. Any divergence between any IEC Publication and the corresponding national or regional publication shall be clearly indicated in the latter.
- 5) IEC itself does not provide any attestation of conformity. Independent certification bodies provide conformity assessment services and, in some areas, access to IEC marks of conformity. IEC is not responsible for any services carried out by independent certification bodies.
- 6) All users should ensure that they have the latest edition of this publication.
- 7) No liability shall attach to IEC or its directors, employees, servants or agents including individual experts and members of its technical committees and IEC National Committees for any personal injury, property damage or other damage of any nature whatsoever, whether direct or indirect, or for costs (including legal fees) and expenses arising out of the publication, use of, or reliance upon, this IEC Publication or any other IEC Publications.
- 8) Attention is drawn to the Normative references cited in this publication. Use of the referenced publications is indispensable for the correct application of this publication.
- 9) Attention is drawn to the possibility that some of the elements of this IEC Publication may be the subject of patent rights. IEC shall not be held responsible for identifying any or all such patent rights.

International Standard IEC 61076-2-101 has been prepared by sub-committee 48B: Connectors, of Technical Committee 48: Electromechanical components and mechanical structures for electronic equipment.

This third edition cancels and replaces the second edition published in 2008 and its corrigendum published in 2010. It constitutes a technical revision.

This edition includes the following significant technical changes with respect to the previous edition:

- The drawings of some styles have been corrected.
- A new style with maximum 17 poles, with A-coding, has been added, as new applications for the industrial process measurement and control require a high number of poles in M12 circular connectors. The existing styles and dimensions which were

specified in IEC 61076-2-101 Ed. 2 are further applicable for the added interface dimension of the 17 poles versions.

- Removal of the type designation and ordering information, former Tables 6 and 7 have been updated accordingly.
- Inclusion of the technical content of IEC PAS 61076-2-108, which will be withdrawn after publication of this International Standard. The drawings have been updated and correction to the title of Figure 9 was made.

The text of this standard is based on the following documents:

FDIS	Report on voting
48B/2279/FDIS	48B/2288/RVD

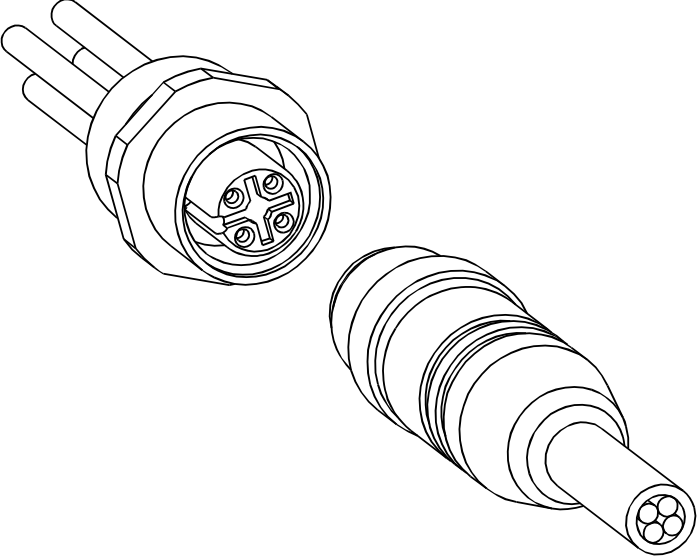
Full information on the voting for the approval of this standard can be found in the report on voting indicated in the above table.

A list of all parts of IEC 61076 series, under the general title *Connectors for electronic equipment – Product requirements*, can be found on the IEC website.

This publication has been drafted in accordance with the ISO/IEC Directives, Part 2.

The committee has decided that the contents of this publication will remain unchanged until the stability date indicated on the IEC web site under "http://webstore.iec.ch" in the data related to the specific publication. At this date, the publication will be

- reconfirmed,
- withdrawn,
- replaced by a revised edition, or
- amended.

<p>IEC SC 48B – Connectors</p> <p>Specification available from: IEC General secretariat or from the addresses shown on the inside cover.</p>	<p>IEC 61076-2-101 Ed. 3.0</p>
<p>ELECTRONIC COMPONENTS</p> <p>DETAIL SPECIFICATION in accordance with IEC 61076-1</p>	
 <p style="text-align: right; font-size: small;">IEC 2336/03</p>	<p>Circular connectors M12 2 to 17 way Male and female contacts Male and female connectors Rewireable – Non-rewireable</p>
	<p>Free cable connectors Straight and right angle connectors Fixed connectors Fixed connectors with glass to metal seals (pin contacts only)</p> <p>Flange mounting Single hole mounting</p> <p>Pin sockets</p>

CONNECTORS FOR ELECTRONIC EQUIPMENT – PRODUCT REQUIREMENTS –

Part 2-101: Circular connectors – Detail specification for M12 connectors with screw-locking

1 Scope

This part of IEC 61076 describes M12 circular connectors typically used for industrial process measurement and control. These connectors consist of fixed and free connectors either rewirable or non-rewirable, with screw-locking. The connectors with glass to metal seal are fixed connectors only which consist of fixed glass to metal sealed styles with rewirable male contacts and are intermateable with corresponding free connectors according to this International Standard. Male connectors have round contacts \varnothing 0,6 mm, \varnothing 0,76 mm, \varnothing 0,8 mm and \varnothing 1,0 mm.

The different codings prevent the mating of these coded male or female connectors to any other interfaces and cross-mating between the different codings.

NOTE M12 is the dimension of the thread of the screw-locking mechanism of these circular connectors.

2 Normative references

The following documents, in whole or in part, are normatively referenced in this document and are indispensable for its application. For dated references, only the edition cited applies. For undated references, the latest edition of the referenced document (including any amendments) applies.

IEC 60050-581: 2008, *International Electrotechnical Vocabulary (IEV) – Part 581: Electromechanical components for electronic equipment*

IEC 60068-1, *Environmental testing – Part 1: General and guidance*

IEC 60068-2-60, *Environmental testing – Part 2: Tests – Test Ke: Flowing mixed gas corrosion test*

IEC 60352 (all parts), *Solderless connections*

IEC 60423:2007, *Conduit systems for cable management – Outside diameters of conduits for electrical installations and threads for conduits and fittings*

IEC 60512 (all parts), *Connectors for electronic equipment – Tests and measurements*

IEC 60512-1-100, *Connectors for electronic equipment – Tests and measurements – Part 1-100: General – Applicable publications*

IEC 60529:1989, *Degrees of protection provided by enclosures (IP code)*

IEC 60664-1, *Insulation coordination for equipment within low-voltage systems – Part 1: Principles, requirements and tests*

IEC 60998-2-1, *Connecting devices for low-voltage circuits for household and similar purposes – Part 2-1: Particular requirements for connecting devices as separate entities with screw-type clamping units*

IEC 60999 (all parts), *Connecting devices – Electrical copper conductors – Safety requirements for screw-type and screwless-type clamping units*

IEC 61076-1:2006, *Connectors for electronic equipment – Product requirements – Part 1: Generic specification*

IEC 61984, *Connectors – Safety requirements and tests*

ISO 1302: *Technical drawings – Methods of indicating surface texture*

SOMMAIRE

AVANT-PROPOS	64
1 Domaine d'application	67
2 Références normatives	67
3 Données techniques	68
3.1 Termes et définitions	68
3.2 Méthode recommandée pour les sorties	68
3.2.1 Généralités	68
3.2.2 Nombre de contacts ou d'alvéoles de contact	69
3.3 Valeurs assignées et caractéristiques	69
3.4 Marquage	69
3.5 Aspects de la sécurité	70
4 Informations relatives aux dimensions	70
4.1 Généralités	70
4.2 Description des modèles et des variantes	70
4.2.1 Embases	71
4.2.2 Fiches	80
4.3 Dimensions d'interface	86
4.3.1 Vue de face du contact mâle codage A	86
4.3.2 Vue de face du contact mâle codage B	91
4.3.3 Vue de face du contact mâle codage C	92
4.3.4 Vue de face du contact mâle codage D	95
4.3.5 Vue de face du contact mâle, codage P	96
4.4 Informations concernant l'accouplement	97
4.5 Calibres	99
5 Caractéristiques	100
5.1 Catégorie climatique	100
5.2 Caractéristiques électriques	100
5.2.1 Tension assignée – Tension de choc assignée – Degré de pollution	100
5.2.2 Tenue en tension	101
5.2.3 Courant admissible	102
5.2.4 Résistance de contact	103
5.2.5 Résistance d'isolement	103
5.3 Caractéristiques mécaniques	103
5.3.1 Degré de protection IP	103
5.3.2 Fonctionnement mécanique	103
5.3.3 Forces d'insertion et d'extraction	103
5.3.4 Rétention du contact dans l'isolant	104
5.3.5 Méthode de détrompage	104
5.3.6 Vibrations (sinusoïdales)	104
5.3.7 Différentiel de pression	104
6 Programmes d'essai	104
6.1 Généralités	104
6.2 Montage pour les mesures de la résistance de contact	105
6.3 Montage pour les essais de contrainte dynamique (vibrations)	105
6.4 Programmes d'essai	107

6.4.1	Groupe d'essais P – Essais préliminaires	107
6.4.2	Groupe d'essais AP – Essais dynamiques/climatiques.....	108
6.4.3	Groupe d'essais BP – Endurance mécanique	111
6.4.4	Groupe d'essais CP – Charge électrique	113
6.4.5	Groupe d'essais DP – Résistance chimique.....	114
6.4.6	Groupe d'essais EP – Essais de méthode de connexion	114
6.4.7	Groupe d'essais FP – Exigences de transmission électrique.....	115
Annexe A (informative) Diamètre du corps de connecteur femelle.....		116
Annexe B (informative) Filet des conduits en acier, tailles.....		117
Figure 1	– Montage dans trou rond, contacts mâles, montage sans filet (filet sur le tube).....	71
Figure 2	– Montage dans un trou rond, contacts mâles, montage avec filet M12 × 1	72
Figure 3	– Embase, contacts mâles, montage avec filet M12 × 1, montage avant avec bride carrée	73
Figure 4	– Embase, contacts mâles, montage avec filet M12 × 1, avec extrémités de fils, montage par écrou, filet M16 × 1,5	74
Figure 5	– Embase, contacts mâles, montage avec filet M12 × 1, avec extrémités de fils, montage par écrou, filet M20 × 1,5	74
Figure 6	– Embase, contacts mâles, montage avec filet M12 × 1, avec extrémités de fils, montage par écrou, filet M16 × 1,5, orientation de montage	75
Figure 7	– Embase, contacts mâles, montage avec filet M12 × 1, avec extrémités de fils, montage par écrou, filet M20 × 1,5, orientation de montage	75
Figure 8	– Embase, joint verre-métal, montage avant avec bride, contacts mâles	76
Figure 9	– Embase, joint verre-métal, montage avant sur trou unique, contacts mâles.....	77
Figure 10	– Embase, joint verre-métal, montage arrière avec écrou, contacts mâles.....	77
Figure 11	– Embase, joint verre-métal, montage à travers bride, contacts mâles	78
Figure 12	– Embase, contacts femelles, montage avec filet M12 × 1, avec extrémités de fils, montage par écrou filet M16 × 1,5	78
Figure 13	– Embase, contacts femelles, montage avec filet M12 × 1, avec extrémités de fils, montage par écrou filet M20 × 1,5	79
Figure 14	– Embase, contacts femelles, montage avec filet M12 × 1, avec extrémités de fils, montage par écrou, filet M16 × 1,5, orientation de montage.....	79
Figure 15	– Embase, contacts femelles, montage avec filet M12 × 1, avec extrémités de fils, montage par écrou, filet M20 × 1,5, orientation de montage.....	80
Figure 16	– Fiche démontable, contacts mâles, version à sortie droite, avec écrou de verrouillage.....	81
Figure 17	– Fiche démontable, contacts mâles, version à sortie coudée, avec écrou de verrouillage.....	81
Figure 18	– Fiche non-démontable, contacts mâles, version à sortie droite, avec écrou de verrouillage.....	82
Figure 19	– Fiche non démontable, contacts mâles, version à sortie coudée, avec écrou de verrouillage	82
Figure 20	– Fiche non démontable, contacts mâles, version supérieure à sortie coudée, avec écrou de verrouillage.....	83
Figure 21	– Fiche démontable, contacts femelles, version à sortie droite, avec écrou de verrouillage.....	83

Figure 22 – Connecteur démontable, contacts femelles, version à sortie coudée, avec écrou de verrouillage	84
Figure 23 – Fiche non démontable, contacts femelles, version à sortie droite, avec écrou de verrouillage	84
Figure 24 – Fiche non démontable, contacts femelles, version à sortie coudée, avec écrou de verrouillage	85
Figure 25 – Vue de face de la broche, codage A, jusqu'à 12 pôles.....	86
Figure 26 – Vue de face de la broche, codage A, 13 à 17 pôles	87
Figure 27 – Vue de face, codage A position des contacts	89
Figure 28 – Vue de face du contact mâle en codage B.....	91
Figure 29 – Vue de face, codage B position des contacts	91
Figure 30 – Vue de face du contact mâle, 3 pôles, codage C	92
Figure 31 – Vue de face du contact mâle, 4 pôles, codage C	92
Figure 32 – Vue de face du contact mâle, 5 pôles, codage C	93
Figure 33 – Vue de face du contact mâle, 6 pôles, codage C	93
Figure 34 – Vue de face, codage C position des contacts	94
Figure 35 – Vue de face du contact mâle, codage D	95
Figure 36 – Vue de face, codage D position des contacts	95
Figure 37 – Vue de face du contact mâle, codage P	96
Figure 38 – Vue de face, codage P position des contacts	96
Figure 39 – Informations concernant l'accouplement.....	97
Figure 40 – Dimensions des calibres	100
Figure 41 – Montage pour l'essai de la résistance de contact	105
Figure 42 – Montage pour l'essai de contrainte dynamique	106
Figure A.1 – Diamètre du corps de connecteur femelle	116
Figure B.1 – Dimensions du filet Pg	117
Tableau 1 – Valeurs assignées des connecteurs.....	69
Tableau 2 – Modèles d'embases.....	71
Tableau 3 – Modèles de fiches	80
Tableau 4 – Dimensions des connecteurs en position accouplée et verrouillée	98
Tableau 5 – Calibres.....	100
Tableau 6 – Catégorie climatique.....	100
Tableau 7 – Tension assignée – Tension de choc assignée – Degré de pollution.....	101
Tableau 8 – Tenue en tension.....	102
Tableau 9 – Nombre de manœuvres mécaniques.....	103
Tableau 10 – Forces d'insertion et d'extraction	103
Tableau 11 – Nombre de spécimens	105
Tableau 12 – Groupe d'essais P	107
Tableau 13 – Groupe d'essais AP	108
Tableau 14 – Groupe d'essais BP.....	111
Tableau 15 – Groupe d'essais CP.....	113
Tableau 16 – Groupe d'essais DP.....	114
Tableau 17 – Groupe d'essais EP	114

Tableau 18 – Groupe d’essais FP	115
Tableau A.1 – Diamètre du corps de connecteur femelle, dimension x	116
Tableau B.1 – Dimensions	118

COMMISSION ÉLECTROTECHNIQUE INTERNATIONALE

CONNECTEURS POUR ÉQUIPEMENTS ÉLECTRONIQUES – EXIGENCES DE PRODUIT –

Partie 2-101: Connecteurs circulaires – Spécification particulière pour les connecteurs M12 à vis

AVANT-PROPOS

- 1) La Commission Electrotechnique Internationale (CEI) est une organisation mondiale de normalisation composée de l'ensemble des comités électrotechniques nationaux (Comités nationaux de la CEI). La CEI a pour objet de favoriser la coopération internationale pour toutes les questions de normalisation dans les domaines de l'électricité et de l'électronique. A cet effet, la CEI – entre autres activités – publie des Normes internationales, des Spécifications techniques, des Rapports techniques, des Spécifications accessibles au public (PAS) et des Guides (ci-après dénommés "Publication(s) de la CEI"). Leur élaboration est confiée à des comités d'études, aux travaux desquels tout Comité national intéressé par le sujet traité peut participer. Les organisations internationales, gouvernementales et non gouvernementales, en liaison avec la CEI, participent également aux travaux. La CEI collabore étroitement avec l'Organisation Internationale de Normalisation (ISO), selon des conditions fixées par accord entre les deux organisations.
- 2) Les décisions ou accords officiels de la CEI concernant les questions techniques représentent, dans la mesure du possible, un accord international sur les sujets étudiés, étant donné que les Comités nationaux de la CEI intéressés sont représentés dans chaque comité d'études.
- 3) Les Publications de la CEI se présentent sous la forme de recommandations internationales et sont agréées comme telles par les Comités nationaux de la CEI. Tous les efforts raisonnables sont entrepris afin que la CEI s'assure de l'exactitude du contenu technique de ses publications; la CEI ne peut pas être tenue responsable de l'éventuelle mauvaise utilisation ou interprétation qui en est faite par un quelconque utilisateur final.
- 4) Dans le but d'encourager l'uniformité internationale, les Comités nationaux de la CEI s'engagent, dans toute la mesure possible, à appliquer de façon transparente les Publications de la CEI dans leurs publications nationales et régionales. Toutes divergences entre toutes Publications de la CEI et toutes publications nationales ou régionales correspondantes doivent être indiquées en termes clairs dans ces dernières.
- 5) La CEI elle-même ne fournit aucune attestation de conformité. Des organismes de certification indépendants fournissent des services d'évaluation de conformité et, dans certains secteurs, accèdent aux marques de conformité de la CEI. La CEI n'est responsable d'aucun des services effectués par les organismes de certification indépendants.
- 6) Tous les utilisateurs doivent s'assurer qu'ils sont en possession de la dernière édition de cette publication.
- 7) Aucune responsabilité ne doit être imputée à la CEI, à ses administrateurs, employés, auxiliaires ou mandataires, y compris ses experts particuliers et les membres de ses comités d'études et des Comités nationaux de la CEI, pour tout préjudice causé en cas de dommages corporels et matériels, ou de tout autre dommage de quelque nature que ce soit, directe ou indirecte, ou pour supporter les coûts (y compris les frais de justice) et les dépenses découlant de la publication ou de l'utilisation de cette Publication de la CEI ou de toute autre Publication de la CEI, ou au crédit qui lui est accordé.
- 8) L'attention est attirée sur les références normatives citées dans cette publication. L'utilisation de publications référencées est obligatoire pour une application correcte de la présente publication.
- 9) L'attention est attirée sur le fait que certains des éléments de la présente Publication de la CEI peuvent faire l'objet de droits de brevet. La CEI ne saurait être tenue pour responsable de ne pas avoir identifié de tels droits de brevets et de ne pas avoir signalé leur existence.

La Norme internationale CEI 61076-2-101 a été établie par le sous-comité 48B: Connecteurs, du comité d'études 48: Composants électromécaniques et structures mécaniques pour équipements électroniques.

Cette troisième édition annule et remplace la deuxième édition parue en 2008 et son corrigendum paru en 2010. Elle constitue une révision technique.

Cette édition inclut les modifications techniques majeures suivantes par rapport à l'édition précédente:

- Les dessins de certains modèles ont été corrigés.
- Un nouveau modèle avec 17 pôles au maximum et un codage A, a été ajouté, car les nouvelles applications pour les dispositifs de mesure et de commande dans les

processus industriels exigent un nombre élevé de pôles dans les connecteurs circulaires M12. Les modèles et les dimensions qui existent et qui étaient spécifiés dans la CEI 61076-2-101 Ed.2 sont toujours applicables pour la dimension d'interface ajoutée des versions à 17 pôles.

- Suppression de la désignation de type et des renseignements pour les commandes, les anciens Tableaux 6 et 7 ont été mis à jour en conséquence.
- Ajout du contenu technique de la CEI/PAS 61076-2-108, qui sera annulée après publication de la présente Norme Internationale. Les dessins ont été mis à jour et le titre de la Figure 9 a été corrigé.

Le texte de cette norme est issu des documents suivants:

FDIS	Rapport de vote
48B/2279/FDIS	48B/2288/RVD

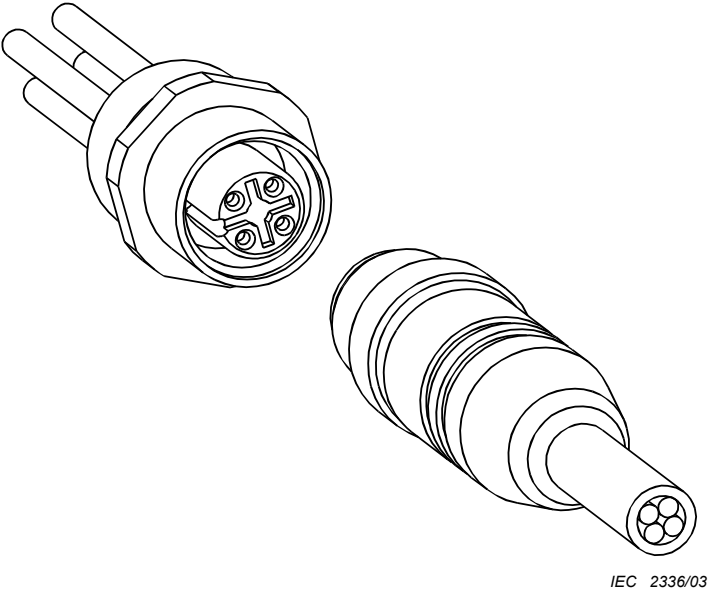
Le rapport de vote indiqué dans le tableau ci-dessus donne toute information sur le vote ayant abouti à l'approbation de cette norme.

Une liste de toutes les parties de la série CEI 61076, présentées sous le titre général *Connecteurs pour équipements électroniques – Exigences de produit*, peut être consultée sur le site web de la CEI.

Cette publication a été rédigée selon les Directives ISO/CEI, Partie 2.

Le comité a décidé que le contenu de cette publication ne sera pas modifié avant la date de stabilité indiquée sur le site web de la CEI sous "<http://webstore.iec.ch>" dans les données relatives à la publication recherchée. A cette date, la publication sera

- reconduite,
- supprimée,
- remplacée par une édition révisée, ou
- amendée.

<p>CEI SC 48B – Connecteurs Cette spécification peut être obtenue auprès: du Secrétariat général de la CEI ou de l'une des adresses données à l'intérieur de la page de couverture.</p>	<p>CEI 61076-2-101 Ed. 3.0</p>
<p>COMPOSANTS ELECTRONIQUES SPECIFICATION PARTICULIERE selon la CEI 61076-1</p>	
 <p>IEC 2336/03</p>	<p>Connecteurs circulaires M12 2 à 17 pôles Contacts mâle et femelle Connecteurs mâle et femelle Démontables – Non démontables</p>
	<p>Fiches pour câbles Connecteurs à sortie droite et à sortie coudée Embases Embases avec joints verre-métal (contacts de broches uniquement)</p> <p>Montage par bride Montage par écrou</p> <p>Embases à contacts mâles</p>

CONNECTEURS POUR ÉQUIPEMENTS ÉLECTRONIQUES – EXIGENCES DE PRODUIT –

Partie 2-101: Connecteurs circulaires – Spécification particulière pour les connecteurs M12 à vis

1 Domaine d'application

La présente partie de la CEI 61076 décrit les connecteurs circulaires M12 qui sont généralement utilisés pour les mesures et les commandes dans les processus industriels. Ces connecteurs se composent d'embases et de fiches, démontables ou non et sont équipés d'un système à vis. Les connecteurs à joints verre-métal sont uniquement des embases constituées de modèles à joints verre-métal avec contacts mâles démontables et qui sont accouplables aux fiches correspondantes conformes à la présente Norme Internationale. Les connecteurs mâles possèdent des contacts arrondis de \varnothing 0,6 mm, \varnothing 0,76 mm, \varnothing 0,8 mm et \varnothing 1,0 mm.

Les différents codages empêchent l'accouplement de ces connecteurs codés mâles ou femelles avec toute autre interface ainsi que l'accouplement croisé entre les différents codages.

NOTE M12 est la dimension du filet du mécanisme à vis de ces connecteurs circulaires.

2 Références normatives

Les documents suivants sont cités en référence de manière normative, en intégralité ou en partie, dans le présent document et sont indispensables pour son application. Pour les références datées, seule l'édition citée s'applique. Pour les références non datées, la dernière édition du document de référence s'applique (y compris les éventuels amendements).

CEI 60050-581: 2008, *Vocabulaire Electrotechnique International (VEI) – Partie 581: Composants électromécaniques pour équipements électroniques*

CEI 60068-1, *Essais d'environnement – Partie 1: Généralités et guide*

CEI 60068-2-60, *Essais d'environnement – Partie 2: Essais – Essai Ke: Essais de corrosion dans un flux de mélange de gaz*

CEI 60352 (toutes les parties), *Connexions sans soudure*

CEI 60423:2007, *Systèmes de conduits pour la gestion du câblage – Diamètres extérieurs des conduits pour installations électriques et filetages pour conduits et accessoires*

CEI 60512 (toutes les parties), *Connecteurs pour équipements électroniques – Essais et mesures*

CEI 60512-1-100 *Connecteurs pour équipements électroniques – Essais et mesures – Partie 1-100: Généralités – Publications applicables*

CEI 60529:1989, *Degrés de protection procurés par les enveloppes (Code IP)*

CEI 60664-1, *Coordination de l'isolement des matériels dans les systèmes (réseaux) à basse tension – Partie 1: Principes, exigences et essais*

CEI 60998-2-1, *Dispositifs de connexion pour circuits basse tension pour usage domestique et analogue – Partie 2-1: Règles particulières pour dispositifs de connexion en tant que parties séparées avec organes de serrage à vis*

CEI 60999 (toutes les parties), *Dispositifs de connexion – Conducteurs électriques en cuivre – Prescriptions de sécurité pour organes de serrage à vis et sans vis*

CEI 61076-1:2006, *Connecteurs pour équipements électroniques – Exigences de produit – Partie 1: Spécification générique*

CEI 61984, *Connecteurs – Exigences de sécurité et essais*

ISO 1302: *Dessins techniques – Indication des états de surface*