



INTERNATIONAL STANDARD

NORME INTERNATIONALE

**Connectors for electronic equipment – Product requirements –
Part 4-116: Printed board connectors – Detail specification for a high-speed
two-part connector with integrated shielding function**

**Connecteurs pour équipements électroniques – Exigences de produit –
Partie 4-116: Connecteurs pour cartes imprimées – Spécification particulière
pour un connecteur haute vitesse en deux parties avec une fonction de
protection intégrée**

INTERNATIONAL
ELECTROTECHNICAL
COMMISSION

COMMISSION
ELECTROTECHNIQUE
INTERNATIONALE

PRICE CODE
CODE PRIX



ICS 31.220.10

ISBN 978-2-8322-0059-9

**Warning! Make sure that you obtained this publication from an authorized distributor.
Attention! Veuillez vous assurer que vous avez obtenu cette publication via un distributeur agréé.**

CONTENTS

FOREWORD.....	5
INTRODUCTION.....	8
1 Scope.....	10
2 Normative references	10
3 Terms and definitions	10
4 General data	11
4.1 Recommended method of mounting.....	11
4.2 Number of contacts and contact cavities	11
4.3 Ratings and characteristics	12
5 Technical data.....	12
5.1 Survey of styles and variants.....	12
5.2 Information on application	12
5.2.1 Complete connectors (pairs).....	12
5.2.2 Fixed board connectors	12
5.2.3 Free board connectors.....	12
5.2.4 Accessories.....	12
5.2.5 Shielding and grounding	12
5.2.6 Basic type of termination	12
5.3 Contact arrangement.....	13
6 Dimensional information	13
6.1 General.....	13
6.2 Isometric view and common features.....	14
6.2.1 Common features	14
6.2.2 Reference system.....	14
6.3 Mating information.....	14
6.3.1 Mating conditions	14
6.3.2 Planarity.....	15
6.4 Fixed board connector.....	16
6.4.1 Dimensions	16
6.4.2 Terminations	17
6.5 Free board connector	18
6.5.1 Dimensions	18
6.5.2 Terminations	20
6.6 Accessories.....	21
6.7 Mounting information for fixed board connectors	21
6.8 Mounting information for connectors.....	22
6.9 Gauges	22
6.9.1 Sizing gauges and retention force gauges	22
6.9.2 Test gauge for first contact point	22
7 Characteristics	22
7.1 Climatical category.....	22
7.2 Electrical characteristics.....	23
7.2.1 Creepage and clearance distances	23
7.2.2 Voltage proof.....	23
7.2.3 Current-carrying capacity.....	23

7.2.4	Contact resistance.....	23
7.2.5	Insulation resistance.....	24
7.2.6	Impedance.....	24
7.2.7	Transmission characteristics.....	24
7.3	Mechanical characteristics	26
7.3.1	Mechanical operation	26
7.3.2	Engaging and withdrawal forces	26
7.3.3	Contact retention in insert.....	27
7.3.4	Static load, transverse	27
7.3.5	Gauge retention force	27
7.3.6	Vibration (sinusoidal).....	27
7.3.7	Shock	27
7.3.8	Polarizing method.....	27
7.3.9	Robustness and effectiveness of coding devices	27
8	Test schedule.....	27
8.1	General.....	27
8.2	Arrangement for contact resistance measurement	28
8.3	Arrangement for contact disturbance measurement (shock and vibration test).....	28
8.4	Arrangement for current carrying measurement.....	29
8.5	Arrangement for dynamic stress tests.....	29
8.6	Arrangement for testing static load; transverse.....	30
8.7	Arrangement for voltage proof and polarization voltage	30
8.8	Arrangement for flammability tests	31
8.9	Test boards for impedance and transmission characteristics	31
8.10	Pre-conditioning	32
8.11	Wiring and mounting of specimens	32
8.11.1	Wiring.....	32
8.11.2	Mounting	32
8.12	Test procedures and measuring methods	33
8.13	Test schedule tables	33
8.13.1	Test group P – Preliminary	33
8.13.2	Test group A – Dynamic/climatic.....	34
8.13.3	Test group B – Mechanical endurance	36
8.13.4	Test group C – Moisture	38
8.13.5	Test group D – Electrical load.....	39
8.13.6	Test group E – Mechanical resistivity.....	40
8.13.7	Test group F – Chemical resistivity	40
8.13.8	Test group G – Connections	41
8.13.9	Test group H – Signal integrity tests	41
	Bibliography.....	43
	Figure 1 – Typical arrangement with a two-part connector	8
	Figure 2 – Typical arrangement with a direct edge connector, not covered in this Standard.....	9
	Figure 3 – Fixed board and free board connector.....	14
	Figure 4 – Mating conditions: lateral offset.....	14
	Figure 5 – Mating conditions: misalignment, angular offset	15
	Figure 6 – Mating conditions: end stop.....	15

Figure 7 – Fixed board connector	16
Figure 8 – Free board connector, part 1	18
Figure 9 – Free board connector, part 2	19
Figure 10 – Dimensions of hole pattern in backplane	21
Figure 11 – Reference points	25
Figure 12 – Crosstalk combinations	26
Figure 13 – Arrangement for resistance measurement	28
Figure 14 – Arrangement for measurement of contact disturbance	29
Figure 15 – Wiring arrangement for current-carrying measurement	29
Figure 16 – Test setup for shock and vibration test	30
Figure 17 – Application of static load	30
Figure 18 – Measurement arrangement for voltage proof	31
Figure 19 – Measurement arrangement for flammability tests	31
Figure 20 – Break out area of the connector footprint.....	31
Figure 21 – Example of a test fixture for fixed board connectors	32
Figure 22 – Example of a test fixture for free board connectors.....	32
Table 1 – Contact arrangement.....	13
Table 2 – Dimensions of fixed board connector.....	17
Table 3 – Dimensions of the free board connector	20
Table 4 – Dimensions of hole pattern in backplane	22
Table 5 – Climatic category	22
Table 6 – Rated insulation voltages	23
Table 7 – Current rating per pin at ambient of 70°C	23
Table 8 – Maximal permissible contact resistance change	24
Table 9 – Minimal insulation resistance.....	24
Table 10 – Number of specimens for test sequence	28
Table 11 – Test group P	33
Table 12 – Test group A	34
Table 13 – Test group B	36
Table 14 – Test group C	38
Table 15 – Test group D	39
Table 16 – Test group E	40
Table 17 – Test group F.....	40
Table 18 – Test group G	41
Table 19 – Test group H	41

INTERNATIONAL ELECTROTECHNICAL COMMISSION

CONNECTORS FOR ELECTRONIC EQUIPMENT – PRODUCT REQUIREMENTS –

Part 4-116: Printed board connectors – Detail specification for a high-speed two-part connector with integrated shielding function

FOREWORD

- 1) The International Electrotechnical Commission (IEC) is a worldwide organization for standardization comprising all national electrotechnical committees (IEC National Committees). The object of IEC is to promote international co-operation on all questions concerning standardization in the electrical and electronic fields. To this end and in addition to other activities, IEC publishes International Standards, Technical Specifications, Technical Reports, Publicly Available Specifications (PAS) and Guides (hereafter referred to as “IEC Publication(s)”). Their preparation is entrusted to technical committees; any IEC National Committee interested in the subject dealt with may participate in this preparatory work. International, governmental and non-governmental organizations liaising with the IEC also participate in this preparation. IEC collaborates closely with the International Organization for Standardization (ISO) in accordance with conditions determined by agreement between the two organizations.
- 2) The formal decisions or agreements of IEC on technical matters express, as nearly as possible, an international consensus of opinion on the relevant subjects since each technical committee has representation from all interested IEC National Committees.
- 3) IEC Publications have the form of recommendations for international use and are accepted by IEC National Committees in that sense. While all reasonable efforts are made to ensure that the technical content of IEC Publications is accurate, IEC cannot be held responsible for the way in which they are used or for any misinterpretation by any end user.
- 4) In order to promote international uniformity, IEC National Committees undertake to apply IEC Publications transparently to the maximum extent possible in their national and regional publications. Any divergence between any IEC Publication and the corresponding national or regional publication shall be clearly indicated in the latter.
- 5) IEC itself does not provide any attestation of conformity. Independent certification bodies provide conformity assessment services and, in some areas, access to IEC marks of conformity. IEC is not responsible for any services carried out by independent certification bodies.
- 6) All users should ensure that they have the latest edition of this publication.
- 7) No liability shall attach to IEC or its directors, employees, servants or agents including individual experts and members of its technical committees and IEC National Committees for any personal injury, property damage or other damage of any nature whatsoever, whether direct or indirect, or for costs (including legal fees) and expenses arising out of the publication, use of, or reliance upon, this IEC Publication or any other IEC Publications.
- 8) Attention is drawn to the Normative references cited in this publication. Use of the referenced publications is indispensable for the correct application of this publication.
- 9) Attention is drawn to the possibility that some of the elements of this IEC Publication may be the subject of patent rights. IEC shall not be held responsible for identifying any or all such patent rights.

International Standard IEC 61076-4-116 has been prepared by subcommittee 48B: Connectors, of IEC technical committee 48: Electromechanical components and mechanical structures for electronic equipment.

The text of this standard is based on the following documents:

FDIS	Report on voting
48B/2280/FDIS	48B/2289/RVD

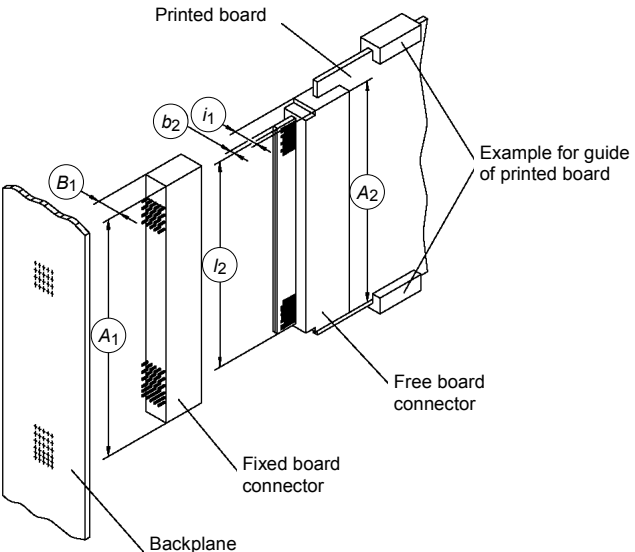
Full information on the voting for the approval of this standard can be found in the report on voting indicated in the above table.

This publication has been drafted in accordance with the ISO/IEC Directives, Part 2.

A list of all parts of IEC 61076, under the general title *Connectors for electronic equipment – Product requirements*, can be found on the IEC website.

The committee has decided that the contents of this publication will remain unchanged until the stability date indicated on the IEC web site under "<http://webstore.iec.ch>" in the data related to the specific publication. At this date, the publication will be

- reconfirmed,
- withdrawn,
- replaced by a revised edition, or
- amended.

<p>IEC SC 48B – Connectors Specification available from: IEC General secretariat or from the addresses shown on the inside cover.</p>	<p>Draft IEC 61076-4-116 Ed. 1.0</p>
<p>ELECTRONIC COMPONENTS DETAIL SPECIFICATION in accordance with IEC 61076-1 and IEC 61076-4</p>	<p>Page 6 of 42</p>
<p style="text-align: center;">Outline drawing</p>  <p style="text-align: right;"><i>IEC 422/12</i></p>	<p>Two-part connector for printed boards and backplanes</p>
	<p>Fixed and free connectors, for industrial environments</p> <p>Performance level: 1</p>

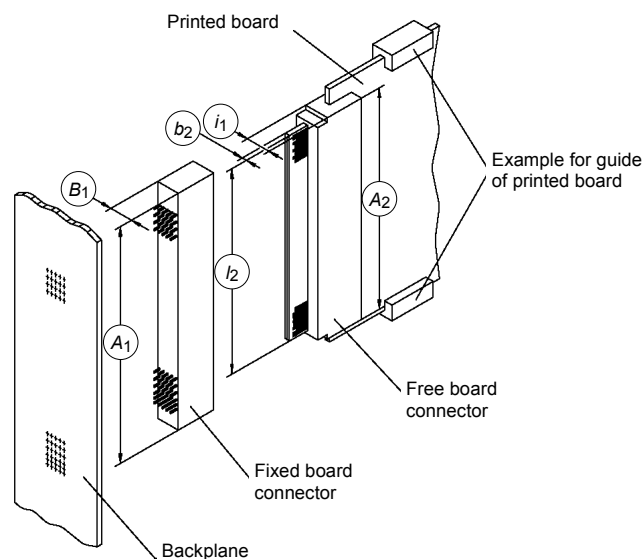
INTRODUCTION

International Standard IEC 61076-4-116 establishes specifications and test requirements for a high-speed two-part connector with integrated shielding function for use as a printed board connector in industrial environments. The connectors have a primary purpose of serving as a platform for telecommunications and enterprise computer network equipment. It is expected that these connectors are going to find applications outside the Telecommunication market, e.g. in the industrial market, as factory automation, process control, industrial communication, medical and others.

The connector type was originally developed in the consortium PCI Industrial Computer Manufacturers Group (whereas PCI is a peripheral component interconnect, which can be used to connect peripheral components to processors via using a bus structure or serially connected fabric based transports). This consortium, referred to in short as PICMG has defined several system specifications describing a backplane connector (fixed connector) in combination with an edge board connector (free connector) as a functional component of a specified Plug-in Unit. These specifications are the AdvancedMC.0 and the MicroTCA.0. The system-description in MicroTCA.0 contains also a test program for the connector. Further information of PICMG and its specifications can be obtained on the following website: www.picmg.org.

Based on the connector type and on PICMG-developments, this International Standard was developed by experts of IEC SC 48B, Connectors. In contrast to the PICMG-standard, the connector described here has two connector halves (a fixed and a free connector, as shown in Figure 1). The fixed connector is based on a $1,6 \text{ mm} \pm 10 \%$ plug-in unit printed board thickness similar to PICMG specifications. In addition, the test program of this IEC Standard differs from that defined in PICMG based on previous existing tests defined in IEC for connectors to suit the needs for use in industry. The resulting test schedule differs from the test-procedures as defined within PICMG to some degree not only in test-severity and conditions but also in test sequence. Experts within IEC SC48B work together with experts from PICMG to reach consensus with regard to similarities and differences in the relevant testprogram. The outcome is intended to be published in separate documents.

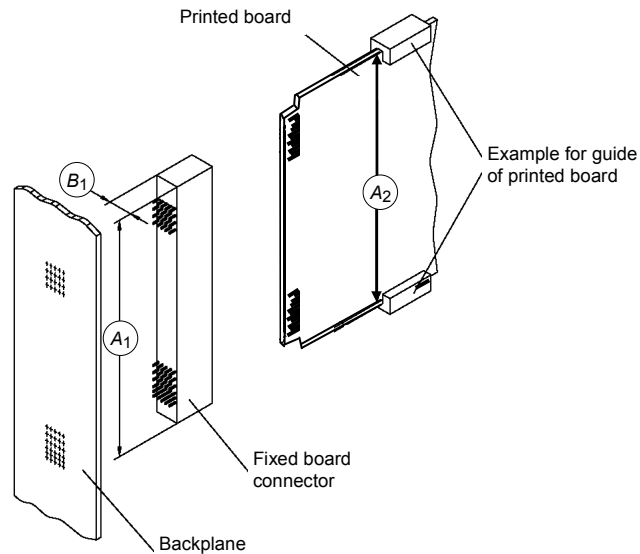
A typical arrangement for such a two-part connector is shown in the following outline sketch (see Figure 1):



IEC 423/12

Figure 1 – Typical arrangement with a two-part connector

Not covered in this International Standard are direct edge connector contacts for printed boards. The reason for this is, that in difference to the PICMG-specification this International Standard is intended to define the connector as a component together with test-procedures only and is not intended to detail functions which are not directly related to the connector system. Examples for such details are the characteristics of the printed circuit board. However, based on the information given in 4.5.1 of this Standard contact positioning and mechanical edge board connector details can be derived. Further information may be obtained in PICMG-specification AdvancedMC.0. Such direct edge connector contacts are applied directly to the printed board edge as part of the printed board circuit (free connector) and form the interface to the backplane (fixed connector), as can be seen in Figure 2.



IEC 424/12

Figure 2 – Typical arrangement with a direct edge connector, not covered in this Standard

The connectors as described in this Standard are referenced in IEC 60297-3-107, which describes dimensions of subracks and plug-in units for their use.

CONNECTORS FOR ELECTRONIC EQUIPMENT – PRODUCT REQUIREMENTS –

Part 4-116: Printed board connectors – Detail specification for a high-speed two-part connector with integrated shielding function

1 Scope

This International Standard establishes specifications and test requirements for a high-speed two-part connector with integrated shielding function for use as a printed board connector in industrial environments.

The connectors connect a backplane to printed boards.

2 Normative references

The following documents, in whole or in part, are normatively referenced in this document and are indispensable for its application. For dated references, only the edition cited applies. For undated references, the latest edition of the referenced document (including any amendments) applies.

IEC 60050-581: 2008, *International Electrotechnical Vocabulary (IEV) – Part 581: Electromechanical components for electronic equipment*

IEC 60068-1, *Environmental testing – Part 1: General and guidance*

IEC 60068-2-52: 1996, *Environmental testing – Part 2-52: Tests – Test Kb: Salt mist, cyclic (sodium, chloride solution)*

IEC 60068-2-54: 2006, *Environmental testing – Part 2-54: Tests – Test Ta: Solderability testing of electronic components by the wetting balance method*

IEC 60512 (all parts), *Connectors for electronic equipment – Tests and measurements*

IEC 60352-5, *Solderless connections – Part 5: Press-in connections – General requirements, test methods and practical guidance*

IEC 60352-8, *Solderless connections – Part 8: Compression mount connections – General requirements, test methods and practical guidance*

SOMMAIRE

AVANT-PROPOS.....	47
INTRODUCTION.....	50
1 Domaine d'application	52
2 Références normatives.....	52
3 Termes et définitions	52
4 Données générales	53
4.1 Méthode de montage recommandée.....	53
4.2 Nombre de contacts et cavités de contact	53
4.3 Valeurs assignées et caractéristiques	53
5 Données techniques.....	54
5.1 Description des styles et des variantes.....	54
5.2 Information sur l'application.....	54
5.2.1 Connecteurs complets (paires)	54
5.2.2 Embases	54
5.2.3 Fiches	54
5.2.4 Accessoires.....	54
5.2.5 Blindage et mise à la terre.....	54
5.2.6 Type de borne de base.....	54
5.3 Arrangement des contacts.....	54
6 Informations dimensionnelles	55
6.1 Généralités.....	55
6.2 Vue en perspective et caractéristiques communes	55
6.2.1 Caractéristiques communes.....	55
6.2.2 Système de référence.....	55
6.3 Informations sur l'accouplement	56
6.3.1 Conditions d'accouplement.....	56
6.3.2 Planarité.....	57
6.4 Embase.....	57
6.4.1 Dimensions	57
6.4.2 Bornes.....	58
6.5 Fiche.....	59
6.5.1 Dimensions	59
6.5.2 Bornes.....	61
6.6 Accessoires.....	61
6.7 Informations sur le montage des embases.....	62
6.8 Informations sur le montage des connecteurs.....	63
6.9 Calibres.....	63
6.9.1 Calibres de forçage et calibres de force de rétention	63
6.9.2 Calibre d'essai pour le premier point de contact	63
7 Caractéristiques	63
7.1 Catégorie climatique.....	63
7.2 Caractéristiques électriques	64
7.2.1 Lignes de fuite et distances dans l'air	64
7.2.2 Tension de tenue.....	64
7.2.3 Courant limite admissible.....	64

7.2.4	Résistance de contact	64
7.2.5	Résistance d'isolement.....	65
7.2.6	Impédance.....	65
7.2.7	Caractéristiques de transmission	65
7.3	Caractéristiques mécaniques.....	67
7.3.1	Fonctionnement mécanique	67
7.3.2	Forces d'insertion et d'extraction	68
7.3.3	Rétention des contacts dans l'isolant.....	68
7.3.4	Charge statique transversale	68
7.3.5	Force de rétention de calibre	68
7.3.6	Vibrations (sinusoïdales)	68
7.3.7	Chocs	68
7.3.8	Méthode de polarisation	68
7.3.9	Robustesse et efficacité des dispositifs de codage	68
8	Programme d'essai.....	69
8.1	Généralités.....	69
8.2	Arrangement pour la mesure de la résistance de contact.....	69
8.3	Arrangement pour la mesure des perturbations des contacts (essai de chocs et de vibrations)	70
8.4	Arrangement pour la mesure du courant admissible	70
8.5	Arrangement pour les essais de contrainte dynamique	71
8.6	Arrangement pour l'essai de charge statique transversale	71
8.7	Arrangement pour la tension de tenue et la tension de polarisation	71
8.8	Arrangement pour les essais d'inflammabilité	72
8.9	Cartes d'essai pour des caractéristiques d'impédance et de transmission	72
8.10	Préconditionnement.....	73
8.11	Câblage et montage des spécimens	73
	8.11.1 Câblage.....	73
	8.11.2 Montage	73
8.12	Procédures d'essai et méthodes de mesure	74
8.13	Tableaux de programmes d'essai	74
	8.13.1 Groupe P – Préliminaire	74
	8.13.2 Groupe d'essai A– Essais dynamiques/climatiques.....	74
	8.13.3 Groupe d'essai B – Endurance mécanique.....	79
	8.13.4 Groupe d'essai C – Humidité	81
	8.13.5 Groupe d'essai D – Charge électrique	82
	8.13.6 Groupe d'essai E – Résistance mécanique	83
	8.13.7 Groupe d'essai F – Résistance chimique	83
	8.13.8 Groupe d'essai G – Connexions	84
	8.13.9 Groupe d'essai H – Essais d'intégrité du signal	85
	Bibliographie.....	87
	Figure 1 – Arrangement typique avec un connecteur en deux parties.....	51
	Figure 2 – Configuration typique avec un connecteur en bout de carte, non couvert dans la présente Norme CEI	51
	Figure 3 – Embase et fiche	55
	Figure 4 – Conditions d'accouplement: décalage latéral.....	56
	Figure 5 – Conditions d'accouplement: défaut d'alignement, décalage angulaire.....	56

Figure 6 – Conditions d'accouplement: butée.....	56
Figure 7 – Embase.....	57
Figure 8 – Fiche, partie 1.....	59
Figure 9 – Fiche, partie 2.....	60
Figure 10 – Dimensions des trous dans le fond de panier.....	62
Figure 11 – Points de référence.....	66
Figure 12 – Combinaison de diaphonies.....	67
Figure 13 – Arrangement pour la mesure de la résistance.....	69
Figure 14 – Arrangement pour la mesure des perturbations des contacts.....	70
Figure 15 – Arrangement du câblage pour la mesure du courant admissible.....	70
Figure 16 – Montage d'essai pour les chocs et vibrations.....	71
Figure 17 – Application de la charge statique.....	71
Figure 18 – Arrangement de la mesure pour la tension de tenue.....	72
Figure 19 – Arrangement de la mesure pour les essais d'inflammabilité.....	72
Figure 20 – Région de sortie de l'empreinte du connecteur.....	72
Figure 21 – Exemple de montage d'essai pour embases.....	73
Figure 22 – Exemple de montage d'essai pour fiches.....	73
Tableau 1 – Arrangement des contacts.....	54
Tableau 2 – Dimensions des embases.....	58
Tableau 3 – Dimensions des fiches.....	61
Tableau 4 – Dimensions des trous dans le fond de panier.....	63
Tableau 5 – Catégorie climatique.....	63
Tableau 6 – Tensions d'isolement assignées.....	64
Tableau 7 – Courant assigné par broche à une température ambiante de 70 °C.....	64
Tableau 8 – Variation de résistance de contact maximale admissible.....	65
Tableau 9 – Résistance d'isolement minimale.....	65
Tableau 10 – Nombre de spécimens pour une séquence d'essai.....	69
Tableau 11 – Groupe P.....	74
Tableau 12 – Groupe A.....	75
Tableau 13 – Groupe B.....	79
Tableau 14 – Groupe C.....	81
Tableau 15 – Groupe D.....	82
Tableau 16 – Groupe E.....	83
Tableau 17 – Groupe F.....	83
Tableau 18 – Groupe G.....	84
Tableau 19 – Groupe H.....	85

COMMISSION ÉLECTROTECHNIQUE INTERNATIONALE

CONNECTEURS POUR ÉQUIPEMENTS ÉLECTRONIQUES – EXIGENCES DE PRODUIT –

Partie 4-116: Connecteurs pour cartes imprimées – Spécification particulière pour un connecteur haute vitesse en deux parties avec une fonction de protection intégrée

AVANT-PROPOS

- 1) La Commission Electrotechnique Internationale (CEI) est une organisation mondiale de normalisation composée de l'ensemble des comités électrotechniques nationaux (Comités nationaux de la CEI). La CEI a pour objet de favoriser la coopération internationale pour toutes les questions de normalisation dans les domaines de l'électricité et de l'électronique. A cet effet, la CEI – entre autres activités – publie des Normes internationales, des Spécifications techniques, des Rapports techniques, des Spécifications accessibles au public (PAS) et des Guides (ci-après dénommés "Publication(s) de la CEI"). Leur élaboration est confiée à des comités d'études, aux travaux desquels tout Comité national intéressé par le sujet traité peut participer. Les organisations internationales, gouvernementales et non gouvernementales, en liaison avec la CEI, participent également aux travaux. La CEI collabore étroitement avec l'Organisation Internationale de Normalisation (ISO), selon des conditions fixées par accord entre les deux organisations.
- 2) Les décisions ou accords officiels de la CEI concernant les questions techniques représentent, dans la mesure du possible, un accord international sur les sujets étudiés, étant donné que les Comités nationaux de la CEI intéressés sont représentés dans chaque comité d'études.
- 3) Les Publications de la CEI se présentent sous la forme de recommandations internationales et sont agréées comme telles par les Comités nationaux de la CEI. Tous les efforts raisonnables sont entrepris afin que la CEI s'assure de l'exactitude du contenu technique de ses publications; la CEI ne peut pas être tenue responsable de l'éventuelle mauvaise utilisation ou interprétation qui en est faite par un quelconque utilisateur final.
- 4) Dans le but d'encourager l'uniformité internationale, les Comités nationaux de la CEI s'engagent, dans toute la mesure possible, à appliquer de façon transparente les Publications de la CEI dans leurs publications nationales et régionales. Toutes divergences entre toutes Publications de la CEI et toutes publications nationales ou régionales correspondantes doivent être indiquées en termes clairs dans ces dernières.
- 5) La CEI elle-même ne fournit aucune attestation de conformité. Des organismes de certification indépendants fournissent des services d'évaluation de conformité et, dans certains secteurs, accèdent aux marques de conformité de la CEI. La CEI n'est responsable d'aucun des services effectués par les organismes de certification indépendants.
- 6) Tous les utilisateurs doivent s'assurer qu'ils sont en possession de la dernière édition de cette publication.
- 7) Aucune responsabilité ne doit être imputée à la CEI, à ses administrateurs, employés, auxiliaires ou mandataires, y compris ses experts particuliers et les membres de ses comités d'études et des Comités nationaux de la CEI, pour tout préjudice causé en cas de dommages corporels et matériels, ou de tout autre dommage de quelque nature que ce soit, directe ou indirecte, ou pour supporter les coûts (y compris les frais de justice) et les dépenses découlant de la publication ou de l'utilisation de cette Publication de la CEI ou de toute autre Publication de la CEI, ou au crédit qui lui est accordé.
- 8) L'attention est attirée sur les références normatives citées dans cette publication. L'utilisation de publications référencées est obligatoire pour une application correcte de la présente publication.
- 9) L'attention est attirée sur le fait que certains des éléments de la présente Publication de la CEI peuvent faire l'objet de droits de brevet. La CEI ne saurait être tenue pour responsable de ne pas avoir identifié de tels droits de brevets et de ne pas avoir signalé leur existence.

La Norme Internationale CEI 61076-4-116 a été établie par le sous-comité 48B: Connecteurs, du comité d'études 48 de la CEI: Composants électromécaniques et structures mécaniques pour équipements électroniques.

Le texte de cette norme est issu des documents suivants:

FDIS	Rapport de vote
48B/2280/FDIS	48B/2289/RVD

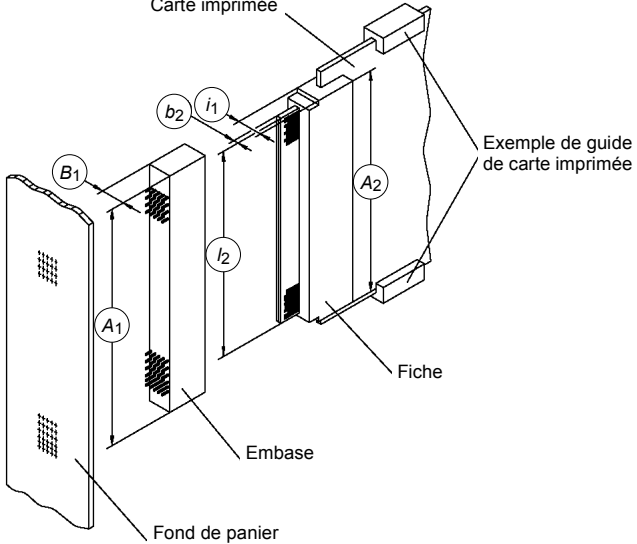
Le rapport de vote indiqué dans le tableau ci-dessus donne toute information sur le vote ayant abouti à l'approbation de cette norme.

Cette publication a été rédigée selon les Directives ISO/CEI, Partie 2.

Une liste de toutes les parties de la série CEI 61076, présentées sous le titre général *Connecteurs pour équipements électroniques – Exigences de produit*, peut être consultée sur le site Internet de la CEI.

Le comité a décidé que le contenu de cette publication ne sera pas modifié avant la date de stabilité indiquée sur le site web de la CEI sous "<http://webstore.iec.ch>" dans les données relatives à la publication recherchée. A cette date, la publication sera

- reconduite,
- supprimée,
- remplacée par une édition révisée, ou
- amendée.

<p>Sous-comité 48B de la CEI: Connecteurs</p> <p>Spécification disponible auprès du secrétariat général de la CEI ou aux adresses indiquées en première page.</p>	<p>CEI 61076-4-116 Ed. 1.0</p>
<p>COMPOSANTS ELECTRONIQUES</p> <p>SPECIFICATION PARTICULIERE selon la CEI 61076-1 et la CEI 61076-4</p>	<p>Page 6 de 42</p>
<p style="text-align: center;">Dessin d'encombrement</p>  <p style="text-align: right;"><i>IEC 422/12</i></p>	<p>Connecteur en deux parties pour cartes imprimées et fonds de panier</p>
	<p>Fiches et embases pour environnements industriels</p>
	<p>Niveau de performance 1</p>

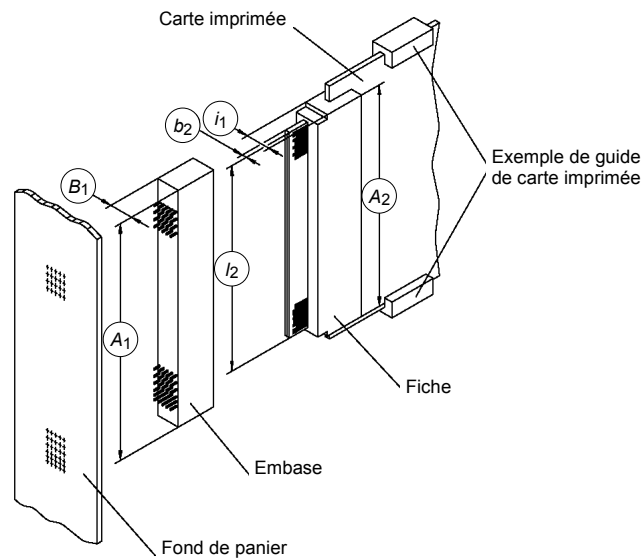
INTRODUCTION

La Norme internationale CEI 61076-4-116 établit des spécifications et des exigences d'essai pour un connecteur haute vitesse en deux parties avec une fonction de protection intégrée destiné à être utilisé comme un connecteur de carte imprimée dans des environnements industriels. Les connecteurs servent principalement de plateforme pour les équipements de télécommunications et pour les équipements des réseaux informatiques d'entreprise. Ces connecteurs pourront être utilisés dans d'autres domaines, par exemple dans l'industrie, pour l'automatisation de sites, les commandes de processus, les communications industrielles, le domaine médical, etc.

A l'origine, le type de connecteur a été développé par le consortium PICMG (*Peripheral Component Interconnect Industrial Computer Manufacturers Group*). PCI est un système d'interconnexion de composants périphériques, qui peut être utilisé pour raccorder des composants périphériques à des processeurs en utilisant une structure de bus ou des systèmes de transport connectés en série. Ce consortium PICMG a défini de nombreuses spécifications de systèmes décrivant un connecteur de fond de panier (embase) en combinaison avec un connecteur d'extrémité de carte (fiche) comme composant fonctionnel d'une unité enfichable spécifiée. Il s'agit des spécifications AdvancedMC.0 et MicroTCA.0. La description du système dans MicroTCA.0 contient également un programme d'essai pour le connecteur. Des informations complémentaires sur la Norme PICMG et ses spécifications peuvent être obtenues sur le site web suivant: www.picmg.org.

Basée sur le type de connecteur et sur les développements de la Norme PICMG, la présente Norme internationale a été développée par les experts du sous-comité 48B de la CEI: Connecteurs. Contrairement à la Norme PICMG, le connecteur décrit ici est constitué de deux moitiés de connecteurs (une embase et une fiche, comme cela est représenté sur la Figure 1). L'embase est basée sur une carte imprimée enfichable de $1,6 \text{ mm} \pm 10 \%$ d'épaisseur similaire aux spécifications de la Norme PICMG. En outre, le programme d'essai de la présente Norme diffère de celui défini dans la Norme PICMG basée sur les essais existants précédents définis dans la CEI pour que les connecteurs soient adaptés aux besoins de l'industrie. Le programme d'essai résultant diffère des procédures d'essai définies par la Norme PICMG non seulement par la sévérité et les conditions des essais, mais également par la séquence des essais. Des experts du sous-comité 48B de la CEI travaillent avec des experts du consortium PICMG pour trouver un consensus sur les similarités et les différences des programmes d'essais concernés. Les résultats seront publiés dans des documents distincts.

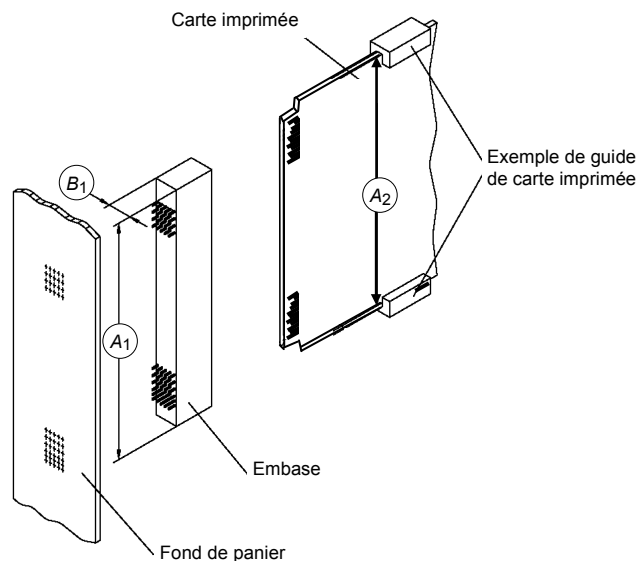
Un arrangement typique pour un tel connecteur en deux parties est représenté ci-dessous (voir Figure 1):



IEC 423/12

Figure 1 – Arrangement typique avec un connecteur en deux parties

Les contacts à connecteurs en bout de carte pour cartes imprimées ne sont pas couverts par la présente Norme. La raison de ceci est que, contrairement à la spécification PICMG, la présente Norme internationale est destinée à définir le connecteur comme un composant avec des procédures d'essai uniquement et non à détailler les fonctions qui ne sont pas directement liées au système de connecteurs. Des exemples de tels détails sont les caractéristiques de la carte imprimée. Toutefois, le paragraphe 4.5.1 de la présente Norme CEI donne des informations sur le positionnement des contacts et les caractéristiques mécaniques des connecteurs d'extrémité de carte. Il est possible d'obtenir davantage d'informations dans la spécification AdvancedMC.0. De tels contacts à connecteurs en bout de carte sont appliqués directement au bord de la carte imprimée et font partie du circuit imprimé (fiche). Ils forment l'interface avec le fond de panier (embase), comme on peut le voir sur la Figure 2.



IEC 424/12

Figure 2 – Configuration typique avec un connecteur en bout de carte, non couvert dans la présente Norme

Les connecteurs décrits dans la présente Norme sont présentés dans la CEI 60297-3-107, qui donne les dimensions des tiroirs et des unités enfichables.

CONNECTEURS POUR ÉQUIPEMENTS ÉLECTRONIQUES – EXIGENCES DE PRODUIT –

Partie 4-116: Connecteurs pour cartes imprimées – Spécification particulière pour un connecteur haute vitesse en deux parties avec une fonction de protection intégrée

1 Domaine d'application

La présente Norme internationale établit des spécifications et des exigences d'essai pour un connecteur haute vitesse en deux parties avec une fonction de protection intégrée destiné à être utilisé comme un connecteur de carte imprimée dans des environnements industriels.

Les connecteurs raccordent un fond de panier à des cartes imprimées.

2 Références normatives

Les documents suivants sont cités en référence de manière normative, en intégralité ou en partie, dans le présent document et sont indispensables pour son application. Pour les références datées, seule l'édition citée s'applique. Pour les références non datées, la dernière édition du document de référence s'applique (y compris les éventuels amendements).

CEI 60050-581:2008, *Vocabulaire Electrotechnique International (VEI) – Partie 581: Composants électromécaniques pour équipements électroniques*

CEI 60068-1, *Essais d'environnement – Partie 1: Généralités et guide*

CEI 60068-2-52: 1996, *Essais d'environnement – Partie 2-52: Essais – Essai Kb: Brouillard salin, essai cyclique (solution de chlorure de sodium)*.

CEI 60068-2-54: 2006, *Essais d'environnement – Partie 2-54: Essais – Essai Ta: Essai de brasabilité des composants électroniques par la méthode de la balance de mouillage* (disponible en anglais seulement)

CEI 60512 (toutes les parties), *Connecteurs pour équipements électroniques – Essais et mesures*

CEI 60352-5: *Connexions sans soudure – Partie 5: Connexions insérées à force – Exigences générales, méthodes d'essai et guide pratique*

CEI 60352-8: *Connexions sans soudure – Partie 8: Connexions par compression – Exigences générales, méthodes d'essai et guide pratique*