



INTERNATIONAL STANDARD

NORME INTERNATIONALE

Connectors for electrical and electronic equipment – Product requirements – Part 8-109: Power connectors – Detail specification for 2P 130 A, 1 000 V plus 2P 5 A 50 V rectangular housing shielded connectors with IP65/IP68 degree of protection when mated and locked, and IPXXB when unmated

Connecteurs pour équipements électriques et électroniques – Exigences de produit – Partie 8-109: Connecteurs d'alimentation – Spécification particulière pour les connecteurs blindés rectangulaires à 2 pôles de 130 A et 1 000 V plus 2 pôles de 5 A et 50 V, avec un degré de protection IP65/IP68 lorsqu'ils sont accouplés et verrouillés, et IPXXB lorsqu'ils sont désaccouplés, logés dans un boîtier

INTERNATIONAL
ELECTROTECHNICAL
COMMISSION

COMMISSION
ELECTROTECHNIQUE
INTERNATIONALE

ICS 31.220.10

ISBN 978-2-8322-6982-4

**Warning! Make sure that you obtained this publication from an authorized distributor.
Attention! Veuillez vous assurer que vous avez obtenu cette publication via un distributeur agréé.**

CONTENTS

FOREWORD.....	5
1 Scope.....	8
2 Normative references	8
3 Terms and definitions	11
4 Technical information	11
4.1 Recommended method of termination	11
4.1.1 General	11
4.1.2 Number of contacts and contact cavities.....	11
4.2 Ratings and characteristics	11
4.3 Systems of levels.....	12
4.3.1 Performance levels	12
4.3.2 Compatibility levels.....	12
4.4 Classification into climatic categories.....	12
4.5 Clearance and creepage distance	12
4.6 Current-carrying capacity	12
4.7 Marking.....	13
5 Dimensional information	13
5.1 General.....	13
5.2 Isometric view and common features	13
5.2.1 Isometric view of free connectors (Figure 1)	13
5.2.2 Isometric view of fixed connectors (Figure 2).....	13
5.3 Engagement (mating) information	13
5.3.1 General	13
5.3.2 Perpendicular to the engaging (mating) direction	14
5.3.3 Inclination.....	14
5.4 Free connectors.....	14
5.4.1 Dimensions (Figure 3, Figure 4, Table 2, Table 3, Table 4).....	14
5.4.2 Terminations.....	17
5.5 Fixed connectors	17
5.5.1 Dimensions (Figure 5, Table 5).....	17
5.5.2 Terminations.....	19
5.6 Accessories	20
5.7 Mounting information	20
5.8 Gauges – Sizing gauges and retention force gauges.....	20
6 Technical characteristics	20
6.1 Classification into climatic categories.....	20
6.2 Electrical characteristics	21
6.2.1 Clearance and creepage distance.....	21
6.2.2 Voltage proof.....	21
6.2.3 Contact resistance.....	21
6.2.4 Housing (shell) electrical continuity and shielding effectiveness.....	21
6.2.5 Insulation resistance.....	21
6.2.6 Current-carrying capacity.....	22
6.2.7 Electrical load and temperature	22
6.3 Mechanical characteristics	22
6.3.1 Mechanical operation.....	22

6.3.2	Effectiveness of connector coupling devices	23
6.3.3	Gauge retention force (resilient contact)	23
6.3.4	Engaging and separating forces	23
6.3.5	Contact retention in insert	23
6.3.6	Polarizing and keying method	23
6.4	Dynamic stress tests	23
6.4.1	Vibration (sine)	23
6.4.2	Shock	24
6.4.3	Free fall (repeated)	24
6.4.4	IP degree of protection	24
6.4.5	Glow-wire flammability test method for end-products (GWEPT)	24
6.5	Climatic tests	25
6.5.1	Damp heat, steady state	25
6.5.2	Rapid change of temperature	25
6.5.3	Corrosion, salt mist	25
6.5.4	Dry heat	25
6.5.5	Cold	25
6.5.6	Low air pressure	25
6.6	Environmental aspects	26
6.6.1	Marking of insulation material (plastic)	26
6.6.2	Design/use of material	26
7	Test schedule	26
7.1	General	26
7.2	Test schedules	26
7.2.1	Basic (minimum) test schedule	26
7.2.2	Full test schedule	26
7.3	Test procedures and measurement methods	36
7.4	Pre-conditioning	36
7.5	Wiring and mounting of test specimens	36
7.5.1	Wiring	36
7.5.2	Mounting	36
Figure 1 – Free connectors		13
Figure 2 – Fixed connectors		13
Figure 3 – Free connector		14
Figure 4 – Free connector codings		16
Figure 5 – Fixed connector		17
Figure 6 – Fixed connector codings		19
Figure 7 – Gauge for signal contacts		20
Figure 8 – Gauge for power contacts		20
Figure 9 – Current-temperature derating (50 mm ² wire size)		22
Table 1 – Climatic category		12
Table 2 – Free connector dimensions		14
Table 3 – Free connector codings dimensions (codings 1 and 2)		16
Table 4 – Free connector codings dimensions (codings 3 and 4)		17
Table 5 – Fixed connector dimensions		18

Table 6 – Fixed connector codings dimensions (codings 1 and 2)	19
Table 7 – Fixed connector codings dimensions (codings 3 and 4)	19
Table 8 – Gauge dimensions.....	20
Table 9 – Voltage proof.....	21
Table 10 – Vibration.....	24
Table 11 – Number of test specimens	26
Table 12 – Test group P	27
Table 13 – Test group AP	28
Table 14 – Test group BP	29
Table 15 – Test group CP	30
Table 16 – Test group DP	31
Table 17 – Test group EP	32
Table 18 – Test group GP	33
Table 19 – Test group HP	34
Table 20 – Test group JP.....	34
Table 21 – Test group KP	35

INTERNATIONAL ELECTROTECHNICAL COMMISSION

**CONNECTORS FOR ELECTRICAL AND ELECTRONIC EQUIPMENT –
PRODUCT REQUIREMENTS –**

**Part 8-109: Power connectors –
Detail specification for 2P 130 A, 1 000 V plus 2P 5 A 50 V rectangular
housing shielded connectors with IP65/IP68 degree of protection when
mated and locked, and IPXXB when unmated**

FOREWORD

- 1) The International Electrotechnical Commission (IEC) is a worldwide organization for standardization comprising all national electrotechnical committees (IEC National Committees). The object of IEC is to promote international co-operation on all questions concerning standardization in the electrical and electronic fields. To this end and in addition to other activities, IEC publishes International Standards, Technical Specifications, Technical Reports, Publicly Available Specifications (PAS) and Guides (hereafter referred to as “IEC Publication(s)”). Their preparation is entrusted to technical committees; any IEC National Committee interested in the subject dealt with may participate in this preparatory work. International, governmental and non-governmental organizations liaising with the IEC also participate in this preparation. IEC collaborates closely with the International Organization for Standardization (ISO) in accordance with conditions determined by agreement between the two organizations.
- 2) The formal decisions or agreements of IEC on technical matters express, as nearly as possible, an international consensus of opinion on the relevant subjects since each technical committee has representation from all interested IEC National Committees.
- 3) IEC Publications have the form of recommendations for international use and are accepted by IEC National Committees in that sense. While all reasonable efforts are made to ensure that the technical content of IEC Publications is accurate, IEC cannot be held responsible for the way in which they are used or for any misinterpretation by any end user.
- 4) In order to promote international uniformity, IEC National Committees undertake to apply IEC Publications transparently to the maximum extent possible in their national and regional publications. Any divergence between any IEC Publication and the corresponding national or regional publication shall be clearly indicated in the latter.
- 5) IEC itself does not provide any attestation of conformity. Independent certification bodies provide conformity assessment services and, in some areas, access to IEC marks of conformity. IEC is not responsible for any services carried out by independent certification bodies.
- 6) All users should ensure that they have the latest edition of this publication.
- 7) No liability shall attach to IEC or its directors, employees, servants or agents including individual experts and members of its technical committees and IEC National Committees for any personal injury, property damage or other damage of any nature whatsoever, whether direct or indirect, or for costs (including legal fees) and expenses arising out of the publication, use of, or reliance upon, this IEC Publication or any other IEC Publications.
- 8) Attention is drawn to the Normative references cited in this publication. Use of the referenced publications is indispensable for the correct application of this publication.
- 9) Attention is drawn to the possibility that some of the elements of this IEC Publication may be the subject of patent rights. IEC shall not be held responsible for identifying any or all such patent rights.

IEC 61076-8-109 has been prepared by subcommittee 48B: Electrical connectors, of IEC technical committee 48: Electrical connectors and mechanical structures for electrical and electronic equipment. It is an International Standard.

The text of this International Standard is based on the following documents:

Draft	Report on voting
48B/2949/CDV	48B/2996/RVC

Full information on the voting for its approval can be found in the report on voting indicated in the above table.

The language used for the development of this International Standard is English.

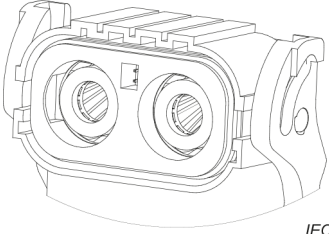
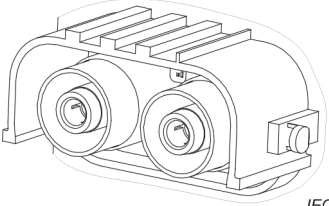
This document was drafted in accordance with ISO/IEC Directives, Part 2, and developed in accordance with ISO/IEC Directives, Part 1 and ISO/IEC Directives, IEC Supplement, available at www.iec.ch/members_experts/refdocs. The main document types developed by IEC are described in greater detail at www.iec.ch/publications.

A list of all parts of IEC 61076 series, under the general title *Connectors for electrical and electronic equipment – Product requirements*, can be found on the IEC website.

Future standards in this series will carry the new general title as cited above. Titles of existing standards in this series will be updated at the time of the next edition.

The committee has decided that the contents of this document will remain unchanged until the stability date indicated on the IEC website under webstore.iec.ch in the data related to the specific document. At this date, the document will be

- reconfirmed,
- withdrawn,
- replaced by a revised edition, or
- amended.

The International Electrotechnical Commission IEC SC 48B – Electrical connectors		IEC 61076-8-109
Detail specification in accordance with IEC 61076-8		
Free connector	 <p>Free connector</p> <p style="text-align: right; font-size: small;"><i>IEC</i></p>	For rated current of 130 A DC; 2P power plus 2P signal; Female contacts for power; First break last make male contacts for signal; Straight insertion and withdrawal; 360° shielding; Four codings.
Fixed connector	 <p>Fixed connector</p> <p style="text-align: right; font-size: small;"><i>IEC</i></p>	For rated current of 130 A DC; 2P power plus 2P signal; Male contacts for power; Female contacts for signal; Straight insertion and withdrawal; 360° shielding; Four codings.

CONNECTORS FOR ELECTRICAL AND ELECTRONIC EQUIPMENT – PRODUCT REQUIREMENTS –

Part 8-109: Power connectors – Detail specification for 2P 130 A, 1 000 V plus 2P 5 A 50 V rectangular housing shielded connectors with IP65/IP68 degree of protection when mated and locked, and IPXXB when unmated

1 Scope

This part of IEC 61076-8 describes free and fixed rectangular connectors with:

- 2P power plus 2P signal contacts;
- plastic housing with locking lever and four possible codings;
- 130 A rated current, 1 000 V DC rated voltage on the power section;
- 5 A rated current, 50 V DC rated voltage on the signal section;
- individual shielding around each power contact with relevant shielding termination;
- IP65/IP68 degree of protection when mated and locked and IPXXB on both plug, and receptacle parts when unmated;

hereinafter referred to as a connector, for use in electrical and electronic equipment, including overall dimensions, interface dimensions, technical characteristics, performance requirements and test methods.

Connectors according to this document are intended for use in class II equipment. Hence, they are not equipped with PE contact.

2 Normative references

The following documents are referred to in the text in such a way that some or all of their content constitutes requirements of this document. For dated references, only the edition cited applies. For undated references, the latest edition of the referenced document (including any amendments) applies.

IEC 60050-581:2008, *International Electrotechnical Vocabulary (IEV) – Part 581: Electromechanical components for electronic equipment*

IEC 60068-1, *Environmental testing – Part 1: General and guidance*

IEC 60228:2004, *Conductors of insulated cables*

IEC 60352-1, *Solderless connections – Part 1: Wrapped connections – General requirements, test methods and practical guidance*

IEC 60352-2, *Solderless connections – Part 2: Crimped connections – General requirements, test methods and practical guidance*

IEC 60352-3, *Solderless connections – Part 3: Accessible insulation displacement (ID) connections – General requirements, test methods and practical guidance*

IEC 60352-4, *Solderless connections – Part 4: Non-accessible insulation displacement (ID) connections – General requirements, test methods and practical guidance*

IEC 60352-5, *Solderless connections – Part 5: Press-in connections – General requirements, test methods and practical guidance*

IEC 60352-6, *Solderless connections – Part 6: Insulation piercing connections – General requirements, test methods and practical guidance*

IEC 60352-7, *Solderless connections – Part 7: Spring clamp connections – General requirements, test methods and practical guidance*

IEC 60512-1-1, *Connectors for electronic equipment – Tests and measurements – Part 1-1: General examination – Test 1a: Visual examination*

IEC 60512-1-2, *Connectors for electronic equipment – Test and measurements – Part 1-2: General examination – Test 1b: Examination of dimension and mass*

IEC 60512-2-1, *Connectors for electronic equipment – Tests and measurements – Part 2-1: Electrical continuity and contact resistance tests – Test 2a: Contact resistance – Millivolt level method*

IEC 60512-2-2, *Connectors for electronic equipment – Tests and measurements – Part 2-2: Electrical continuity and contact resistance tests – Test 2b: Contact resistance – Specified test current method*

IEC 60512-2-5, *Connectors for electronic equipment – Tests and measurements – Part 2-5: Electrical continuity and contact resistance tests – Test 2e: Contact disturbance*

IEC 60512-2-6, *Connectors for electronic equipment – Tests and measurements – Part 2-6: Electrical continuity and contact resistance tests – Test 2f: Housing (shell) electrical continuity*

IEC 60512-3-1, *Connectors for electronic equipment – Tests and measurements – Part 3-1: Insulation tests – Test 3a: Insulation resistance*

IEC 60512-4-1, *Connectors for electronic equipment – Tests and measurements – Part 4-1: Voltage stress tests – Test 4a: Voltage proof*

IEC 60512-5-2, *Connectors for electronic equipment – Tests and measurements – Part 5-2: Current-carrying capacity tests – Test 5b: Current-temperature derating*

IEC 60512-6-3, *Connectors for electronic equipment – Tests and measurements – Part 6-3: Dynamic stress tests – Test 6c: Shock*

IEC 60512-6-4, *Connectors for electronic equipment – Tests and measurements – Part 6-4: Dynamic stress tests – Test 6d: Vibration (sinusoidal)*

IEC 60512-7-1, *Connectors for electronic equipment – Tests and measurements – Part 7-1: Impact tests (free connectors) – Test 7a: Free fall (repeated)*

IEC 60512-9-1, *Connectors for electronic equipment – Tests and measurements – Part 9-1: Endurance tests – Test 9a: Mechanical operation*

IEC 60512-9-2, *Connectors for electronic equipment – Tests and measurements – Part 9-2: Endurance tests – Test 9b: Electrical load and temperature*

IEC 60512-11-1, *Connectors for electrical and electronic equipment – Tests and measurements – Part 11-1: Climatic tests – Test 11a: Climatic sequence*

IEC 60512-11-3, *Connectors for electronic equipment – Tests and measurements – Part 11-3: Climatic tests – Test 11c: Damp heat, steady state*

IEC 60512-11-4, *Connectors for electronic equipment – Tests and measurements – Part 11-4: Climatic tests – Test 11d: Rapid change of temperature*

IEC 60512-11-6, *Connectors for electronic equipment – Tests and measurements – Part 11-6: Climatic tests – Test 11f: Corrosion, salt mist*

IEC 60512-11-9, *Connectors for electronic equipment – Tests and measurements – Part 11-9: Climatic tests – Test 11i: Dry heat*

IEC 60512-11-10, *Connectors for electronic equipment – Tests and measurements – Part 11-10: Climatic tests – Test 11j: Cold*

IEC 60512-11-11, *Connectors for electronic equipment – Tests and measurements – Part 11-11: Climatic tests – Test 11k: Low air pressure*

IEC 60512-11-12, *Connectors for electronic equipment – Tests and measurements – Part 11-12: Climatic tests – Test 11m: Damp heat, cyclic*

IEC 60512-13-1, *Connectors for electronic equipment – Tests and measurements – Part 13-1: Mechanical operation tests – Test 13a: Engaging and separating forces*

IEC 60512-13-5, *Connectors for electronic equipment – Tests and measurements – Part 13-5: Mechanical operation tests – Test 13e: Polarizing and keying method*

IEC 60512-15-1, *Connectors for electronic equipment – Tests and measurements – Part 15-1: Connector tests (mechanical) – Test 15a: Contact retention in insert*

IEC 60512-15-6, *Connectors for electronic equipment – Tests and measurements – Part 15-6: Connector tests (mechanical) – Test 15f: Effectiveness of connector coupling devices*

IEC 60512-16-5, *Connectors for electronic equipment – Tests and measurements – Part 16-5: Mechanical tests on contacts and terminations – Test 16e: Gauge retention force (resilient contacts)*

IEC 60529:1989, *Degrees of protection provided by enclosures (IP Code)*

IEC 60529:1989/AMD1:1999

IEC 60529:1989/AMD2:2013

IEC 60695-2-11:2021, *Fire hazard testing – Part 2-11: Glowing/hot-wire based test methods – Glow-wire flammability test method for end products (GWEPT)*

IEC 60999-1, *Connecting devices – Electrical copper conductors – Safety requirements for screw-type and screwless-type clamping units – Part 1: General requirements and particular requirements for clamping units for conductors from 0,2 mm² up to 35 mm² (included)*

IEC 60999-2, *Connecting devices – Electrical copper conductors – Safety requirements for screw-type and screwless-type clamping units – Part 2: Particular requirements for clamping units for conductors above 35 mm² up to 300 mm² (included)*

IEC 61076-1:2006, *Connectors for electronic equipment – Product requirements – Part 1: Generic specification*
IEC 61076-1:2006/AMD1:2019

IEC 61984:2008, *Connectors – Safety requirements and tests*

IEC 62153-4-6, *Metallic cables and other passive components test methods – Part 4-6: Electromagnetic compatibility (EMC) – Surface transfer impedance – Line injection method*

IEC 62430:2019, *Environmentally conscious design (ECD) – Principles, requirements and guidance*

IEC Guide 109, *Environmental aspects – Inclusion in electrotechnical product standards*

ISO 6508-1:2015, *Metallic materials – Rockwell hardness test – Part 1: Test method*

ISO 11469:2000, *Plastics – Generic identification and marking of plastics products*

ISO 21920-1:2021, *Geometrical product specifications (GPS) – Surface texture: Profile – Part 1: Indication of surface texture*

SOMMAIRE

AVANT-PROPOS	41
1 Domaine d'application	44
2 Références normatives	44
3 Termes et définitions	47
4 Informations techniques.....	47
4.1 Méthode de sortie recommandée	47
4.1.1 Généralités	47
4.1.2 Nombre de contacts et de cavités de contact	47
4.2 Valeurs assignées et caractéristiques	48
4.3 Systèmes de niveaux	48
4.3.1 Niveaux de performances	48
4.3.2 Niveaux de compatibilité	48
4.4 Classification en catégories climatiques	48
4.5 Distances d'isolement et lignes de fuite	48
4.6 Courant admissible	49
4.7 Marquage	49
5 Informations relatives aux dimensions	49
5.1 Généralités	49
5.2 Vue isométrique et caractéristiques communes.....	49
5.2.1 Vue isométrique des fiches (Figure 1).....	49
5.2.2 Vue isométrique des embases (Figure 2).....	49
5.3 Informations relatives à l'accouplement	50
5.3.1 Généralités	50
5.3.2 Perpendiculaire au sens d'accouplement	50
5.3.3 Inclinaison	50
5.4 Fiches.....	51
5.4.1 Dimensions (Figure 3, Figure 4, Tableau 2, Tableau 3, Tableau 4)	51
5.4.2 Sorties	54
5.5 Embases.....	54
5.5.1 Dimensions (Figure 5, Tableau 5).....	54
5.5.2 Sorties	56
5.6 Accessoires	57
5.7 Informations de montage	57
5.8 Calibres – Calibres de dimensionnement et calibres de force de rétention	57
6 Caractéristiques techniques.....	57
6.1 Classification en catégories climatiques	57
6.2 Caractéristiques électriques.....	58
6.2.1 Distances d'isolement et lignes de fuite	58
6.2.2 Tension de tenue	58
6.2.3 Résistance de contact	58
6.2.4 Continuité électrique du boîtier (coquille) et efficacité du blindage	58
6.2.5 Résistance d'isolement	58
6.2.6 Courant admissible	59
6.2.7 Charge électrique et température	59
6.3 Caractéristiques mécaniques	59
6.3.1 Fonctionnement mécanique	59

6.3.2	Efficacité des dispositifs d'accouplement des connecteurs.....	60
6.3.3	Force de rétention du calibre (contact élastique)	60
6.3.4	Forces d'accouplement et de désaccouplement	60
6.3.5	Rétention des contacts dans l'isolant	60
6.3.6	Méthode de détrompage et de codage	60
6.4	Essais de contraintes dynamiques	60
6.4.1	Vibrations (sinusoïdales)	60
6.4.2	Chocs	61
6.4.3	Chute libre (essai répété)	61
6.4.4	Degré de protection IP	61
6.4.5	Méthode d'essai d'inflammabilité pour produits finis (GWEPT).....	61
6.5	Essais climatiques	62
6.5.1	Chaleur humide, essai continu.....	62
6.5.2	Variations rapides de température	62
6.5.3	Corrosion, brouillard salin	62
6.5.4	Chaleur sèche	62
6.5.5	Froid.....	62
6.5.6	Basse pression atmosphérique	62
6.6	Aspects environnementaux	63
6.6.1	Marquage des matériaux isolants (plastiques)	63
6.6.2	Conception/utilisation des matériaux.....	63
7	Programme d'essais	63
7.1	Généralités	63
7.2	Programmes d'essai	63
7.2.1	Programme d'essai de base (minimal)	63
7.2.2	Programme d'essai complet.....	63
7.3	Procédures d'essai et méthodes de mesure	74
7.4	Préconditionnement	75
7.5	Câblage et montage des spécimens.....	75
7.5.1	Câblage.....	75
7.5.2	Montage	75
Figure 1 – Fiches		49
Figure 2 – Embases		49
Figure 3 – Fiche.....		51
Figure 4 – Détrompages des fiches.....		53
Figure 5 – Embase.....		54
Figure 6 – Détrompages des embases		56
Figure 7 – Calibre pour contacts de signal		57
Figure 8 – Calibre pour contacts d'alimentation.....		57
Figure 9 – Taux de réduction de l'intensité en fonction de la température (section de fil de 50 mm ²)		59
Tableau 1 – Catégorie climatique.....		48
Tableau 2 – Dimensions d'une fiche		51
Tableau 3 – Dimensions des détrompages des fiches (détrompages 1 et 2).....		53
Tableau 4 – Dimensions des détrompages des fiches (détrompages 3 et 4).....		54

Tableau 5 – Dimensions des embases	55
Tableau 6 – Dimensions des détrompages des embases (détrompages 1 et 2)	56
Tableau 7 – Dimensions des détrompages des embases (détrompages 3 et 4)	56
Tableau 8 – Dimensions du calibre	57
Tableau 9 – Tension de tenue	58
Tableau 10 – Vibrations	61
Tableau 11 – Nombre de spécimens	63
Tableau 12 – Groupe d’essais P	64
Tableau 13 – Groupe d’essais AP	65
Tableau 14 – Groupe d’essais BP	67
Tableau 15 – Groupe d’essais CP	68
Tableau 16 – Groupe d’essais DP	69
Tableau 17 – Groupe d’essais EP	70
Tableau 18 – Groupe d’essais GP	72
Tableau 19 – Groupe d’essais HP	72
Tableau 20 – Groupe d’essais JP	73
Tableau 21 – Groupe d’essais KP	73

COMMISSION ÉLECTROTECHNIQUE INTERNATIONALE

CONNECTEURS POUR ÉQUIPEMENTS ÉLECTRIQUES ET ÉLECTRONIQUES – EXIGENCES DE PRODUIT –

Partie 8-109: Connecteurs d'alimentation – Spécification particulière pour les connecteurs blindés rectangulaires à 2 pôles de 130 A et 1 000 V plus 2 pôles de 5 A et 50 V, avec un degré de protection IP65/IP68 lorsqu'ils sont accouplés et verrouillés, et IPXXB lorsqu'ils sont désaccouplés, logés dans un boîtier

AVANT-PROPOS

- 1) La Commission Electrotechnique Internationale (IEC) est une organisation mondiale de normalisation composée de l'ensemble des comités électrotechniques nationaux (Comités nationaux de l'IEC). L'IEC a pour objet de favoriser la coopération internationale pour toutes les questions de normalisation dans les domaines de l'électricité et de l'électronique. À cet effet, l'IEC – entre autres activités – publie des Normes internationales, des Spécifications techniques, des Rapports techniques, des Spécifications accessibles au public (PAS) et des Guides (ci-après dénommés "Publication(s) de l'IEC"). Leur élaboration est confiée à des comités d'études, aux travaux desquels tout Comité national intéressé par le sujet traité peut participer. Les organisations internationales, gouvernementales et non gouvernementales, en liaison avec l'IEC, participent également aux travaux. L'IEC collabore étroitement avec l'Organisation Internationale de Normalisation (ISO), selon des conditions fixées par accord entre les deux organisations.
- 2) Les décisions ou accords officiels de l'IEC concernant les questions techniques représentent, dans la mesure du possible, un accord international sur les sujets étudiés, étant donné que les Comités nationaux de l'IEC intéressés sont représentés dans chaque comité d'études.
- 3) Les Publications de l'IEC se présentent sous la forme de recommandations internationales et sont agréées comme telles par les Comités nationaux de l'IEC. Tous les efforts raisonnables sont entrepris afin que l'IEC s'assure de l'exactitude du contenu technique de ses publications; l'IEC ne peut pas être tenue responsable de l'éventuelle mauvaise utilisation ou interprétation qui en est faite par un quelconque utilisateur final.
- 4) Dans le but d'encourager l'uniformité internationale, les Comités nationaux de l'IEC s'engagent, dans toute la mesure possible, à appliquer de façon transparente les Publications de l'IEC dans leurs publications nationales et régionales. Toutes divergences entre toutes Publications de l'IEC et toutes publications nationales ou régionales correspondantes doivent être indiquées en termes clairs dans ces dernières.
- 5) L'IEC elle-même ne fournit aucune attestation de conformité. Des organismes de certification indépendants fournissent des services d'évaluation de conformité et, dans certains secteurs, accèdent aux marques de conformité de l'IEC. L'IEC n'est responsable d'aucun des services effectués par les organismes de certification indépendants.
- 6) Tous les utilisateurs doivent s'assurer qu'ils sont en possession de la dernière édition de cette publication.
- 7) Aucune responsabilité ne doit être imputée à l'IEC, à ses administrateurs, employés, auxiliaires ou mandataires, y compris ses experts particuliers et les membres de ses comités d'études et des Comités nationaux de l'IEC, pour tout préjudice causé en cas de dommages corporels et matériels, ou de tout autre dommage de quelque nature que ce soit, directe ou indirecte, ou pour supporter les coûts (y compris les frais de justice) et les dépenses découlant de la publication ou de l'utilisation de cette Publication de l'IEC ou de toute autre Publication de l'IEC, ou au crédit qui lui est accordé.
- 8) L'attention est attirée sur les références normatives citées dans cette publication. L'utilisation de publications référencées est obligatoire pour une application correcte de la présente publication.
- 9) L'attention est attirée sur le fait que certains des éléments du présent document de l'IEC peuvent faire l'objet de droits de brevet. L'IEC ne saurait être tenue pour responsable de ne pas avoir identifié de tels droits de brevets.

L'IEC 61076-8-109 a été établie par le sous-comité 48B: Connecteurs électriques, du comité d'études 48 de l'IEC: Connecteurs électriques et structures mécaniques pour les équipements électriques et électroniques. Il s'agit d'une Norme internationale.

Le texte de cette Norme internationale est issu des documents suivants:

Projet	Rapport de vote
48B/2949/CDV	48B/2996/RVC

Le rapport de vote indiqué dans le tableau ci-dessus donne toute information sur le vote ayant abouti à son approbation.

La langue employée pour l'élaboration de cette Norme internationale est l'anglais.

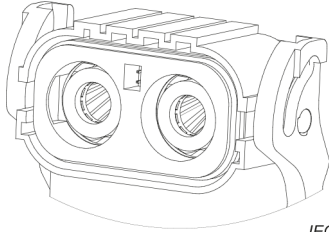
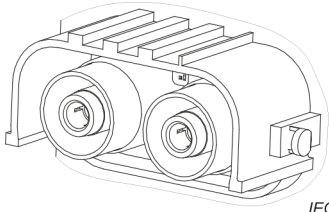
Ce document a été rédigé selon les Directives ISO/IEC, Partie 2, il a été développé selon les Directives ISO/IEC, Partie 1 et les Directives ISO/IEC, Supplément IEC, disponibles sous www.iec.ch/members_experts/refdocs. Les principaux types de documents développés par l'IEC sont décrits plus en détail sous www.iec.ch/publications.

Une liste de toutes les parties de la série IEC 61076, publiées sous le titre général *Connecteurs pour équipements électriques et électroniques – Exigences de produit*, se trouve sur le site web de l'IEC.

Les futures normes de cette série porteront le nouveau titre général cité ci-dessus. Le titre des normes qui existent déjà dans cette série sera mis à jour lors de leur prochaine édition.

Le comité a décidé que le contenu de ce document ne sera pas modifié avant la date de stabilité indiquée sur le site web de l'IEC sous webstore.iec.ch dans les données relatives au document recherché. A cette date, le document sera

- reconduit;
- supprimé;
- remplacé par une édition révisée; ou
- amendé.

La Commission Electrotechnique Internationale IEC SC 48B – Connecteurs électriques		IEC 61076-8-109
Spécification particulière conformément à l'IEC 61076-8		
Fiche	 <p style="text-align: right;"><i>IEC</i></p> <p style="text-align: center;">Fiche</p>	<p>Pour courant assigné de 130 A en courant continu; Alimentation 2P plus signal 2P; Contacts d'alimentation femelles; Contacts de signal séquentiels mâles; Insertion et extraction linéaires; Blindage 360°; Quatre détrompages.</p>
Embase	 <p style="text-align: right;"><i>IEC</i></p> <p style="text-align: center;">Embase</p>	<p>Pour courant assigné de 130 A en courant continu; Alimentation 2P plus signal 2P; Contacts d'alimentation mâles; Contacts de signal femelles; Insertion et extraction linéaires; Blindage 360°; Quatre détrompages.</p>

CONNECTEURS POUR ÉQUIPEMENTS ÉLECTRIQUES ET ÉLECTRONIQUES – EXIGENCES DE PRODUIT –

Partie 8-109: Connecteurs d'alimentation – Spécification particulière pour les connecteurs blindés rectangulaires à 2 pôles de 130 A et 1 000 V plus 2 pôles de 5 A et 50 V, avec un degré de protection IP65/IP68 lorsqu'ils sont accouplés et verrouillés, et IPXXB lorsqu'ils sont désaccouplés, logés dans un boîtier

1 Domaine d'application

La présente partie de l'IEC 61076-8 décrit les embases et fiches rectangulaires avec:

- contacts d'alimentation 2P plus de signal 2P;
- boîtier en plastique avec levier de verrouillage et quatre détrompages possibles;
- courant assigné de 130 A, tension assignée de 1 000 V en courant continu sur la section d'alimentation;
- courant assigné de 5 A, tension assignée de 50 V en courant continu sur la section de signal;
- blindage dédié autour de chaque contact d'alimentation avec une sortie de blindage appropriée;
- degré de protection IP65/IP68 lorsqu'elles sont accouplées et verrouillées, et IPXXB sur la fiche et l'embase lorsqu'elles ne sont pas accouplées;

ci-après dénommés "connecteur", lorsqu'il est utilisé dans les équipements électriques et électroniques, y compris les dimensions hors tout, les dimensions d'interface, les caractéristiques techniques, les exigences de performance et les méthodes d'essai.

Les connecteurs conformes au présent document sont destinés à être utilisés dans les équipements de classe II. Par conséquent, ils ne sont équipés d'aucun contact PE.

2 Références normatives

Les documents suivants sont cités dans le texte de sorte qu'ils constituent, pour tout ou partie de leur contenu, des exigences du présent document. Pour les références datées, seule l'édition citée s'applique. Pour les références non datées, la dernière édition du document de référence s'applique (y compris les éventuels amendements).

IEC 60050-581:2008, *Vocabulaire Electrotechnique International (IEV) – Partie 581: Composants électromécaniques pour équipements électroniques*

IEC 60068-1, *Essais d'environnement – Partie 1: Généralités et lignes directrices*

IEC 60228:2004, *Ames des câbles isolés*

IEC 60352-1, *Connexions sans soudure – Partie 1: Connexions enroulées – Règles générales, méthodes d'essai et guide pratique*

IEC 60352-2, *Connexions sans soudure – Partie 2: Connexions serties – Exigences générales, méthodes d'essai et guide pratique*

IEC 60352-3, *Connexions sans soudure – Partie 3: Connexions autodénudantes accessibles – Règles générales, méthodes d'essai et guide pratique*

IEC 60352-4, *Connexions sans soudure – Partie 4: Connexions autodénudantes (CAD) non accessibles sans soudure – Règles générales, méthodes d'essai et guide pratique*

IEC 60352-5, *Connexions sans soudure – Partie 5: Connexions insérées à force – Exigences générales, méthodes d'essai et guide pratique*

IEC 60352-6, *Connexions sans soudure – Partie 6: Connexions à percement d'isolant – Exigences générales, méthodes d'essai et guide pratique*

IEC 60352-7, *Connexions sans soudure – Partie 7: Connexions à ressort – Règles générales, méthodes d'essai et guide pratique*

IEC 60512-1-1, *Connecteurs pour équipements électroniques – Essais et mesures – Partie 1-1: Examen général – Essai 1a: Examen visuel*

IEC 60512-1-2, *Connecteurs pour équipements électroniques – Essais et mesures – Partie 1-2: Examen général – Essai 1b: Examen de dimension et masse*

IEC 60512-2-1, *Connecteurs pour équipements électroniques – Essais et mesures – Partie 2-1: Essais de continuité électrique et de résistance de contact – Essai 2a: Résistance de contact – Méthode du niveau des millivolts*

IEC 60512-2-2, *Connecteurs pour équipements électroniques – Essais et mesures – Partie 2-2: Essais de continuité électrique et de résistance de contact – Essai 2b: Résistance de contact – Méthode du courant d'essai spécifié*

IEC 60512-2-5, *Connecteurs pour équipements électroniques – Essais et mesures – Partie 2-5: Essais de continuité électrique et de résistance de contact – Essai 2e: Perturbation de contact*

IEC 60512-2-6, *Connecteurs pour équipements électroniques – Essais et mesures – Partie 2-6: Essais de continuité électrique et de résistance de contact – Essai 2f: Continuité électrique du boîtier (coquille)*

IEC 60512-3-1, *Connecteurs pour équipements électroniques – Essais et mesures – Partie 3-1: Essais d'isolement – Essai 3a: Résistance d'isolement*

IEC 60512-4-1, *Connecteurs pour équipements électroniques – Essais et mesures – Partie 4-1: Essais de contrainte diélectrique – Essai 4a: Tension de tenue*

IEC 60512-5-2, *Connecteurs pour équipements électroniques – Essais et mesures – Partie 5-2: Essais de courant limite – Essai 5b: Taux de réduction de l'intensité en fonction de la température*

IEC 60512-6-3, *Connecteurs pour équipements électroniques – Essais et mesures – Partie 6-3: Essais de contraintes dynamiques – Essai 6c: Chocs*

IEC 60512-6-4, *Connecteurs pour équipements électroniques – Essais et mesures – Partie 6-4: Essais de contraintes dynamiques – Essai 6d: Vibrations (sinusoïdales)*

IEC 60512-7-1, *Connecteurs pour équipements électroniques – Essais et mesures – Partie 7-1: Essais d'impact (fiches) – Essai 7a: Chute libre (essai répété)*

IEC 60512-9-1, *Connecteurs pour équipements électroniques – Essais et mesures – Partie 9-1: Essais d'endurance – Essai 9a: Fonctionnement mécanique*

IEC 60512-9-2, *Connecteurs pour équipements électroniques – Essais et mesures – Partie 9-2: Essais d'endurance – Essai 9b: Charge électrique et température*

IEC 60512-11-1, *Connecteurs pour équipements électriques et électroniques – Essais et mesures – Partie 11-1: Essais climatiques – Essai 11a: Séquence climatique*

IEC 60512-11-3, *Connecteurs pour équipements électroniques – Essais et mesures – Partie 11-3: Essais climatiques – Essai 11c: Essai continu de chaleur humide*

IEC 60512-11-4, *Connecteurs pour équipements électroniques – Essais et mesures – Partie 11-4: Essais climatiques – Essai 11d: Variations rapides de température*

IEC 60512-11-6, *Connecteurs pour équipements électroniques – Essais et mesures – Partie 11-6: Essais climatiques – Essai 11f: Corrosion, brouillard salin*

IEC 60512-11-9, *Connecteurs pour équipements électroniques – Essais et mesures – Partie 11-9: Essais climatiques – Essai 11i: Chaleur sèche*

IEC 60512-11-10, *Connecteurs pour équipements électroniques – Essais et mesures – Partie 11-10: Essais climatiques – Essai 11j: Froid*

IEC 60512-11-11, *Connecteurs pour équipements électroniques – Essais et mesures – Partie 11-11: Essais climatiques – Essai 11k: Basse pression atmosphérique*

IEC 60512-11-12, *Connecteurs pour équipements électroniques – Essais et mesures – Partie 11-12: Essais climatiques – Essai 11m: Essai cyclique de chaleur humide*

IEC 60512-13-1, *Connecteurs pour équipements électroniques – Essais et mesures – Partie 13-1: Essais de fonctionnement mécanique – Essai 13a: Forces d'accouplement et de désaccouplement*

IEC 60512-13-5, *Connecteurs pour équipements électroniques – Essais et mesures – Partie 13-5: Essais de fonctionnement mécanique – Essai 13e: Méthode de polarisation et de codage*

IEC 60512-15-1, *Connecteurs pour équipements électroniques – Essais et mesures – Partie 15-1: Essais (mécaniques) des connecteurs – Essai 15a: Rétention des contacts dans l'isolant*

IEC 60512-15-6, *Connecteurs pour équipements électroniques – Essais et mesures – Partie 15-6: Essais (mécaniques) des connecteurs – Essai 15f: Efficacité des dispositifs d'accouplement des connecteurs*

IEC 60512-16-5, *Connecteurs pour équipements électroniques – Essais et mesures – Partie 16-5: Essais mécaniques des contacts et des sorties – Essai 16e: Force de rétention du calibre (contacts élastiques)*

IEC 60529:1989, *Degrés de protection procurés par les enveloppes (Code IP)*
IEC 60529:1989/AMD1:1999
IEC 60529:1989/AMD2:2013

IEC 60695-2-11:2021, *Essais relatifs aux risques du feu – Partie 2-11: Essais au fil incandescent/chauffant – Méthode d'essai d'inflammabilité pour produits finis (GWEPT)*

IEC 60999-1, *Dispositifs de connexion – Conducteurs électriques en cuivre – Prescriptions de sécurité pour organes de serrage à vis et sans vis – Partie 1: Prescriptions générales et particulières pour les organes de serrage pour les conducteurs de 0,2 mm² à 35 mm² (inclus)*

IEC 60999-2, *Dispositifs de connexion – Conducteurs électriques en cuivre – Prescriptions de sécurité pour organes de serrage à vis et sans vis – Partie 2: Prescriptions particulières pour les organes de serrage pour conducteurs au-dessus de 35 mm² et jusqu'à 300 mm² (inclus)*

IEC 61076-1:2006, *Connecteurs pour équipements électroniques – Exigences de produit – Partie 1: Spécification générique*
IEC 61076-1:2006/AMD1:2019

IEC 61984:2008, *Connecteurs – Exigences de sécurité et essais*

IEC 62153-4-6, *Metallic cables and other passive components test methods – Part 4-6: Electromagnetic compatibility (EMC) – Surface transfer impedance – Line injection method* (disponible en anglais seulement)

IEC 62430:2019, *Écoconception (ECD) – Principes, exigences et recommandations*

IEC Guide 109, *Aspects liés à l'environnement – Prise en compte dans les normes électrotechniques de produits*

ISO 6508-1:2015, *Matériaux métalliques – Essai de dureté Rockwell – Partie 1: Méthode d'essai*

ISO 11469:2000, *Plastiques – Identification générique et marquage des produits en matière plastique*

ISO 21920-1: 2021, *Spécification géométrique des produits (GPS) – Etat de surface: Méthode du profil – Partie 1: Indication des états de surface*