



# INTERNATIONAL STANDARD

# NORME INTERNATIONALE

---

**Railway applications – Rolling stock – Combined test method for traction systems**

**Applications ferroviaires – Matériel roulant – Méthode d'essais combinés pour systèmes de traction**

INTERNATIONAL  
ELECTROTECHNICAL  
COMMISSION

COMMISSION  
ELECTROTECHNIQUE  
INTERNATIONALE

---

ICS 45.060

ISBN 978-2-8322-3101-2

**Warning! Make sure that you obtained this publication from an authorized distributor.  
Attention! Veuillez vous assurer que vous avez obtenu cette publication via un distributeur agréé.**

## CONTENTS

FOREWORD.....	6
1 Scope.....	8
2 Normative references .....	10
3 Terms and definitions .....	10
4 Traction system characteristics.....	12
5 General test requirements .....	13
6 General test conditions.....	14
6.1 Test setup.....	14
6.1.1 Setup of traction system under test.....	14
6.1.2 Test bench architecture .....	15
6.2 Cooling during the test.....	17
6.3 Mechanical output measurement.....	18
6.3.1 General .....	18
6.3.2 Summation of losses method.....	18
6.3.3 Comparison of power method .....	19
6.3.4 Comparison of current method.....	20
6.3.5 Back to back method .....	21
6.4 Tolerances and measuring accuracy .....	21
6.5 Environmental conditions .....	21
7 Torque characteristic test .....	22
7.1 General.....	22
7.2 Torque characteristics test at motor hot .....	22
7.2.1 Test objective .....	22
7.2.2 Test conditions .....	22
7.2.3 Test procedure .....	23
7.2.4 Acceptance criteria .....	23
7.3 Torque characteristics test at motor cold.....	23
7.3.1 Test objective .....	23
7.3.2 Test conditions .....	23
7.3.3 Test procedure .....	24
7.3.4 Acceptance criteria .....	24
7.4 Starting torque at zero speed.....	24
7.4.1 Test objective .....	24
7.4.2 Test conditions .....	24
7.4.3 Test procedure .....	24
7.4.4 Acceptance criteria .....	24
8 Efficiency and energy consumption test.....	24
8.1 General.....	24
8.2 Efficiency characteristics .....	25
8.2.1 Test objective .....	25
8.2.2 Test conditions .....	25
8.2.3 Test procedure .....	25
8.2.4 Acceptance criteria .....	25
8.3 Energy consumption on route profile.....	26
8.3.1 Test objective .....	26

8.3.2	Test conditions .....	26
8.3.3	Test procedure .....	26
8.3.4	Acceptance criteria .....	26
9	Temperature rise test .....	27
9.1	General.....	27
9.2	Temperature rise test at constant load .....	27
9.2.1	Test objective .....	27
9.2.2	Test conditions .....	27
9.2.3	Test procedure .....	27
9.2.4	Acceptance criteria .....	28
9.3	Temperature rise on route profile .....	28
9.3.1	Test objective .....	28
9.3.2	Test conditions .....	28
9.3.3	Test procedure .....	28
9.3.4	Acceptance criteria .....	28
9.4	Test with wheel diameter differences for paralleled asynchronous motors .....	29
9.4.1	General .....	29
9.4.2	Test objective .....	29
9.4.3	Test conditions .....	29
9.4.4	Test procedure .....	30
10	System function test .....	31
10.1	Start from backward/reverse motion.....	31
10.1.1	Test objective .....	31
10.1.2	Test conditions .....	31
10.1.3	Test procedure .....	31
10.1.4	Acceptance criteria .....	31
10.2	Motoring-braking transition.....	31
10.2.1	Test objective .....	31
10.2.2	Test conditions .....	31
10.2.3	Test procedure .....	32
10.2.4	Acceptance criteria .....	32
11	Variation of line voltage .....	32
11.1	Test objective .....	32
11.2	Test conditions .....	32
11.3	Test procedure.....	33
11.4	Acceptance criteria .....	34
12	System protection test .....	34
12.1	General.....	34
12.2	Rapid voltage changes test.....	34
12.2.1	Test objective .....	34
12.2.2	Test conditions .....	34
12.2.3	Test procedure .....	35
12.2.4	Acceptance criteria .....	36
12.3	Traction supply voltage interruption .....	36
12.3.1	Test objective .....	36
12.3.2	Test conditions .....	36
12.3.3	Test procedure .....	36
12.3.4	Acceptance criteria .....	36

12.4	Traction supply contact loss .....	36
12.4.1	Test objective .....	36
12.4.2	Test conditions .....	36
12.4.3	Test procedure .....	37
12.4.4	Acceptance criteria .....	37
12.5	Sudden loss of regeneration capability .....	37
12.5.1	Test objective .....	37
12.5.2	Test conditions .....	37
12.5.3	Test procedure .....	38
12.5.4	Acceptance criteria .....	38
12.6	Traction inverter stop .....	38
12.6.1	Test objective .....	38
12.6.2	Test conditions .....	38
12.6.3	Test procedure .....	38
12.6.4	Acceptance criteria .....	38
12.7	Temperature calculation functions .....	39
12.7.1	General .....	39
12.7.2	Test objective .....	39
12.7.3	Test conditions .....	39
12.7.4	Test procedure .....	39
12.7.5	Acceptance criteria .....	39
12.8	Over-current and over-voltage protection .....	39
12.9	Control battery supply interruption .....	39
12.9.1	Test objective .....	39
12.9.2	Test conditions .....	39
12.9.3	Test procedure .....	39
12.9.4	Acceptance criteria .....	40
13	Fault management test .....	40
13.1	General .....	40
13.2	Loss of sensor function .....	40
13.3	Loss of command and feedback signals .....	40
13.4	Fault in cooling systems .....	40
13.5	Earth and short-circuit faults .....	41
Annex A (normative)	List of combined tests .....	42
Annex B (informative)	List of clauses with agreements between the user and manufacturer .....	43
Annex C (normative)	Special test items and conditions for DC motors .....	44
C.1	General .....	44
C.2	Test bench architecture .....	44
C.2.1	Test setup .....	44
C.2.2	Load system .....	44
C.3	Commutation test .....	45
Bibliography	.....	46
Figure 1	– Overview of traction system architecture .....	8
Figure 2	– Example of relationship between the “traction system under test” and the “traction system” .....	9
Figure 3	– Traction system – relationship between user, suppliers and manufacturer .....	11

Figure 4 – Example of peak temperatures on route profile .....	13
Figure 5 – Example of test bench architecture with speed controlled load system .....	15
Figure 6 – Example of test bench architecture with back to back method .....	16
Figure 7 – Examples of simulating auxiliary load and traction load power supply .....	17
Figure 8 – Example of measurement using summation of losses method .....	18
Figure 9 – Example of measurement using comparison of power method.....	20
Figure 10 – Example of measurement using comparison of current method .....	21
Figure 11 – Example of measurement using back to back method.....	21
Figure 12 – Torque characteristics of a traction system .....	23
Figure 13 – Effect of wheel diameter mismatch on the torque characteristic of asynchronous motor .....	29
Figure 14 – Test conditions for motoring-braking transition .....	32
Figure 15 – Test conditions in traction system range of voltage .....	33
Figure 16 – Test conditions for variation of the voltage .....	33
Figure 17 – Rapid voltage change with DC line voltage.....	35
Figure 18 – Rapid voltage change with AC line voltage.....	35
Figure 19 – Example of method to create a rapid voltage change .....	36
Figure 20 – Example of method to simulate the traction supply contact loss.....	37
Figure 21 – Example of method to create loss of regenerative capability.....	38
Figure C.1 – Example of braking configuration for a traction system under test with separately excited DC motor .....	44
Figure C.2 – Test bench arrangement for back to back test of the traction system under test with a DC motor .....	45
Table A.1 – List of combined tests .....	42
Table B.1 – List of subclauses including agreements between the user and manufacturer .....	43

## INTERNATIONAL ELECTROTECHNICAL COMMISSION

---

### **RAILWAY APPLICATIONS – ROLLING STOCK – COMBINED TEST METHOD FOR TRACTION SYSTEMS**

#### FOREWORD

- 1) The International Electrotechnical Commission (IEC) is a worldwide organization for standardization comprising all national electrotechnical committees (IEC National Committees). The object of IEC is to promote international co-operation on all questions concerning standardization in the electrical and electronic fields. To this end and in addition to other activities, IEC publishes International Standards, Technical Specifications, Technical Reports, Publicly Available Specifications (PAS) and Guides (hereafter referred to as "IEC Publication(s)"). Their preparation is entrusted to technical committees; any IEC National Committee interested in the subject dealt with may participate in this preparatory work. International, governmental and non-governmental organizations liaising with the IEC also participate in this preparation. IEC collaborates closely with the International Organization for Standardization (ISO) in accordance with conditions determined by agreement between the two organizations.
- 2) The formal decisions or agreements of IEC on technical matters express, as nearly as possible, an international consensus of opinion on the relevant subjects since each technical committee has representation from all interested IEC National Committees.
- 3) IEC Publications have the form of recommendations for international use and are accepted by IEC National Committees in that sense. While all reasonable efforts are made to ensure that the technical content of IEC Publications is accurate, IEC cannot be held responsible for the way in which they are used or for any misinterpretation by any end user.
- 4) In order to promote international uniformity, IEC National Committees undertake to apply IEC Publications transparently to the maximum extent possible in their national and regional publications. Any divergence between any IEC Publication and the corresponding national or regional publication shall be clearly indicated in the latter.
- 5) IEC itself does not provide any attestation of conformity. Independent certification bodies provide conformity assessment services and, in some areas, access to IEC marks of conformity. IEC is not responsible for any services carried out by independent certification bodies.
- 6) All users should ensure that they have the latest edition of this publication.
- 7) No liability shall attach to IEC or its directors, employees, servants or agents including individual experts and members of its technical committees and IEC National Committees for any personal injury, property damage or other damage of any nature whatsoever, whether direct or indirect, or for costs (including legal fees) and expenses arising out of the publication, use of, or reliance upon, this IEC Publication or any other IEC Publications.
- 8) Attention is drawn to the Normative references cited in this publication. Use of the referenced publications is indispensable for the correct application of this publication.
- 9) Attention is drawn to the possibility that some of the elements of this IEC Publication may be the subject of patent rights. IEC shall not be held responsible for identifying any or all such patent rights.

International Standard IEC 61377 has been prepared by IEC technical committee 9: Electrical equipment and systems for railways.

This edition cancels and replaces IEC 61377-1 (2006), IEC 61377-2 (2002) and IEC 61377-3 (2002). It constitutes a technical revision.

This edition includes the following main technical changes with regard to the previous editions: it includes updates as necessary in order to meet the current technical state of the art, to improve clarity and to create an edition that considers all types of motors part of a traction system.

The text of this standard is based on the following documents:

FDIS	Report on voting
9/2078/FDIS	9/2113/RVD

Full information on the voting for the approval of this standard can be found in the report on voting indicated in the above table.

This publication has been drafted in accordance with the ISO/IEC Directives, Part 2.

The committee has decided that the contents of this publication will remain unchanged until the stability date indicated on the IEC website under "<http://webstore.iec.ch>" in the data related to the specific publication. At this date, the publication will be

- reconfirmed,
- withdrawn,
- replaced by a revised edition, or
- amended.

## RAILWAY APPLICATIONS – ROLLING STOCK – COMBINED TEST METHOD FOR TRACTION SYSTEMS

### 1 Scope

This International Standard applies to the traction system consisting (when it applies) of traction motor(s), converter(s), traction control equipment including software, transformer, input filters, brake resistors, main circuit-breaker, cooling equipment, transducers, contactors, etc.

Figure 1 is just an overview and is not representative of all traction system architectures.

Current collector, mechanical braking systems and gearbox are not in the scope of this standard.

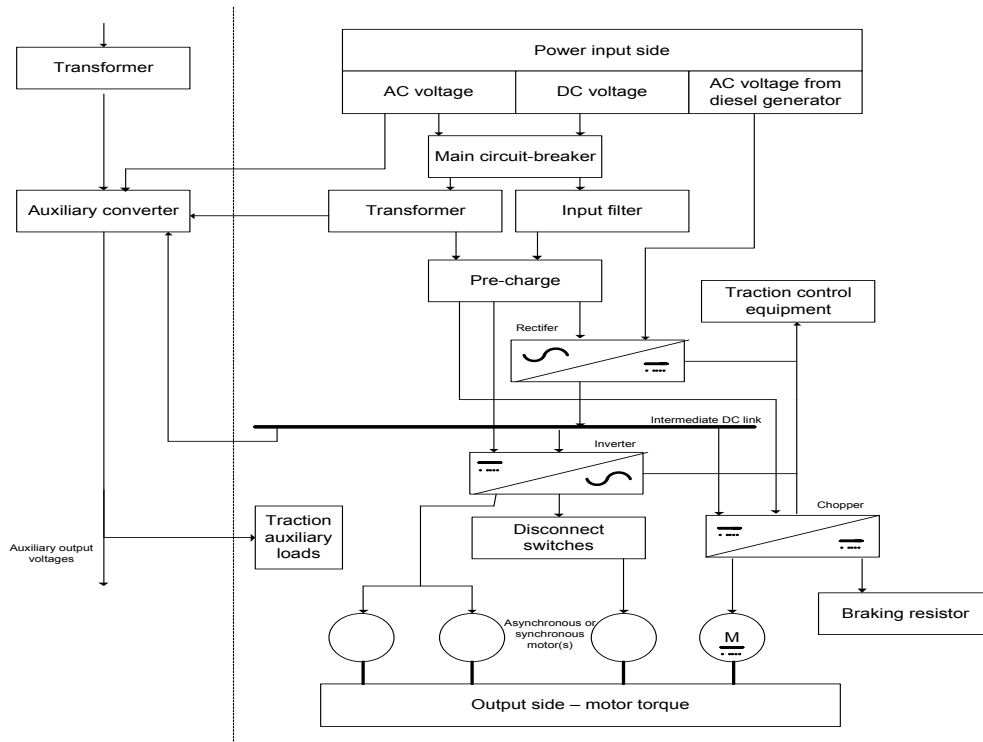
Types of motors applicable in this standard are asynchronous, or synchronous including permanent magnet (PMM), or direct current (DC).

The auxiliary converter(s) is (are) part of the scope when the auxiliary converter is enclosed within the traction converter. Otherwise, when the traction system feeds an auxiliary system outside the traction converter, the auxiliary system can be replaced by an equivalent load.

NOTE 1 Energy storage system is not considered in this standard since there is no specific type test standard for energy storage system.

NOTE 2 Auxiliary loads validation is not part of this standard.

NOTE 3 The gearbox can be part of test set-up, but it is not a part of traction system.



IEC

**Figure 1 – Overview of traction system architecture**



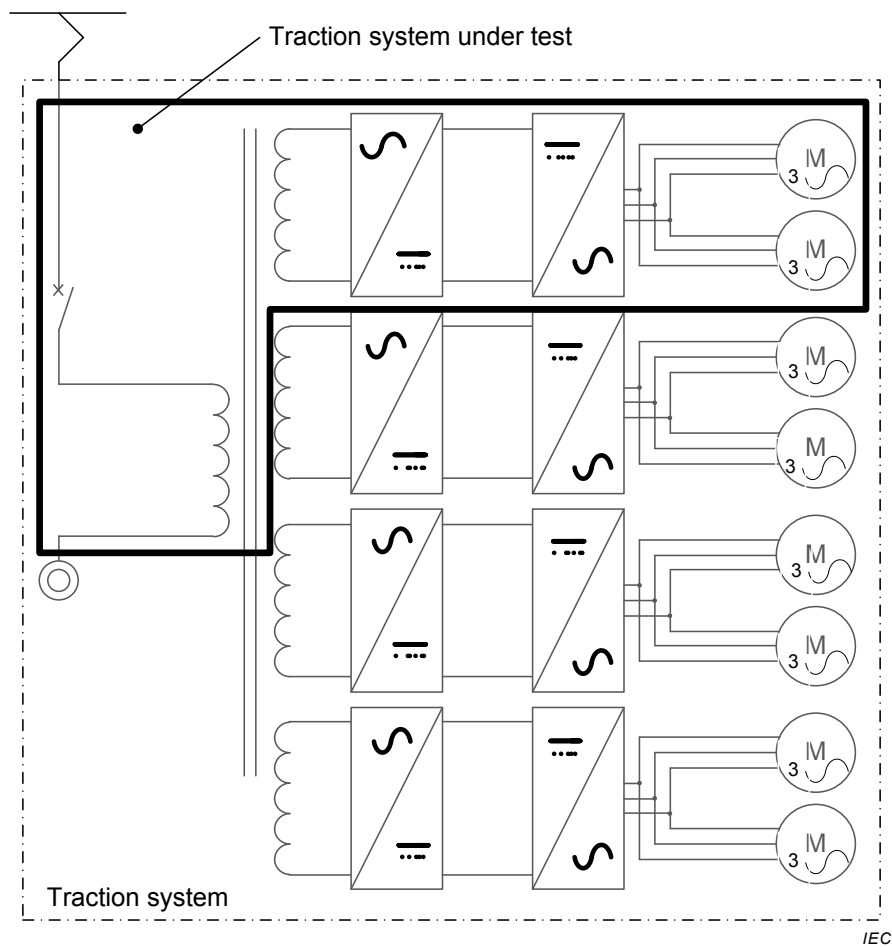
The objective of this standard is to specify the type test of a traction system, mainly comprising of:

- test of performance characteristics;
- test methods of verifying these performance characteristics.

This standard does not specify the type test of each individual component.

The traction system under test incorporates at least one complete traction conversion line (at least one traction converter and its related loads, one transformer in the case of AC supply or input filter in the case of DC supply). The representativeness of the traction system under test versus the actual traction system is agreed between the user and manufacturer.

Figure 2 gives one example of the relationship between the traction system under test and the whole traction system.



**Figure 2 – Example of relationship between the “traction system under test” and the “traction system”**

The traction system under test is equipped with components that are representative of the production series.

Deviations may be permitted by agreement between user and manufacturer, and are justified from an impact stand point in advance of the test. Using equivalent components or parts is permitted if no significant influence on the test result is expected.

## 2 Normative references

The following documents, in whole or in part, are normatively referenced in this document and are indispensable for its application. For dated references, only the edition cited applies. For undated references, the latest edition of the referenced document (including any amendments) applies.

IEC 60050 (all parts): *International Electrotechnical Vocabulary* (available at <http://www.electropedia.org>)

IEC 60349-1, *Electric traction – Rotating electrical machines for rail and road vehicles – Part 1: Machines other than electronic converter-fed alternating current motors*

IEC 60349-2, *Electric traction – Rotating electrical machines for rail and road vehicles – Part 2: Electronic converter-fed alternating current motors*

IEC TS 60349-3, *Electric traction – Rotating electrical machines for rail and road vehicles – Part 3: Determination of the total losses of converter-fed alternating current motors by summation of the component losses*

IEC 60349-4, *Electric traction – Rotating electrical machines for rail and road vehicles – Part 4: Permanent magnet synchronous electrical machines connected to an electronic converter*

IEC 60850, *Railway applications – Supply voltages of traction systems*

IEC 61133, *Railway applications – Rolling stock – Testing of rolling stock on completion of construction and before entry into service*

IEC 61287-1, *Railway applications – Power converters installed on board rolling stock – Part 1: Characteristics and test methods*

IEC 62313, *Railway applications – Power supply and rolling stock – Technical criteria for the coordination between power supply (substation) and rolling stock*

## SOMMAIRE

AVANT-PROPOS .....	52
1 Domaine d'application .....	54
2 Références normatives .....	57
3 Termes et définitions .....	57
4 Caractéristiques du système de traction .....	60
5 Exigences générales d'essai .....	61
6 Conditions générales d'essai .....	62
6.1 Montage d'essai.....	62
6.1.1 Montage du système de traction en essai .....	62
6.1.2 Architecture du banc d'essai.....	62
6.2 Refroidissement pendant l'essai.....	66
6.3 Mesurage de la puissance mécanique de sortie .....	66
6.3.1 Généralités.....	66
6.3.2 Méthode par sommation des pertes .....	66
6.3.3 Méthode par comparaison de puissance .....	68
6.3.4 Méthode par comparaison de courant .....	69
6.3.5 Méthode dos à dos .....	69
6.4 Tolérances et exactitude de mesure.....	70
6.5 Conditions d'environnement.....	70
7 Essai des caractéristiques de couple .....	70
7.1 Généralités .....	70
7.2 Essai des caractéristiques de couple, moteur chaud .....	71
7.2.1 Objectif de l'essai .....	71
7.2.2 Conditions d'essai .....	71
7.2.3 Procédure d'essai.....	71
7.2.4 Critères d'acceptation.....	72
7.3 Essai des caractéristiques de couple, moteur froid.....	72
7.3.1 Objectif de l'essai .....	72
7.3.2 Conditions d'essai .....	72
7.3.3 Procédure d'essai.....	73
7.3.4 Critères d'acceptation.....	73
7.4 Couple de démarrage à vitesse nulle .....	73
7.4.1 Objectif de l'essai .....	73
7.4.2 Conditions d'essai .....	73
7.4.3 Procédure d'essai.....	73
7.4.4 Critères d'acceptation.....	73
8 Rendement et essai de consommation d'énergie .....	73
8.1 Généralités .....	73
8.2 Caractéristiques de rendement .....	74
8.2.1 Objectif de l'essai .....	74
8.2.2 Conditions d'essai .....	74
8.2.3 Procédure d'essai.....	74
8.2.4 Critères d'acceptation.....	74
8.3 Consommation d'énergie sur profil d'itinéraire.....	75
8.3.1 Objectif de l'essai .....	75

8.3.2	Conditions d'essai .....	75
8.3.3	Procédure d'essai .....	75
8.3.4	Critères d'acceptation .....	75
9	Essai d'échauffement .....	76
9.1	Généralités .....	76
9.2	Essai d'échauffement à charge constante .....	76
9.2.1	Objectif de l'essai .....	76
9.2.2	Conditions d'essai .....	76
9.2.3	Procédure d'essai .....	76
9.2.4	Critères d'acceptation .....	77
9.3	Échauffement sur profil d'itinéraire .....	77
9.3.1	Objectif de l'essai .....	77
9.3.2	Conditions d'essai .....	77
9.3.3	Procédure d'essai .....	77
9.3.4	Critères d'acceptation .....	78
9.4	Essai avec différences de diamètre des roues pour moteurs asynchrones en parallèle .....	78
9.4.1	Généralités .....	78
9.4.2	Objectif de l'essai .....	78
9.4.3	Conditions d'essai .....	79
9.4.4	Procédure d'essai .....	79
10	Essai de fonctionnement du système .....	80
10.1	Essai de la fonction antirecul .....	80
10.1.1	Objectif de l'essai .....	80
10.1.2	Conditions d'essai .....	81
10.1.3	Procédure d'essai .....	81
10.1.4	Critères d'acceptation .....	81
10.2	Transition traction-freinage .....	81
10.2.1	Objectif de l'essai .....	81
10.2.2	Conditions d'essai .....	81
10.2.3	Procédure d'essai .....	82
10.2.4	Critères d'acceptation .....	82
11	Variation de la tension d'alimentation .....	82
11.1	Objectif de l'essai .....	82
11.2	Conditions d'essai .....	82
11.3	Procédure d'essai .....	84
11.4	Critères d'acceptation .....	84
12	Essai des systèmes de protection .....	84
12.1	Généralités .....	84
12.2	Essai de variation brusque de tension .....	84
12.2.1	Objectif de l'essai .....	84
12.2.2	Conditions d'essai .....	84
12.2.3	Procédure d'essai .....	85
12.2.4	Critères d'acceptation .....	86
12.3	Interruption de la tension d'alimentation de traction .....	86
12.3.1	Objectif de l'essai .....	86
12.3.2	Conditions d'essai .....	86
12.3.3	Procédure d'essai .....	86
12.3.4	Critères d'acceptation .....	86

12.4	Perte de contact de la tension d'alimentation de traction.....	87
12.4.1	Objectif de l'essai .....	87
12.4.2	Conditions d'essai .....	87
12.4.3	Procédure d'essai.....	87
12.4.4	Critères d'acceptation .....	88
12.5	Perte brusque de la capacité de récupération .....	88
12.5.1	Objectif de l'essai .....	88
12.5.2	Conditions d'essai .....	88
12.5.3	Procédure d'essai.....	88
12.5.4	Critères d'acceptation .....	88
12.6	Arrêt de l'onduleur de traction .....	89
12.6.1	Objectif de l'essai .....	89
12.6.2	Conditions d'essai .....	89
12.6.3	Procédure d'essai.....	89
12.6.4	Critères d'acceptation .....	89
12.7	Fonctions de calcul de la température.....	89
12.7.1	Généralités .....	89
12.7.2	Objectif de l'essai .....	89
12.7.3	Conditions d'essai .....	89
12.7.4	Procédure d'essai.....	89
12.7.5	Critères d'acceptation .....	89
12.8	Protection contre les surintensités et la surtension .....	90
12.9	Interruption de l'alimentation de la batterie de contrôle-commande .....	90
12.9.1	Objectif de l'essai .....	90
12.9.2	Conditions d'essai .....	90
12.9.3	Procédure d'essai.....	90
12.9.4	Critères d'acceptation .....	90
13	Essai de gestion des défauts .....	90
13.1	Généralités .....	90
13.2	Perte de la fonction de détection.....	91
13.3	Pertes des signaux de commande et de retour.....	91
13.4	Défaut des systèmes de refroidissement.....	91
13.5	Défauts de terre et de court-circuit.....	91
Annexe A (normative) Liste des essais combinés.....		92
Annexe B (informative) Liste des articles faisant l'objet d'accords entre l'exploitant et le constructeur.....		93
Annexe C (normative) Éléments et conditions d'essai spéciaux pour moteurs à courant continu.....		94
C.1	Généralités .....	94
C.2	Architecture du banc d'essai .....	94
C.2.1	Montage d'essai .....	94
C.2.2	Système de charge .....	95
C.3	Essai de commutation.....	95
Bibliographie.....		97
Figure 1 – Présentation de l'architecture du système de traction.....		55
Figure 2 – Exemple de relation entre le “système de traction en essai” et le “système de traction” .....		56

Figure 3 – Système de traction – relation entre l’exploitant, les fournisseurs et le constructeur.....	58
Figure 4 – Exemple d’évolution du ou des graphe(s) de température sur profil d’itinéraire.....	61
Figure 5 – Exemple d’architecture de banc d’essai avec système de charge à vitesse réglable .....	63
Figure 6 – Exemple d’architecture de banc d’essai avec méthode dos à dos.....	64
Figure 7 – Exemples de simulation des charges auxiliaires et de l’alimentation électrique des charges de traction .....	65
Figure 8 – Exemple de mesurage utilisant la méthode par sommation des pertes .....	67
Figure 9 – Exemple de mesurage utilisant la méthode par comparaison de puissance .....	68
Figure 10 – Exemple de mesurage utilisant la méthode par comparaison de courant .....	69
Figure 11 – Exemple de mesurage utilisant la méthode dos à dos .....	69
Figure 12 – Caractéristiques de couple d’un système de traction .....	72
Figure 13 – Effet de l’écart de diamètre des roues sur la caractéristique de couple de moteur asynchrone .....	79
Figure 14 – Conditions d’essai pour transition traction-freinage .....	82
Figure 15 – Conditions d’essai dans la plage de tensions du système de traction .....	83
Figure 16 – Conditions d’essai pour la variation de la tension .....	83
Figure 17 – Variation brusque de tension avec tension d’alimentation en courant continu.....	85
Figure 18 – Variation brusque de tension avec tension d’alimentation en courant alternatif .....	85
Figure 19 – Exemple de méthode de génération d’une variation brusque de tension .....	86
Figure 20 – Exemple de méthode de simulation de la perte de contact de la tension d’alimentation de traction.....	87
Figure 21 – Exemple de méthode de génération de la perte de la capacité de récupération .....	88
Figure C.1 – Exemple de configuration de freinage pour un système de traction en essai avec moteur à courant continu à excitation séparée.....	94
Figure C.2 – Disposition du banc d’essai pour l’essai dos à dos du système de traction en essai avec moteur à courant continu .....	95
Tableau A.1 – Liste des essais combinés.....	92
Tableau B.1 – Liste des paragraphes comprenant des accords entre l’exploitant et le constructeur.....	93

## COMMISSION ÉLECTROTECHNIQUE INTERNATIONALE

### **APPLICATIONS FERROVIAIRES – MATÉRIEL ROULANT – MÉTHODE D'ESSAIS COMBINÉS POUR SYSTÈMES DE TRACTION**

#### AVANT-PROPOS

- 1) La Commission Electrotechnique Internationale (IEC) est une organisation mondiale de normalisation composée de l'ensemble des comités électrotechniques nationaux (Comités nationaux de l'IEC). L'IEC a pour objet de favoriser la coopération internationale pour toutes les questions de normalisation dans les domaines de l'électricité et de l'électronique. A cet effet, l'IEC – entre autres activités – publie des Normes internationales, des Spécifications techniques, des Rapports techniques, des Spécifications accessibles au public (PAS) et des Guides (ci-après dénommés "Publication(s) de l'IEC"). Leur élaboration est confiée à des comités d'études, aux travaux desquels tout Comité national intéressé par le sujet traité peut participer. Les organisations internationales, gouvernementales et non gouvernementales, en liaison avec l'IEC, participent également aux travaux. L'IEC collabore étroitement avec l'Organisation Internationale de Normalisation (ISO), selon des conditions fixées par accord entre les deux organisations.
- 2) Les décisions ou accords officiels de l'IEC concernant les questions techniques représentent, dans la mesure du possible, un accord international sur les sujets étudiés, étant donné que les Comités nationaux de l'IEC intéressés sont représentés dans chaque comité d'études.
- 3) Les Publications de l'IEC se présentent sous la forme de recommandations internationales et sont agréées comme telles par les Comités nationaux de l'IEC. Tous les efforts raisonnables sont entrepris afin que l'IEC s'assure de l'exactitude du contenu technique de ses publications; l'IEC ne peut pas être tenue responsable de l'éventuelle mauvaise utilisation ou interprétation qui en est faite par un quelconque utilisateur final.
- 4) Dans le but d'encourager l'uniformité internationale, les Comités nationaux de l'IEC s'engagent, dans toute la mesure possible, à appliquer de façon transparente les Publications de l'IEC dans leurs publications nationales et régionales. Toutes divergences entre toutes Publications de l'IEC et toutes publications nationales ou régionales correspondantes doivent être indiquées en termes clairs dans ces dernières.
- 5) L'IEC elle-même ne fournit aucune attestation de conformité. Des organismes de certification indépendants fournissent des services d'évaluation de conformité et, dans certains secteurs, accèdent aux marques de conformité de l'IEC. L'IEC n'est responsable d'aucun des services effectués par les organismes de certification indépendants.
- 6) Tous les utilisateurs doivent s'assurer qu'ils sont en possession de la dernière édition de cette publication.
- 7) Aucune responsabilité ne doit être imputée à l'IEC, à ses administrateurs, employés, auxiliaires ou mandataires, y compris ses experts particuliers et les membres de ses comités d'études et des Comités nationaux de l'IEC, pour tout préjudice causé en cas de dommages corporels et matériels, ou de tout autre dommage de quelque nature que ce soit, directe ou indirecte, ou pour supporter les coûts (y compris les frais de justice) et les dépenses découlant de la publication ou de l'utilisation de cette Publication de l'IEC ou de toute autre Publication de l'IEC, ou au crédit qui lui est accordé.
- 8) L'attention est attirée sur les références normatives citées dans cette publication. L'utilisation de publications référencées est obligatoire pour une application correcte de la présente publication.
- 9) L'attention est attirée sur le fait que certains des éléments de la présente Publication de l'IEC peuvent faire l'objet de droits de brevet. L'IEC ne saurait être tenue pour responsable de ne pas avoir identifié de tels droits de brevets et de ne pas avoir signalé leur existence.

La Norme internationale IEC 61377 a été établie par le comité d'études 9 de l'IEC: Matériels et systèmes électriques ferroviaires.

Cette édition annule et remplace l'IEC 61377-1 (2006), l'IEC 61377-2 (2002) et l'IEC 61377-3 (2002). Elle constitue une révision technique.

Cette édition inclut les modifications techniques majeures suivantes par rapport aux éditions précédentes: elle comprend les mises à jour nécessaires pour répondre à l'état actuel de la technique, ainsi que pour clarifier et générer une édition tenant compte de tous les types de moteurs faisant partie du système de traction.

Le texte de cette norme est issu des documents suivants:

FDIS	Rapport de vote
9/2078/FDIS	9/2113/RVD

Le rapport de vote indiqué dans le tableau ci-dessus donne toute information sur le vote ayant abouti à l'approbation de cette norme.

Cette publication a été rédigée selon les Directives ISO/IEC, Partie 2.

Le comité a décidé que le contenu de cette publication ne sera pas modifié avant la date de stabilité indiquée sur le site web de l'IEC sous «<http://webstore.iec.ch>» dans les données relatives à la publication recherchée. À cette date, la publication sera

- reconduite;
- supprimée;
- remplacée par une édition révisée, ou
- amendée.



## **APPLICATIONS FERROVIAIRES – MATÉRIEL ROULANT – MÉTHODE D’ESSAIS COMBINÉS POUR SYSTÈMES DE TRACTION**

### **1 Domaine d’application**

La présente Norme internationale s’applique au système de traction constitué de (le cas échéant) moteur(s) de traction, convertisseur(s), équipement de régulation de traction y compris logiciel, transformateur, filtres d’entrée, résistances de freinage, disjoncteur principal, équipement de refroidissement, transducteurs, contacteurs, etc.

La Figure 1 constitue seulement une présentation, elle n’est pas représentative de toutes les architectures de système de traction.

L’appareil de prise de courant, les systèmes de freinage mécanique et les engrenages ne relèvent pas du domaine d’application de la présente Norme.

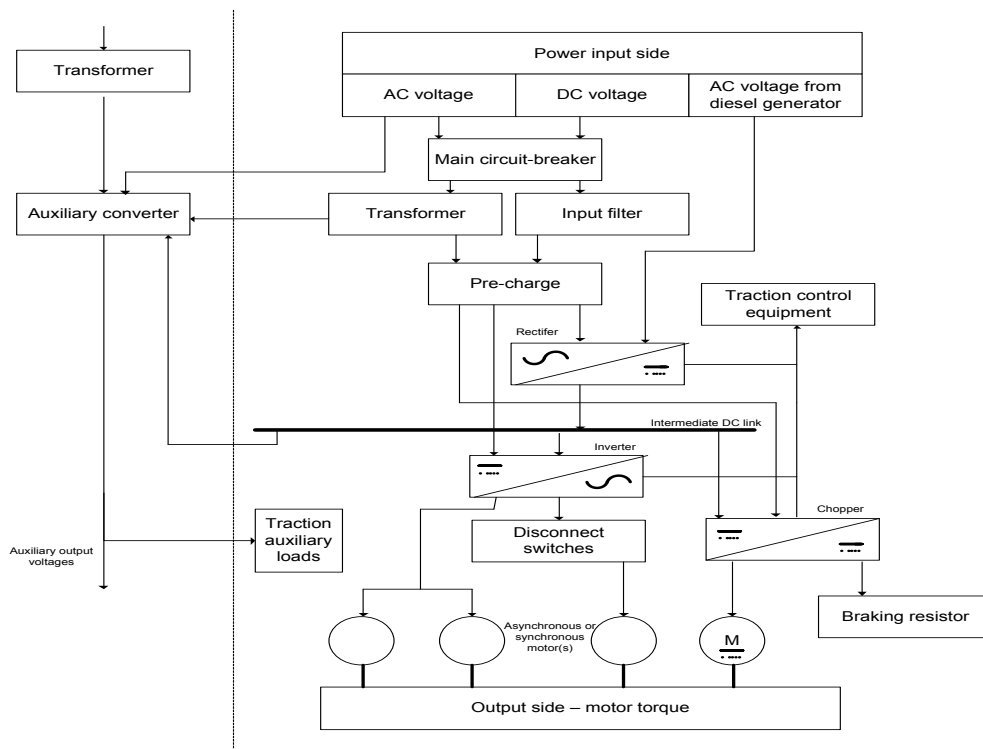
Les types de moteurs applicables dans la présente Norme sont les moteurs asynchrones, les moteurs synchrones y compris les moteurs à aimant permanent (ou PMM: permanent magnet motor), ou les moteurs à courant continu.

Le ou les convertisseurs auxiliaires relèvent du domaine d’application lorsqu’ils sont enfermés dans le convertisseur de traction. Sinon, lorsque le système de traction alimente un système auxiliaire à l’extérieur du convertisseur de traction, le système auxiliaire peut être remplacé par une charge équivalente.

NOTE 1 Le système de stockage d’énergie n’est pas pris en compte dans la présente Norme dans la mesure où il n’existe aucune norme d’essai de type spécifique applicable à ce système.

NOTE 2 La validation des charges auxiliaires n’est pas traitée dans la présente Norme.

NOTE 3 L’engrenage peut faire partie du montage d’essai, mais il ne fait pas partie du système de traction.



IEC

Anglais	Français
Transformer	Transformateur
Power input side	Côté puissance d'entrée
DC voltage	Tension à courant continu
AC voltage	Tension à courant alternatif
AC voltage from diesel generator	Tension à courant alternatif de la génératrice diesel
Main circuit-breaker	Disjoncteur principal
Auxiliary converter	Convertisseur auxiliaire
Input filter	Filtre d'entrée
Pre-charge	Précharge
Traction control equipment	Équipement de régulation de traction
Rectifier	Redresseur
Intermediate DC link	Liaison à courant continu intermédiaire
Inverter	Onduleur
Chopper	Hacheur
Auxiliary output voltages	Tensions de sortie auxiliaire
Traction auxiliary loads	Charges auxiliaires de traction
Disconnect switches	Sectionneurs
Braking resistor	Résistance de freinage
Asynchronous or synchronous motor(s)	Moteur(s) asynchrone(s) ou synchrone(s)
Output side – motor torque	Couple moteur – côté sortie

Figure 1 – Présentation de l'architecture du système de traction

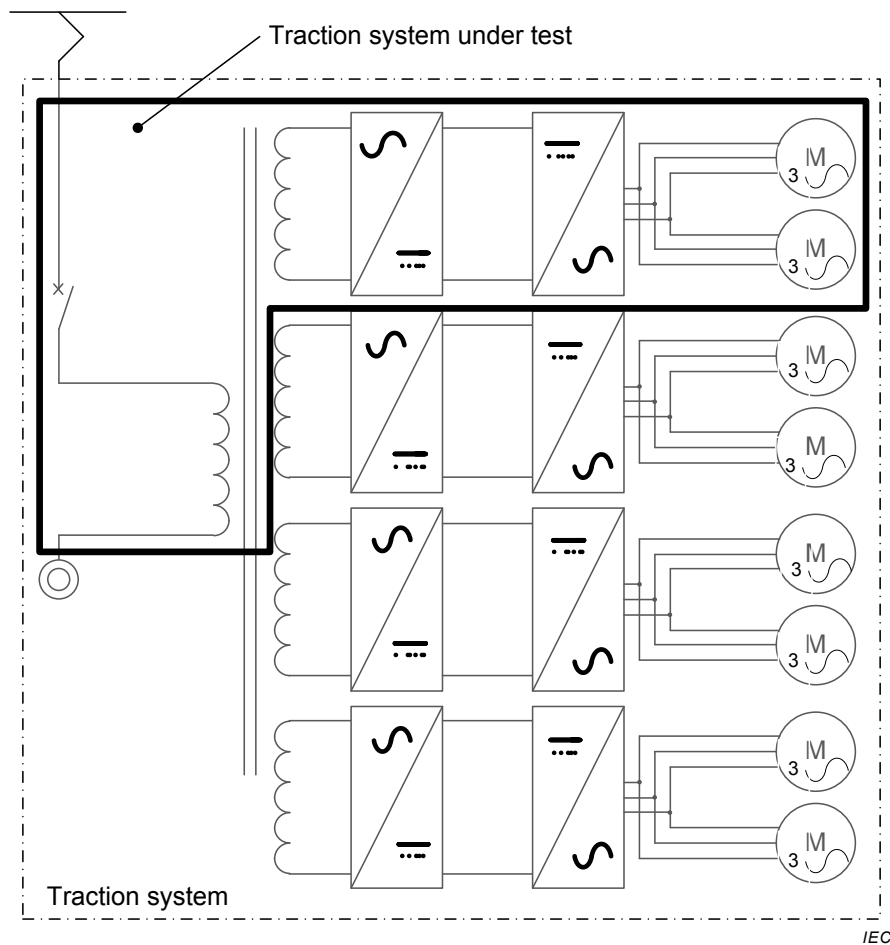
La présente Norme a pour objet de spécifier l'essai de type du système de traction, comprenant principalement:

- l’essai des caractéristiques de performances;
- les méthodes de vérification de ces caractéristiques de performances par des essais.

La présente Norme ne spécifie pas l’essai de type applicable à chaque composant individuel.

Le système de traction en essai comprend au moins une ligne de conversion de traction complète (au moins un convertisseur de traction et ses charges associées, un transformateur en cas d’alimentation en courant alternatif ou un filtre d’entrée en cas d’alimentation en courant continu). La représentativité du système de traction en essai en fonction du système de traction réel fait l’objet d’un accord entre l’exploitant et le constructeur.

La Figure 2 donne un exemple de la relation entre le système de traction en essai et l’ensemble du système de traction.



Anglais	Français
Traction system under test	Système de traction en essai
Traction system	Système de traction

**Figure 2 – Exemple de relation entre le “système de traction en essai” et le “système de traction”**

Le système de traction en essai est équipé de composants qui sont représentatifs de la série de production.

Des écarts peuvent être admis par accord conclu entre l’exploitant et le constructeur, et sont justifiés du point de vue de l’effet prévu avant l’essai. L’utilisation de composants ou parties analogues est admise si cela n’a pas d’effet significatif prévu sur le résultat d’essai.

## 2 Références normatives

Les documents suivants sont cités en référence de manière normative, en intégralité ou en partie, dans le présent document et sont indispensables pour son application. Pour les références datées, seule l'édition citée s'applique. Pour les références non datées, la dernière édition du document de référence s'applique (y compris les éventuels amendements).

IEC 60050 (toutes les parties): *Vocabulaire Electrotechnique International (VEI)* (disponible sous <http://www.electropedia.org>)

IEC 60349-1, *Traction électrique – Machines électriques tournantes des véhicules ferroviaires et routiers – Partie 1: Machines autres que les moteurs à courant alternatif alimentés par convertisseur électronique*

IEC 60349-2, *Traction électrique – Machines électriques tournantes des véhicules ferroviaires et routiers – Partie 2: Moteurs à courant alternatif alimentés par convertisseurs électroniques*

IEC TS 60349-3, *Traction électrique – Machines électriques tournantes des véhicules ferroviaires et routiers – Partie 3: Détermination des pertes totales des moteurs à courant alternatif alimentés par convertisseur par sommation des pertes élémentaires*

IEC 60349-4, *Traction électrique – Machines électriques tournantes des véhicules ferroviaires et routiers – Partie 4: Machines électriques synchrones à aimants permanents connectées à un convertisseur électronique*

IEC 60850, *Applications ferroviaires – Tensions d'alimentation des réseaux de traction*

IEC 61133, *Applications ferroviaires – Matériel roulant – Essais de matériel roulant après achèvement et avant mise en service*

IEC 61287-1, *Applications ferroviaires – Convertisseurs de puissance embarqués sur le matériel roulant – Partie 1: Caractéristiques et méthodes d'essais*

IEC 62313, *Applications ferroviaires – Alimentation électrique et matériel roulant – Critères techniques pour la coordination entre le système d'alimentation (sous-station) et le matériel roulant*