



INTERNATIONAL STANDARD

NORME INTERNATIONALE

**Low voltage surge protective devices –
Part 21: Surge protective devices connected to telecommunications and
signalling networks – Performance requirements and testing methods**

**Parafoudres basse tension –
Partie 21: Parafoudres connectés aux réseaux de signaux et de
télécommunications – Prescriptions de fonctionnement et méthodes d’essais**

INTERNATIONAL
ELECTROTECHNICAL
COMMISSION

COMMISSION
ELECTROTECHNIQUE
INTERNATIONALE

ICS 29.240; 29.240.10

ISBN 978-2-8322-0295-1

**Warning! Make sure that you obtained this publication from an authorized distributor.
Attention! Veuillez vous assurer que vous avez obtenu cette publication via un distributeur agréé.**

CONTENTS

FOREWORD.....	5
INTRODUCTION.....	7
1 General.....	8
1.1 Scope.....	8
1.2 SPD configurations.....	8
1.3 Use of this standard	10
2 Normative references	13
3 Definitions	14
4 Service and test conditions.....	18
4.1 Service conditions	18
4.1.1 Normal service conditions.....	18
4.1.2 Abnormal service conditions	18
4.2 Test temperature and humidity	18
4.3 SPD testing	19
4.4 Waveform tolerances.....	19
5 Requirements	19
5.1 General requirements.....	19
5.1.1 Identification and documentation	19
5.1.2 Marking	20
5.2 Electrical requirements	20
5.2.1 Voltage-limiting requirements	20
5.2.2 Current-limiting requirements	21
5.2.3 Transmission requirements.....	22
5.3 Mechanical requirements.....	23
5.3.1 Terminals and connectors.....	23
5.3.2 Mechanical strength (mounting).....	24
5.3.3 Resistance to ingress of solid objects and to harmful ingress of water	24
5.3.4 Protection against direct contact.....	24
5.3.5 Fire resistance.....	24
5.4 Environmental requirements	25
5.4.1 High temperature and humidity endurance.....	25
5.4.2 Environmental cycling with impulse surges	25
5.4.3 Environmental cycling with a.c. surges	25
6 Type test	26
6.1 General tests.....	26
6.1.1 Identification and documentation	26
6.1.2 Marking	26
6.2 Electrical tests.....	26
6.2.1 Voltage-limiting tests	26
6.2.2 Current-limiting tests	32
6.2.3 Transmission tests	35
6.3 Mechanical tests	37
6.3.1 Terminals and connectors.....	37
6.3.2 Mechanical strength (mounting).....	39
6.3.3 Resistance to ingress of solid objects and to harmful ingress of water	39

6.3.4	Protection against direct contact.....	40
6.3.5	Fire resistance.....	40
6.4	Environmental tests.....	41
6.4.1	High temperature and humidity endurance.....	41
6.4.2	Environmental cycling with impulse surges	41
6.4.3	Environmental cycling with a.c. surges	42
6.5	Acceptance tests.....	42
Annex A (informative) Devices with current-limiting components only		57
Annex B (Void)		58
Annex C (Void)		59
Annex D (informative) Measurement accuracy		60
Annex E (informative) Determination of let-through current (I_p)		61
Annex F (informative) Basic configurations for measuring U_p		64
Annex G (informative) Special resistibility in telecommunication systems.....		65
Bibliography.....		66
Figure 1 – SPD configurations		9
Figure 2 – Test circuits for impulse reset time.....		43
Figure 3 – Test circuits for a.c. durability and overstressed fault mode		44
Figure 4 – Test circuits for impulse durability and overstressed fault mode		45
Figure 5 – Test circuits for rated current, series resistance, response time, current reset time, maximum interrupting voltage and operating duty test		46
Figure 6 – Test circuits for a.c. durability		47
Figure 7 – Test circuits for impulse durability		48
Figure 8 – Test circuits for insertion loss.....		49
Figure 9 – Test circuit for return loss		49
Figure 10 – Test circuits for longitudinal balance		50
Figure 11 – Test circuit for bit error ratio test		51
Figure 12 – Test circuit for near-end crosstalk		52
Figure 13 – Test circuits for high temperature/humidity endurance and environmental cycling.....		53
Figure 14 – Environmental cycling schedule A with RH ≥ 90 %		54
Figure 15 – Environmental cycling B		55
Figure 16 – Examples of multi-terminal SPDs with a common current path		56
Figure A.1 – Configurations of devices with current-limiting component(s) only.....		57
Figure E.1 – Determination of differential mode let-through current.....		61
Figure E.2 – Determination of common mode let-through current.....		62
Figure E.3 – Determination of differential mode let-through current.....		62
Figure E.4 – Determination of differential mode let-through current.....		62
Figure E.5 – Determination of common mode max. let-through current		62
Figure E.6 – Determination of common mode max. let-through current at multi-terminal SPDs		63
Figure F.1 – Differential Mode U_p measurement of Figure 1 SPDs		64
Figure F.2 – ITU-T test setup for SPD Common Mode U_p measurement to C terminal.....		64

Table 1 – General SPD requirements.....	11
Table 2 – Waveform tolerances.....	19
Table 3 – Voltage and current waveforms for impulse-limiting voltage and impulse durability	28
Table 4 – Source voltages and currents for impulse reset test	29
Table 5 – Preferred values of currents for a.c. durability test	30
Table 6 – Test currents for response time	33
Table 7 – Preferred values of current for operating duty tests	34
Table 8 – Preferred values of a.c. test currents.....	34
Table 9 – Preferred values of impulse current.....	35
Table 10 – Standard parameters for figure 8.....	36
Table 11 – Impedance values for longitudinal balance test.....	37
Table 12 – Test times for BER test	37
Table 13 – Connectable cross-sectional areas of copper conductors for screw-type terminals or screwless-type terminals	38
Table 14 – Pulling force (screwless terminals)	39
Table 15 – Preferred values of test-time duration for high temperature and humidity endurance.....	41
Table 16 – Preferred values of temperature and duration for environmental cycling tests.....	42

INTERNATIONAL ELECTROTECHNICAL COMMISSION

LOW VOLTAGE SURGE PROTECTIVE DEVICES –

Part 21: Surge protective devices connected to telecommunications and signalling networks – Performance requirements and testing methods

FOREWORD

- 1) The International Electrotechnical Commission (IEC) is a worldwide organization for standardization comprising all national electrotechnical committees (IEC National Committees). The object of IEC is to promote international co-operation on all questions concerning standardization in the electrical and electronic fields. To this end and in addition to other activities, IEC publishes International Standards, Technical Specifications, Technical Reports, Publicly Available Specifications (PAS) and Guides (hereafter referred to as "IEC Publication(s)"). Their preparation is entrusted to technical committees; any IEC National Committee interested in the subject dealt with may participate in this preparatory work. International, governmental and non-governmental organizations liaising with the IEC also participate in this preparation. IEC collaborates closely with the International Organization for Standardization (ISO) in accordance with conditions determined by agreement between the two organizations.
- 2) The formal decisions or agreements of IEC on technical matters express, as nearly as possible, an international consensus of opinion on the relevant subjects since each technical committee has representation from all interested IEC National Committees.
- 3) IEC Publications have the form of recommendations for international use and are accepted by IEC National Committees in that sense. While all reasonable efforts are made to ensure that the technical content of IEC Publications is accurate, IEC cannot be held responsible for the way in which they are used or for any misinterpretation by any end user.
- 4) In order to promote international uniformity, IEC National Committees undertake to apply IEC Publications transparently to the maximum extent possible in their national and regional publications. Any divergence between any IEC Publication and the corresponding national or regional publication shall be clearly indicated in the latter.
- 5) IEC itself does not provide any attestation of conformity. Independent certification bodies provide conformity assessment services and, in some areas, access to IEC marks of conformity. IEC is not responsible for any services carried out by independent certification bodies.
- 6) All users should ensure that they have the latest edition of this publication.
- 7) No liability shall attach to IEC or its directors, employees, servants or agents including individual experts and members of its technical committees and IEC National Committees for any personal injury, property damage or other damage of any nature whatsoever, whether direct or indirect, or for costs (including legal fees) and expenses arising out of the publication, use of, or reliance upon, this IEC Publication or any other IEC Publications.
- 8) Attention is drawn to the Normative references cited in this publication. Use of the referenced publications is indispensable for the correct application of this publication.
- 9) Attention is drawn to the possibility that some of the elements of this IEC Publication may be the subject of patent rights. IEC shall not be held responsible for identifying any or all such patent rights.

International Standard IEC 61643-21 has been prepared by subcommittee 37A: Low-voltage surge protective devices, of IEC technical committee 37: Surge arresters.

This consolidated version of IEC 61643-21 consists of the first edition (2000) [documents 37A/101/FDIS and 37A/104/RVD], its amendment 1 (2008) [documents 37A/200/FDIS and 37A/201/RVD], its amendment 2 (2012) [documents 37A/236/FDIS and 37A/237/RVD] and its corrigendum of March 2001.

The technical content is therefore identical to the base edition and its amendments and has been prepared for user convenience.

It bears the edition number 1.2.

A vertical line in the margin shows where the base publication has been modified by amendments 1 and 2.

The committee has decided that the contents of the base publication and its amendments will remain unchanged until the stability date indicated on the IEC web site under "<http://webstore.iec.ch>" in the data related to the specific publication. At this date, the publication will be

- reconfirmed,
- withdrawn,
- replaced by a revised edition, or
- amended.

INTRODUCTION

The purpose of this International Standard is to identify the requirements for Surge Protective Devices (SPDs) used in protecting telecommunication and signalling systems, for example, low-voltage data, voice, and alarm circuits. All of these systems may be exposed to the effects of lightning and power line faults, either through direct contact or induction. These effects may subject the system to overvoltages or overcurrents or both, whose levels are sufficiently high to harm the system. SPDs are intended to provide protection against overvoltages and overcurrents caused by lightning and power line faults. This standard describes tests and requirements which establish methods for testing SPDs and determining their performance.

The SPDs addressed in this International Standard may contain overvoltage protection components only, or a combination of overvoltage and overcurrent protection components. Protection devices containing overcurrent protection components only are not within the coverage of this standard. However, devices with only overcurrent protection components are covered in annex A.

An SPD may comprise several overvoltage and overcurrent protection components. All SPDs are tested on a "black box" basis, i.e., the number of terminals of the SPD determines the testing procedure, not the number of components in the SPD. The SPD configurations are described in 1.2. In the case of multiple line SPDs, each line may be tested independently of the others, but there may also be a need to test all lines simultaneously.

This standard covers a wide range of testing conditions and requirements; the use of some of these is at the discretion of the user. How the requirements of this standard relate to the different types of SPD is described in 1.3. Whilst this is a performance standard and certain capabilities are demanded of the SPDs, failure rates and their interpretation are left to the user. Selection and application principles are covered in IEC 61643-22.

If the SPD is known to be a single component device, it has to meet the requirements of the relevant standard as well as those in this standard.

LOW VOLTAGE SURGE PROTECTIVE DEVICES –

Part 21: Surge protective devices connected to telecommunications and signalling networks – Performance requirements and testing methods

1 General

1.1 Scope

This International Standard is applicable to devices for surge protection of telecommunications and signalling networks against indirect and direct effects of lightning or other transient overvoltages.

The purpose of these SPDs is to protect modern electronic equipment connected to telecommunications and signalling networks with nominal system voltages up to 1 000 V (r.m.s.) a.c. and 1 500 V d.c.

1.2 SPD configurations

The SPD configurations described in this standard are shown in figure 1. Each SPD configuration is composed of one or more voltage-limiting components and may include current-limiting components.

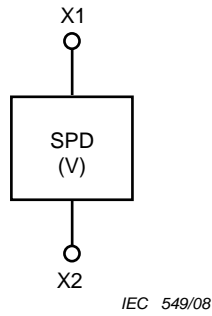


Figure 1a – Two-terminal SPD

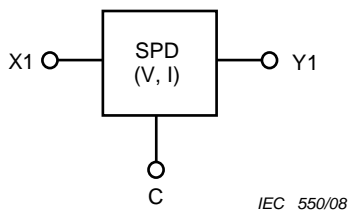


Figure 1b – Three-terminal SPD

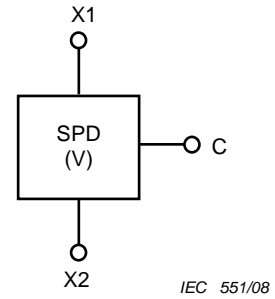


Figure 1c – Three-terminal SPD

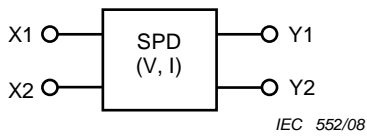


Figure 1d – Four-terminal SPD

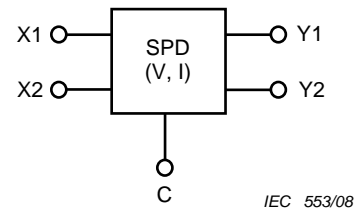


Figure 1e – Five-terminal SPD

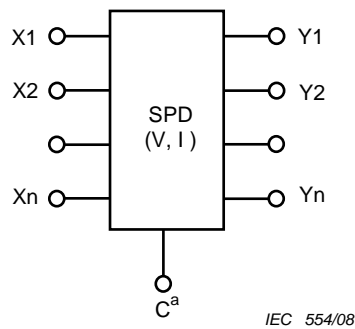


Figure 1f – Multi-terminal SPD

^a The common terminal C may not be provided.

Key

- V voltage-limiting component
- V, I voltage-limiting components or a combination of voltage-limiting and current-limiting components
- X1, X2...Xn line terminals
- Y1, Y2...Yn protected line terminals
- C common terminal

Figure 1 – SPD configurations

1.3 Use of this standard

This standard considers two basic types of SPD.

The first type of SPD contains at least one voltage-limiting component and no current-limiting component(s) in a housing. All the SPD configurations of figure 1 can be of this type. These SPDs shall satisfy the requirements of 5.1, 5.2.1 and 5.3 (see table 1). The SPDs shown in figures 1b, 1d, 1e and 1f may contain a linear component between the line terminal and the corresponding protected line terminal. These SPDs shall also satisfy the applicable requirements of 5.2.2.

The second type of SPD contains both voltage-limiting and current-limiting components in a housing. SPD configurations shown in figures 1b, 1d, 1e, and 1f are applicable for SPDs with both voltage-limiting and current-limiting components. This type of SPD shall satisfy the requirements of 5.1, 5.2.1, 5.2.2 and 5.3 (see table 1). Configurations of protective devices having only current-limiting components are covered in annex A.

SPDs may need to satisfy additional requirements depending on the application. The additional requirements are described in 5.2.3 and 5.4 (see table 1).

Subclause 5.2.3 provides transmission tests that SPDs may need to conform to, depending on their communication and signalling application. Selection of the applicable transmission tests from 5.2.3 shall be made, based on the intended application of the SPDs. Table 1 provides general guidance on how to select the applicable transmission tests.

Subclause 5.4 provides the environmental requirements when the SPDs are intended only for use in uncontrolled environments as described in 4.1. SPDs shall satisfy these requirements after an agreement between the user and the manufacturer. Table 1 provides examples of what requirements different types of SPD shall satisfy.

Table 1 – General SPD requirements

Test series ^d	Requirement – Test	Sub-clause	Type of SPD					
			SPD with only voltage-limiting function	SPD with both voltage-limiting and current-limiting functions	SPD with voltage-limiting function and linear component between its terminals	SPD having both voltage-limiting and current-limiting functions with enhanced transmission capabilities	SPD having only voltage-limiting function but intended for use in extended range environment	SPD having both voltage-limiting and current-limiting functions but intended for use in extended range environment
1	General test	6.1						
	Identification and documentation	6.1.1	A	A	A	A	A	A
	Marking	6.1.2	A	A	A	A	A	A
	Transmission tests	6.2.3						
	Capacitance	6.2.3.1	A	O	O	O	A	O
	Insertion loss	6.2.3.2	O	A	A	A	O	A
	Return loss	6.2.3.3	O	O	O	A	O	O
	Longitudinal balance	6.2.3.4	O	O	O	A	O	O
	Bit Error Ratio (BER)	6.2.3.5	O	O	O	O	O	O
	Near-end crosstalk (NEXT)	6.2.3.6	O	O	O	A	O	O
	Mechanical tests	6.3						
	Terminals and connectors	6.3.1	A	A	A	A	A	A
	General testing procedure	6.3.1.1	A	A	A	A	A	A
	Terminals with screws	6.3.1.2	A	A	A	A	A	A
	Screwless terminals	6.3.1.3	A	A	A	A	A	A
	Insulating pierced connections	6.3.1.4	A	A	A	A	A	A
	Pull-out-test on SPD terminals designed for single-core conductors	6.3.1.4.1	A	A	A	A	A	A
	Pull-out-test on SPD terminals designed for multi-core cables and cords	6.3.1.4.2	A	A	A	A	A	A
	Mechanical strength (mounting)	6.3.2	A	A	A	A	A	A

Table 1 (continued)

Test series ^d	Requirement – Test	Sub-clause	Type of SPD					
			SPD with only voltage-limiting function	SPD with both voltage-limiting and current-limiting functions	SPD with voltage-limiting function and linear component between its terminals	SPD having both voltage-limiting and current-limiting functions with enhanced transmission capabilities	SPD having only voltage-limiting function but intended for use in extended range environment	SPD having both voltage-limiting and current-limiting functions but intended for use in extended range environment
	Resistance to ingress of solid objects and to harmful ingress of water	6.3.3	A	A	A	A	A	A
	Protection against direct contact	6.3.4	A	A	A	A	A	A
	Fire resistance	6.3.5	A	A	A	A	A	A
	Environmental tests	6.4						
	High temperature and humidity endurance	6.4.1	O	O	O	O	A	A
	Environmental cycling with impulse surges	6.4.2	O	O	O	O	A	A
	Environmental cycling with AC surges	6.4.3	O	O	O	O	A	A
2	Voltage limiting tests	6.2.1						
	Maximum continuous operating voltage (U _c)	6.2.1.1	A	A	A	A	A	A
	Insulation resistance	6.2.1.2	A	A	A	A	A	A
	Impulse durability for voltage limiting function ^a	6.2.1.6	A	A	A	A	A	A
	Impulse-limiting voltage ^b	6.2.1.3	A	A	A	A	A	A
	Impulse reset switching types	6.2.1.4	A	A	A	A	A	A
	AC durability for voltage limiting function ^a	6.2.1.5	O	O	O	O	O	O
	Blind spot test multi stage SPD	6.2.1.8	A	A	A	A	A	A
	Overstressed fault mode	6.2.1.7	O	O	O	O	O	O
3	Current limiting tests	6.2.2						
	Rated current	6.2.2.1	A ^e	A	A	A	A ^e	A
	Series resistance	6.2.2.2	N.A.	A	A	A	N.A.	A
	Current response time	6.2.2.3	N.A.	A	N.A.	A ^c	N.A.	A ^c
	Current reset time	6.2.2.4	N.A.	A	N.A.	A ^c	N.A.	A ^c
	Maximum interrupting voltage	6.2.2.5	N.A.	A	N.A.	A ^c	N.A.	A ^c
	Operating duty test	6.2.2.6	N.A.	A	N.A.	A ^c	N.A.	A ^c
	AC durability for current limiting function ^a	6.2.2.7	N.A.	A	N.A.	A ^c	N.A.	A ^c
	Impulse durability for current limiting function ^a	6.2.2.8	N.A.	A	N.A.	A ^c	N.A.	A ^c
4	Acceptance tests	6.5	O	O	O	O	O	O

Table 1 (continued)

A	Applicable.
N.A.	Not applicable.
O	Optional.
^a	For each category of test impulse a new set of samples can be used.
^b	It is admissible to measure the impulse-limiting voltage 6.2.1.3 while testing impulse durability 6.2.1.6.
^c	Test not applicable if there is a linear component between its terminals.
^d	Each test series is carried out on three samples.
^e	Applicable only for 4/5 terminal SPD (see fig. 1d and 1e)

2 Normative references

The following referenced documents are indispensable for the application of this document. For dated references, only the edition cited applies. For undated references, the latest edition of the referenced document (including any amendments) applies.

IEC 60050(702):1992, *International Electrotechnical Vocabulary – Chapter 702: Oscillations, signals and related devices*

IEC 60050(726):1982, *International Electrotechnical Vocabulary – Chapter 726: Transmission lines and waveguides*

IEC 60060-1:1989, *High-voltage test techniques – Part 1: General definitions and test requirements*

IEC 60068-2-30:1980, *Environmental testing – Part 2: Tests – Test Db and guidance: Damp heat, cyclic (12 + 12-hour cycle)*

IEC 60529, *Degrees of protection provided by enclosures (IP code)*

IEC 60695-2-1/1:1994, *Fire hazard testing – Part 2: Test methods – Section 1/sheet 1: Glow-wire end-product test and guidance*

IEC 60950:1999, *Safety of information technology equipment*

IEC 60999-1, *Connecting devices – Electrical copper conductors – Safety requirements for screw-type and screwless-type clamping units – Part 1: General requirements and particular requirements for clamping units for conductors from 0,2 mm² up to 35 mm² (included)*

IEC 61000-4-5, *Electromagnetic compatibility (EMC) – Part 4: Testing and measurement techniques – Section 5 – Surge immunity test*

IEC 61083-1, *Digital recorders for measurements in high voltage impulse tests – Part 1: Requirements for digital recorders*

IEC 61180-1:1992, *High-voltage test techniques for low-voltage equipment – Part 1: Definitions, test and procedure requirements*

IEC 61643-1, *Surge protective devices connected to low-voltage power distribution systems – Part 1: Performance requirements and testing methods*

IEC 61643-11:2011, *Surge protective devices connected to low-voltage power distribution systems – Part 1: Performance requirements and testing methods*

IEC 61643-22:2004, *Low-voltage surge protective devices – Part 22: Surge protection devices connected to telecommunications and signalling networks – Selection and application principles*

ITU-T Recommendation K.44: 2011, *Resistibility tests for telecommunication equipment exposed to overvoltages and overcurrents – Basic Recommendation*

ITU-T Recommendation K.55:2002, *Overvoltage and overcurrent requirements for insulation displacement connectors (IDC) terminations*

ITU-T Recommendation K.82, *Characteristics and ratings of solid-state, self-restoring overcurrent protectors for the protection of telecommunications installations*

ITU-T Recommendation O.9:1999, *Measuring arrangements to assess the degree of unbalance about earth*

SOMMAIRE

AVANT-PROPOS	71
INTRODUCTION	73
1 Généralités	74
1.1 Domaine d'application	74
1.2 Configuration des parafoudres	74
1.3 Utilisation de cette norme	76
2 Références normatives	79
3 Définitions	80
4 Conditions d'utilisation et d'essais	84
4.1 Conditions d'utilisation	84
4.1.1 Conditions normales	84
4.1.2 Conditions anormales	85
4.2 Conditions d'essais (température et humidité)	85
4.3 Conditions d'essai des parafoudres	85
4.4 Tolérances des formes d'ondes	86
5 Prescriptions	86
5.1 Prescriptions générales	86
5.1.1 Identification et documentation	86
5.1.2 Marquage	87
5.2 Prescriptions électriques	87
5.2.1 Prescription de limitation de tension	87
5.2.2 Prescriptions de limitation en courant	88
5.2.3 Prescriptions de transmission	89
5.3 Prescriptions mécaniques	90
5.3.1 Bornes et connecteurs	90
5.3.2 Contraintes mécaniques	91
5.3.3 Résistance à l'introduction de corps solides et d'eau	91
5.3.4 Protection contre les contacts directs	91
5.3.5 Résistance au feu	92
5.4 Prescriptions d'environnement	92
5.4.1 Hautes températures et résistance à l'humidité	92
5.4.2 Conditions d'ambiances cyclées avec impulsions	92
5.4.3 Conditions d'ambiance cyclées en courant alternatif	92
6 Essais de type	93
6.1 Essais généraux	93
6.1.1 Renseignements documentaires et identification	93
6.1.2 Marquage	93
6.2 Essais électriques	93
6.2.1 Essais de limitation de tension	93
6.2.2 Essais de limitation en courant	99
6.2.3 Essais de transmission	103
6.3 Essais mécaniques	105
6.3.1 Bornes et connecteurs	105
6.3.2 Contrainte mécanique (montage)	107
6.3.3 Résistance à l'introduction de corps solides et d'eau	107

6.3.4	Protection contre les contacts directs	107
6.3.5	Résistance au feu	108
6.4	Essais d'environnement	109
6.4.1	Hautes températures et résistance à l'humidité	109
6.4.2	Conditions d'ambiance cyclées avec impulsions transitoires	109
6.4.3	Conditions d'ambiance cyclées avec chocs en courant alternatif	110
6.5	Essais de réception	110
Annexe A (informative) Appareils n'ayant qu'une fonction de limitation en courant		125
Annexe B (<i>Vacant</i>)		126
Annexe C (<i>Vacant</i>)		127
Annexe D (informative) Exactitude de mesure		128
Annexe E (informative) Détermination du courant conventionnel de non-fonctionnement (I_p)		129
Annexe F (informative) Configuration usuelles pour la mesure de U_p		132
Annexe G (informative) Résistibilité spécifique dans les réseaux de télécommunication		133
Bibliographie		134
Figure 1 – Configurations des parafoudres		75
Figure 2 – Circuit d'essai pour le temps de réamorçage en impulsion		111
Figure 3 – Circuits d'essais pour l'endurance en courant alternatif et le mode de défaut par surcharge		112
Figure 4 – Circuit d'essai pour l'endurance aux impulsions et le mode de défaut par surcharge		113
Figure 5 – Circuit d'essai pour le courant assigné, résistance série, temps de réponse, temps de réamorçage en courant, tension de coupure maximale et essai de fonctionnement		114
Figure 6 – Circuits d'essai pour l'endurance en courant alternatif		115
Figure 7 – Circuit d'essai pour l'endurance en impulsionnel		116
Figure 8 – Circuit d'essai pour la perte d'insertion		117
Figure 9 – Circuit d'essai pour le facteur d'adaptation (en réflexion)		117
Figure 10 – Circuit d'essai pour l'affaiblissement de conversion longitudinal		118
Figure 11 – Circuit d'essai pour le taux d'erreur binaire		119
Figure 12 – Circuit d'essai pour la paradiaphonie		120
Figure 13 – Circuit d'essai pour l'endurance aux hautes températures/humidités et l'ambiance cyclée		121
Figure 14 – Cycles A pour les essais de conditions d'ambiance avec un RH \geq 90 %		122
Figure 15 – Cycle B pour les essais de conditions d'ambiance		123
Tableau 16 – Valeurs préférentielles des temps et températures pour les essais de conditions d'ambiance cyclées		110
Figure A.1 – Configurations des parafoudres n'ayant que des composants de limitation de courant		125
Figure E.1 – Détermination du courant conventionnel de non-fonctionnement en mode différentiel		129
Figure E.2 – Détermination du courant conventionnel de non-fonctionnement en mode commun		130
Figure E.3 – Détermination du courant conventionnel de non-fonctionnement en mode différentiel		130

Figure E.4 – Détermination du courant conventionnel de non-fonctionnement en mode différentiel	130
Figure E.5 – Détermination du courant conventionnel de non-fonctionnement maximal en mode commun	130
Figure E.6 – Détermination du courant conventionnel de non-fonctionnement maximal en mode commun avec des parafoudres multibornes.....	131
Figure F.1 – Mesure de U_P en mode symétrique des types de parafoudre de la Figure 1	132
Figure F.2 – Montage de test de ITU-T pour la mesure de U_P par rapport à C (mode asymétrique).....	132
Tableau 1 – Exigences générales des parafoudres	77
Tableau 2 – Tolérances pour les formes d'ondes A/B	86
Tableau 3 – Formes d'ondes de courant et de tension pour la tension de limitation impulsionnelle et pour l'endurance impulsionnelle.....	95
Tableau 4 – Sources de tension et de courant, pour les essais de réamorçage sur impulsion	96
Tableau 5 – Valeurs préférentielles du courant pour l'essai d'endurance en courant alternatif	97
Tableau 6 – Courants d'essai pour le temps de réponse	100
Tableau 7 – Valeurs préférentielles, pour le courant d'essai de fonctionnement	101
Tableau 8 – Valeurs préférentielles pour courants alternatifs	102
Tableau 9 – Valeurs préférentielles de courants impulsionnels	102
Tableau 10 – Paramètres normalisés pour la Figure 8	103
Tableau 11 – Valeurs d'impédances pour l'essai d'affaiblissement de conversion longitudinale	104
Tableau 12 – Durée pour l'essai de TEB.....	105
Tableau 13 – Sections connectables de conducteurs en cuivre, pour des bornes à vis ou sans vis.....	106
Tableau 14 – Forces de traction (bornes sans vis).....	106
Tableau 15 – Valeurs préférentielles de périodes pour l'essai de hautes températures et de résistance à l'humidité	109
Tableau 16 – Valeurs préférentielles des temps et températures pour les essais de conditions d'ambiance cyclées.....	110

COMMISSION ÉLECTROTECHNIQUE INTERNATIONALE

PARAFONDRES BASSE TENSION –

Partie 21: Parafoudres connectés aux réseaux de signaux et de télécommunications – Prescriptions de fonctionnement et méthodes d'essais

AVANT-PROPOS

- 1) La Commission Electrotechnique Internationale (CEI) est une organisation mondiale de normalisation composée de l'ensemble des comités électrotechniques nationaux (Comités nationaux de la CEI). La CEI a pour objet de favoriser la coopération internationale pour toutes les questions de normalisation dans les domaines de l'électricité et de l'électronique. A cet effet, la CEI – entre autres activités – publie des Normes internationales, des Spécifications techniques, des Rapports techniques, des Spécifications accessibles au public (PAS) et des Guides (ci-après dénommés "Publication(s) de la CEI"). Leur élaboration est confiée à des comités d'études, aux travaux desquels tout Comité national intéressé par le sujet traité peut participer. Les organisations internationales, gouvernementales et non gouvernementales, en liaison avec la CEI, participent également aux travaux. La CEI collabore étroitement avec l'Organisation Internationale de Normalisation (ISO), selon des conditions fixées par accord entre les deux organisations.
- 2) Les décisions ou accords officiels de la CEI concernant les questions techniques représentent, dans la mesure du possible, un accord international sur les sujets étudiés, étant donné que les Comités nationaux de la CEI intéressés sont représentés dans chaque comité d'études.
- 3) Les Publications de la CEI se présentent sous la forme de recommandations internationales et sont agréées comme telles par les Comités nationaux de la CEI. Tous les efforts raisonnables sont entrepris afin que la CEI s'assure de l'exactitude du contenu technique de ses publications; la CEI ne peut pas être tenue responsable de l'éventuelle mauvaise utilisation ou interprétation qui en est faite par un quelconque utilisateur final.
- 4) Dans le but d'encourager l'uniformité internationale, les Comités nationaux de la CEI s'engagent, dans toute la mesure possible, à appliquer de façon transparente les Publications de la CEI dans leurs publications nationales et régionales. Toutes divergences entre toutes Publications de la CEI et toutes publications nationales ou régionales correspondantes doivent être indiquées en termes clairs dans ces dernières.
- 5) La CEI elle-même ne fournit aucune attestation de conformité. Des organismes de certification indépendants fournissent des services d'évaluation de conformité et, dans certains secteurs, accèdent aux marques de conformité de la CEI. La CEI n'est responsable d'aucun des services effectués par les organismes de certification indépendants.
- 6) Tous les utilisateurs doivent s'assurer qu'ils sont en possession de la dernière édition de cette publication.
- 7) Aucune responsabilité ne doit être imputée à la CEI, à ses administrateurs, employés, auxiliaires ou mandataires, y compris ses experts particuliers et les membres de ses comités d'études et des Comités nationaux de la CEI, pour tout préjudice causé en cas de dommages corporels et matériels, ou de tout autre dommage de quelque nature que ce soit, directe ou indirecte, ou pour supporter les coûts (y compris les frais de justice) et les dépenses découlant de la publication ou de l'utilisation de cette Publication de la CEI ou de toute autre Publication de la CEI, ou au crédit qui lui est accordé.
- 8) L'attention est attirée sur les références normatives citées dans cette publication. L'utilisation de publications référencées est obligatoire pour une application correcte de la présente publication.
- 9) L'attention est attirée sur le fait que certains des éléments de la présente Publication de la CEI peuvent faire l'objet de droits de brevet. La CEI ne saurait être tenue pour responsable de ne pas avoir identifié de tels droits de brevets et de ne pas avoir signalé leur existence.

La Norme internationale CEI 61643-21 a été établie par le sous-comité 37A: Dispositifs de protection basse tension contre les surtensions, du comité d'études 37 de la CEI: Parafoudres.

Cette version consolidée de la CEI 61643-21 comprend la première édition (2000) [documents 37A/101/FDIS et 37A/104/RVD], son amendement 1 (2008) [documents 37A/200/FDIS et 37A/201/RVD], son amendement 2 (2012) [documents 37A/236/FDIS et 37A/237/RVD] et son corrigendum de mars 2001.

Le contenu technique de cette version consolidée est donc identique à celui de l'édition de base et à ses amendements; cette version a été préparée par commodité pour l'utilisateur.

Elle porte le numéro d'édition 1.2.

Une ligne verticale dans la marge indique où la publication de base a été modifiée par les amendements 1 et 2.

Le comité a décidé que le contenu de la publication de base et de ses amendements ne sera pas modifié avant la date de stabilité indiquée sur le site web de la CEI sous "http://webstore.iec.ch" dans les données relatives à la publication recherchée. A cette date, la publication sera

- reconduite,
- supprimée,
- remplacée par une édition révisée, ou
- amendée.

INTRODUCTION

La présente Norme internationale se propose de répertorier les exigences relatives aux dispositifs de protection contre les surtensions, appelés parafoudres et utilisés dans la protection des systèmes de télécommunications et de transmission de signaux, par exemple données, voix et circuits d'alarme en basse tension. Tous ces systèmes peuvent être exposés aux effets de la foudre et aux défauts des réseaux de distribution d'énergie électrique, soit par contact direct, soit par induction. Ces effets peuvent soumettre le système à des surtensions et/ou des surintensités, dont les niveaux sont suffisamment hauts pour l'endommager. Les parafoudres sont construits pour procurer une protection contre les surtensions et éventuellement les surintensités dues à la foudre et aux défauts des lignes de distribution d'énergie. Cette norme décrit les essais et les exigences définissant des méthodes pour tester les parafoudres et déterminer leurs performances.

Les parafoudres, concernés par cette norme internationale, peuvent comporter des composants de protection contre les surtensions seulement ou une combinaison de composants de protection contre les surtensions et contre les surintensités. Les protections, contenant seulement des composants contre les surintensités, ne sont pas concernées par la présente norme. Cependant, des dispositifs, n'ayant que des composants de protection contre les surintensités, sont couverts par l'annexe A.

Un parafoudre peut contenir plusieurs composants de protection contre les surtensions et contre les surintensités. Tous les parafoudres sont essayés, comme une «boîte noire», à savoir que c'est le nombre de bornes du parafoudre qui détermine la procédure d'essai et non pas le nombre de composants du parafoudre. Les configurations des parafoudres sont décrites en 1.2. Pour les parafoudres à lignes multiples, chaque ligne peut être essayée indépendamment des autres, mais il peut apparaître aussi le besoin d'essayer toutes les lignes simultanément.

Cette norme concerne une large gamme de conditions d'essais et d'exigences ; l'utilisation de certaines d'entre elles est à la discrétion de l'utilisateur. La façon d'utiliser cette norme en fonction des différents modèles de parafoudres est décrite en 1.3. Bien qu'il s'agisse d'une norme de performances et que certaines qualités soient exigées des parafoudres, les taux d'échec et leur interprétation sont du ressort de l'utilisateur. La sélection et les principes d'application sont traités dans la CEI 61643-22.

S'il est admis que le parafoudre n'a qu'un seul composant, il faut qu'il respecte les prescriptions de la norme correspondante ainsi que celles de la présente norme.

PARAFODRES BASSE TENSION –

Partie 21: Parafoudres connectés aux réseaux de signaux et de télécommunications – Prescriptions de fonctionnement et méthodes d'essais

1 Généralités

1.1 Domaine d'application

La présente Norme internationale est applicable aux dispositifs de protection (parafoudres) contre les effets directs et indirects de la foudre ou des autres surtensions transitoires, pour les réseaux de télécommunications et de transmission de signaux.

Ces parafoudres sont destinés à protéger les équipements électroniques modernes, connectés aux réseaux de télécommunications et de transmission de signaux, ayant une tension nominale de fonctionnement jusqu'à 1 000 V (efficace) en courant alternatif et 1 500 V en courant continu.

1.2 Configuration des parafoudres

Les configurations des parafoudres décrites dans cette norme sont représentées à la figure 1. Chaque configuration de parafoudre est composée d'un ou de plusieurs composants limiteurs de tension et peut inclure des composants limiteurs de courant.

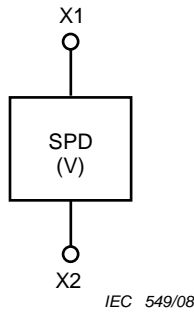


Figure 1a – Parafoudre à 2 bornes

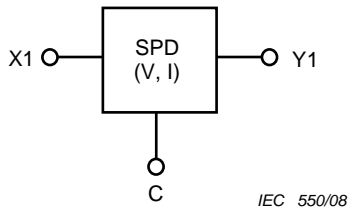


Figure 1b – Parafoudre à 3 bornes

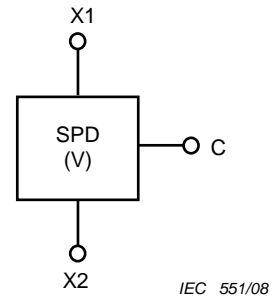


Figure 1c – Parafoudre à 3 bornes

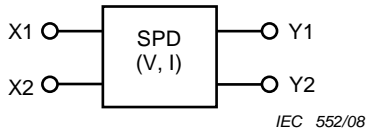


Figure 1d – Parafoudre à 4 bornes

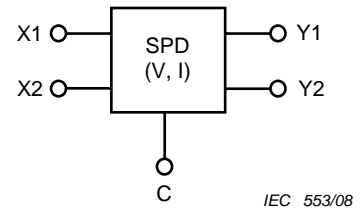
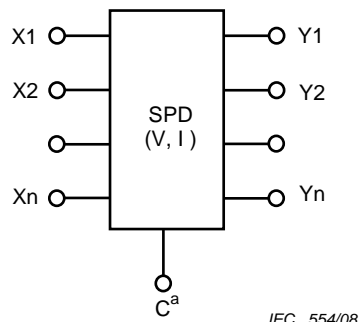


Figure 1e – Parafoudre à 5 bornes



^a La borne commune C peut ne pas exister.

Figure 1f – Parafoudre multibornes

Légende

- V composant limiteur de tension
- V, I composants limiteurs de tension ou combinaison de composants limiteurs de tension et limiteurs de courant
- X1, X2...Xn bornes de lignes
- Y1, Y2...Yn bornes de lignes protégées
- C borne commune

Figure 1 – Configurations des parafoudres

1.3 Utilisation de cette norme

Cette norme traite de 2 types fondamentaux de parafoudres.

Le premier type contient au moins un composant limiteur de tension et ne contient aucun composant limiteur de courant à l'intérieur du parafoudre. Toutes les configurations de parafoudres de la figure 1 lui sont applicables. Ce type de parafoudre doit satisfaire aux exigences de 5.1, 5.2.1 et 5.3 (voir tableau 1). Cependant, si un parafoudre contient un composant linéaire entre les bornes de lignes et les bornes de lignes protégées – comme aux figures 1b, 1d, 1e et 1f, il doit aussi satisfaire aux exigences applicables du 5.2.2.

Le deuxième type contient à la fois des composants limiteurs de tension et des composants limiteurs de courant à l'intérieur du parafoudre. Les configurations de parafoudres des figures 1b, 1d, 1e et 1f lui sont applicables. Ce type de parafoudre doit satisfaire au moins aux exigences de 5.1, 5.2.1, 5.2.2 et 5.3 (voir tableau 1). Les configurations de parafoudres ne contenant que des composants limiteurs de courant sont données à l'annexe A.

Il se peut que les parafoudres aient à satisfaire à d'autres exigences, selon leurs applications. Ces exigences supplémentaires sont décrites en 5.2.3 et en 5.4 (voir tableau 1).

Le Paragraphe 5.2.3 traite de quelques essais de transmission auxquels les parafoudres peuvent avoir à se conformer, selon leurs applications en télécommunications ou en transmission de signaux. Ainsi, une sélection des essais de transmission applicables doit être faite selon 5.2.3, en fonction des objectifs d'application des parafoudres. Le Tableau 1 donne des lignes directrices pour choisir les essais de transmission applicables.

Le paragraphe 5.4 traite des exigences d'environnement, seulement quand les parafoudres sont destinés à une utilisation dans des conditions ambiantes non déterminées, telles que décrites en 4.1. Les parafoudres doivent satisfaire à ces exigences, après accord entre l'utilisateur et le fabricant. Le tableau 1 indique des exemples d'exigences que chaque type de parafoudre doit satisfaire.

Tableau 1 – Exigences générales des parafoudres

Série d'essai ^d	Exigence – Essai	Para- graphe	Type de parafoudres					
			Parafoudre limiteur de tension	Parafoudre limiteur de tension et limiteur de courant	Parafoudre limiteur de tension et ayant un composant linéaire entre ses bornes	Parafoudre limiteur de tension et de courant ayant des capacités d'émission améliorées	Parafoudre limiteur de tension mais destiné à un environnement à conditions étendues	Parafoudre limiteur de tension et de courant mais destiné à un environnement à conditions étendues
1	Essai général	6.1						
	Identification et documentation	6.1.1	A	A	A	A	A	A
	Marquage	6.1.2	A	A	A	A	A	A
	Essais d'émission	6.2.3						
	Capacité	6.2.3.1	A	O	O	O	A	O
	Perte d'insertion	6.2.3.2	O	A	A	A	O	A
	Affaiblissement de réflexion	6.2.3.3	O	O	O	A	O	O
	Affaiblissement de conversion longitudinale (ACL)	6.2.3.4	O	O	O	A	O	O
	Taux d'erreur binaire (TEB)	6.2.3.5	O	O	O	O	O	O
	Paradiaphonie	6.2.3.6	O	O	O	A	O	O
	Essais mécaniques	6.3						
	Bornes et connecteurs	6.3.1	A	A	A	A	A	A
	Procédure générale d'essai	6.3.1.1	A	A	A	A	A	A
	Bornes à vis	6.3.1.2	A	A	A	A	A	A
	Bornes sans vis	6.3.1.3	A	A	A	A	A	A
	Connexions à perçage d'isolant	6.3.1.4	A	A	A	A	A	A
	Essai de traction sur des bornes de parafoudres conçus pour des mono-conducteurs	6.3.1.4.1	A	A	A	A	A	A
	Essai de traction pour des parafoudres conçus pour des câbles multiconducteurs et des cordons	6.3.1.4.2	A	A	A	A	A	A
	Résistance mécanique (montage)	6.3.2	A	A	A	A	A	A

Tableau 1 (suite)

Série d'essai ^d	Exigence – Essai	Para- graphe	Type de parafoudres					
			Parafoudre limiteur de tension	Parafoudre limiteur de tension et de courant	Parafoudre limiteur de tension et ayant un composant linéaire entre ses bornes	Parafoudre limiteur de tension et de courant ayant des capacités d'émission améliorées	Parafoudre limiteur de tension mais destiné à un environnement à conditions étendues	Parafoudre limiteur de tension et de courant mais destiné à un environnement à conditions étendues
	Résistance à l'introduction de corps solides et à l'introduction nocive de l'eau	6.3.3	A	A	A	A	A	A
	Protection contre les contacts directs	6.3.4	A	A	A	A	A	A
	Résistance au feu	6.3.5	A	A	A	A	A	A
	Essais d'environnement	6.4						
	Endurance à haute température et haute humidité	6.4.1	O	O	O	O	A	A
	Conditions d'ambiance cyclées avec impulsions transitoires	6.4.2	O	O	O	O	A	A
	Conditions d'ambiance cyclées avec chocs en courant alternatif	6.4.3	O	O	O	O	A	A
2	Essais de limitation en tension	6.2.1						
	Tension maximale de service permanent (Uc)	6.2.1.1	A	A	A	A	A	A
	Résistance d'isolement	6.2.1.2	A	A	A	A	A	A
	Endurance aux impulsions pour la fonction limitation de tension ^a	6.2.1.6	A	A	A	A	A	A
	Tension de limitation impulsionnelle ^b	6.2.1.3	A	A	A	A	A	A
	désamorçage sur impulsion pour type à coupure	6.2.1.4	A	A	A	A	A	A
	Endurance en courant alternatif pour la fonction limitation de tension ^a	6.2.1.5	O	O	O	O	O	O
	Essai du point aveugle pour parafoudre étagé	6.2.1.8	A	A	A	A	A	A
	Mode de défaut par surcharge	6.2.1.7	O	O	O	O	O	O

Tableau 1 (suite)

Série d'essai ^d	Exigence – Essai	Para- graphe	Type de parafoudres					
			Parafoudre limiteur de tension	Parafoudre limiteur de tension et de courant	Parafoudre limiteur de tension et ayant un composant linéaire entre ses bornes	Parafoudre limiteur de tension et de courant ayant des capacités d'émission améliorées	Parafoudre limiteur de tension mais destiné à un environnement à conditions étendues	Parafoudre limiteur de tension et de courant mais destiné à un environnement à conditions étendues
3	Essais de limitation en courant	6.2.2						
	Courant assigné	6.2.2.1	A. ^e	A	A	A	A. ^e .	A
	Résistance série	6.2.2.2	N.A.	A	A	A	N.A.	A
	Temps de réponse en courant	6.2.2.3	N.A.	A	N.A.	A ^c	N.A.	A ^c
	Temps de réamorçage en courant	6.2.2.4	N.A.	A	N.A.	A ^c	N.A.	A ^c
	Tension maximale de coupure	6.2.2.5	N.A.	A	N.A.	A ^c	N.A.	A ^c
	Essai de fonctionnement	6.2.2.6	N.A.	A	N.A.	A ^c	N.A.	A ^c
	Endurance en courant alternatif pour la fonction de limitation de courant ^a	6.2.2.7	N.A.	A	N.A.	A ^c	N.A.	A ^c
	Endurance impulsionnelle pour la fonction de limitation de courant ^a	6.2.2.8	N.A.	A	N.A.	A ^c	N.A.	A ^c
4	Essais de réception	6.5	O	O	O	O	O	O
A	S'applique.							
N.A.	Ne s'applique pas.							
O	Facultatif.							
^a	Pour chaque catégorie d'impulsion d'essai, un nouveau lot d'échantillons peut être utilisé.							
^b	Il est admis de mesurer la tension de limitation impulsionnelle 6.2.1.3 au cours de l'essai de l'endurance impulsionnelle 6.2.1.6.							
^c	L'essai ne s'applique pas en présence d'un composant linéaire entre ses bornes.							
^d	Chaque série d'essai est réalisée sur trois échantillons.							
^e	Applicable aux parafoudres à 4 ou 5 borne (voir fig. 1d et 1e).							

2 Références normatives

Les documents de référence suivants sont indispensables pour l'application du présent document. Pour les références datées, seule l'édition citée s'applique. Pour les références non datées, la dernière édition du document de référence s'applique (y compris les éventuels amendements).

CEI 60050(702):1992, *Vocabulaire Electrotechnique International – Chapitre 702: Oscillations, signaux et dispositifs associés*

CEI 60050(726):1982, *Vocabulaire Electrotechnique International – Chapitre 726: Lignes de transmission et guides d'ondes*

CEI 60060-1:1989, *Techniques des essais à haute tension – Partie 1: Définitions et prescriptions générales relatives aux essais*

CEI 60068-2-30:1980, *Essais d'environnement – Partie 2: Essais – Essai Db et guide: Essai cyclique de chaleur humide (cycle de 12+12 heures)*

CEI 60529, *Degrés de protection procurés par les enveloppes (code IP)*

CEI 60695-2-1/1:1994, *Essais relatifs aux risques du feu – Partie 2: Méthodes d'essai – Section 1/Feuille 1: Essai au fil incandescent sur produits finis et guide*

CEI 60950:1999, *Sécurité des matériels de traitement de l'information*

CEI 60999-1, *Dispositifs de connexion – Conducteurs électriques en cuivre – Prescriptions de sécurité pour organes de serrage à vis et sans vis – Partie 1: Prescriptions générales et particulières pour les organes de serrage pour les conducteurs de 0,2 mm² à 35 mm² (inclus)*

CEI 61000-4-5, *Compatibilité électromagnétique (CEM) – Partie 4: Techniques d'essai et de mesure – Section 5: Essai d'immunité aux ondes de choc*

CEI 61083-1, *Enregistreurs numériques pour les mesures pendant les essais de choc à haute tension – Partie 1: Prescriptions pour des enregistreurs numériques*

CEI 61180-1:1992, *Techniques des essais à haute tension pour matériels à basse tension – Partie 1: Définitions, prescriptions et modalités relatives aux essais*

CEI 61643-1, *Dispositifs de protection contre les surtensions connectés aux réseaux de distribution basse tension – Partie 1: Prescriptions de fonctionnement et méthodes d'essai*

IEC 61643-11:2011, *Parafoudres connectés aux systèmes de distribution basse tension - Prescriptions et essais*

CEI 61643-22:2004, *Parafoudres basse tension – Partie 22: Parafoudres connectés aux réseaux de signaux et de télécommunications – Principes de choix et d'application*

Recommandation UIT-T K.44: 2011, *Tests d'immunité des équipements de télécommunication exposés aux surtensions et aux surintensités – Recommandation fondamentale*

Recommandation UIT-T K.55:2002, *Prescriptions de surtension et de surintensité pour les terminaisons par connecteur autodénudant*

Recommandation UIT-T K.82, *Caractéristiques des dispositifs à semi-conducteurs et à auto-rétablissement pour la protection des installations de télécommunication contre les surintensités*

Recommandation UIT-T O.9:1999, *Montages pour la mesure du degré de dissymétrie par rapport à la terre*