



INTERNATIONAL STANDARD

NORME INTERNATIONALE



**Instrument transformers –
Part 13: Stand-alone merging unit (SAMU)**

**Transformateurs de mesure –
Partie 13: Concentrateur autonome (SAMU)**

INTERNATIONAL
ELECTROTECHNICAL
COMMISSION

COMMISSION
ELECTROTECHNIQUE
INTERNATIONALE

ICS 17.220.20

ISBN 978-2-8322-9284-6

**Warning! Make sure that you obtained this publication from an authorized distributor.
Attention! Veuillez vous assurer que vous avez obtenu cette publication via un distributeur agréé.**

CONTENTS

FOREWORD.....	4
INTRODUCTION.....	7
1 Scope.....	9
2 Normative references	9
3 Terms and definitions	11
4 Normal and special service conditions	14
5 Ratings.....	15
6 Design and construction	23
7 Tests	32
8 Rules for transport, storage, erection, operation and maintenance.....	49
9 Safety.....	49
Annex 13A (informative) Measurement chain accuracy class considerations	50
Annex 13B (informative) Measurement examples of switching and lightning surge voltage in gas-insulated switchgear	52
Annex 13C (normative) Low-power instrument transformer inputs	63
Bibliography.....	67
Figure 1301 – Stand-alone merging unit (functional concept example).....	7
Figure 1302 – Stand-alone merging unit application example.....	7
Figure 1303 – Illustration of the SAMU position in relation to other devices and standards in the functional chain.....	8
Figure 1304 – Specified input current time constant T_I	13
Figure 1305 – Dynamic range concept example	19
Figure 604 (modified) – Examples of subassembly subjected to EMC tests – Usual structure used in HV AIS applications	34
Figure 1306 – Gradual shutdown – Startup test	38
Figure 1307 – C-O-C-O duty cycle	39
Figure 13A.1 – SAMU application example	50
Figure 13B.1 – Constructional example of GIS with typical surge voltage sources.....	52
Figure 13B.2 – Measured 550 kV GIS construction	53
Figure 13B.3 – Measurement results showing a switching surge peak voltage magnitude caused by the DS operation in Figure 13B.2	54
Figure 13B.4 – Measured 275 kV GIS construction	55
Figure 13B.5 – Switching and lightning surge voltage waveforms.....	56
Figure 13B.6 – Switching surge voltage measurement setup on a 550 kV GIS with/without an insulating flange surge absorber	57
Figure 13B.7 – Switching surge voltage measurement results when the DS was operated with/without the surge absorber.....	58
Figure 13B.8 – CT secondary circuit configuration for the 500 kV GIS	59
Figure 13B.9 – DS control circuit configuration for the 500 kV GIS test	59
Figure 13B.10 – Waveforms of switching surge voltage at measured point I (see Table 13B.3).....	60
Figure 13B.11 – Block diagram of the electronic VT with amplifier tested in the 500 kV GIS system	61

Figure 13B.12 – Lightning surge voltage as a function of surge absorbing capacitor value...	61
Figure 13B.13 – Lightning surge voltage as a function of coaxial cable length	62
Table 1301 – Insulation requirements for analogue inputs.....	16
Table 1302 – Measuring accuracy class 0,05.....	17
Table 1303 – Limits of current error and phase error for SAMU measuring accuracy current channels	18
Table 1304 – Limits of current errors for SAMU TPM class rated protection accuracy current channels	20
Table 1305 – Limits of voltage error and phase error for SAMU voltage channels	21
Table 1306 – SAMU TCTR class settings.....	23
Table 1307 – SAMU TVTR class settings.....	23
Table 1308 – Immunity requirements and tests	24
Table 1309 – Acceptance criteria for EMC immunity tests.....	25
Table 1310 – Radiated emissions tests	27
Table 1311 – Conducted emissions tests	27
Table 1312 – SAMU rating plate markings	28
Table 1313 – Ratings defined in accordance with IEC 61850-7-4	32
Table 10 – List of tests.....	33
Table 1314 – Dry-heat test – Operational.....	44
Table 1315 – Cold test – Operational.....	44
Table 1316 – Dry-heat test at maximum storage temperature	45
Table 1317 – Cold test at minimum storage temperature.....	45
Table 1318 – Change of temperature (Cyclic temperature test).....	46
Table 1319 – Damp heat steady state test	47
Table 1320 – Cyclic temperature with humidity test.....	48
Table 13A.1 – Combined accuracy class table	50
Table 13B.1 – Measurement results showing switching and lightning surge voltage recorded for the setup in Figure 13B.4	55
Table 13B.2 – Measurement results of switching surge voltage on CT secondary circuit.....	59
Table 13B.3 – Measurement results showing the switching surge voltage coupling to the DS control circuit	59
Table 13C.1 – ITRat setting units.....	65
Table 13C.2 – SAMU rating plate marking modifications	65

INTERNATIONAL ELECTROTECHNICAL COMMISSION

INSTRUMENT TRANSFORMERS –

Part 13: Stand-alone merging unit (SAMU)

FOREWORD

- 1) The International Electrotechnical Commission (IEC) is a worldwide organization for standardization comprising all national electrotechnical committees (IEC National Committees). The object of IEC is to promote international co-operation on all questions concerning standardization in the electrical and electronic fields. To this end and in addition to other activities, IEC publishes International Standards, Technical Specifications, Technical Reports, Publicly Available Specifications (PAS) and Guides (hereafter referred to as "IEC Publication(s)"). Their preparation is entrusted to technical committees; any IEC National Committee interested in the subject dealt with may participate in this preparatory work. International, governmental and non-governmental organizations liaising with the IEC also participate in this preparation. IEC collaborates closely with the International Organization for Standardization (ISO) in accordance with conditions determined by agreement between the two organizations.
- 2) The formal decisions or agreements of IEC on technical matters express, as nearly as possible, an international consensus of opinion on the relevant subjects since each technical committee has representation from all interested IEC National Committees.
- 3) IEC Publications have the form of recommendations for international use and are accepted by IEC National Committees in that sense. While all reasonable efforts are made to ensure that the technical content of IEC Publications is accurate, IEC cannot be held responsible for the way in which they are used or for any misinterpretation by any end user.
- 4) In order to promote international uniformity, IEC National Committees undertake to apply IEC Publications transparently to the maximum extent possible in their national and regional publications. Any divergence between any IEC Publication and the corresponding national or regional publication shall be clearly indicated in the latter.
- 5) IEC itself does not provide any attestation of conformity. Independent certification bodies provide conformity assessment services and, in some areas, access to IEC marks of conformity. IEC is not responsible for any services carried out by independent certification bodies.
- 6) All users should ensure that they have the latest edition of this publication.
- 7) No liability shall attach to IEC or its directors, employees, servants or agents including individual experts and members of its technical committees and IEC National Committees for any personal injury, property damage or other damage of any nature whatsoever, whether direct or indirect, or for costs (including legal fees) and expenses arising out of the publication, use of, or reliance upon, this IEC Publication or any other IEC Publications.
- 8) Attention is drawn to the Normative references cited in this publication. Use of the referenced publications is indispensable for the correct application of this publication.
- 9) Attention is drawn to the possibility that some of the elements of this IEC Publication may be the subject of patent rights. IEC shall not be held responsible for identifying any or all such patent rights.

International Standard IEC 61869-13 has been prepared by IEC technical committee 38: Instrument transformers.

The text of this International Standard is based on the following documents:

FDIS	Report on voting
38/634/FDIS	38/640/RVD

Full information on the voting for the approval of this International Standard can be found in the report on voting indicated in the above table.

This document has been drafted in accordance with the ISO/IEC Directives, Part 2.

A list of all parts in the IEC 61869 series, published under the general title *Instrument transformers*, can be found on the IEC website.

This Part 13 is to be used in conjunction with IEC 61869-9:2016, *Digital interface for instrument transformers*, and IEC 61869-6:2016, *Additional general requirements for low-power instrument transformers*, which, in turn, are based on IEC 61869-1:2007, *General requirements*.

This Part 13 follows the structure of IEC 61869-1:2007 and IEC 61869-6:2016 and supplements or modifies their corresponding clauses.

When a particular clause/subclause of Part 1 or Part 6 is not mentioned in this Part 13, that subclause applies. When this document states "addition", "modification" or "replacement", the relevant text in Part 1 or Part 6 is to be adapted accordingly.

For additional clauses, subclauses, figures, tables, annexes or note, the following numbering system is used:

- clauses, subclauses, tables, figures and notes that are numbered starting from 1301 are additional to those in Part 1 and Part 6;
- additional annexes are lettered 13A, 13B, etc.

An overview of the planned set of standards at the date of publication of this document is given below. The updated list of standards issued by IEC TC 38 is available at the website: www.iec.ch.

PRODUCT FAMILY STANDARDS IEC	PRODUCT STANDARD IEC	PRODUCTS	OLD STANDARD IEC	
61869-1 GENERAL REQUIREMENTS FOR INSTRUMENT TRANSFORMERS	61869-2	ADDITIONAL REQUIREMENTS FOR CURRENT TRANSFORMERS	60044-1 60044-6	
	61869-3	ADDITIONAL REQUIREMENTS FOR INDUCTIVE VOLTAGE TRANSFORMERS	60044-2	
	61869-4	ADDITIONAL REQUIREMENTS FOR COMBINED TRANSFORMERS	60044-3	
	61869-5	ADDITIONAL REQUIREMENTS FOR CAPACITOR VOLTAGE TRANSFORMERS	60044-5	
	61869-6 ADDITIONAL GENERAL REQUIREMENTS FOR LOW-POWER INSTRUMENT TRANSFORMERS	61869-7	ADDITIONAL REQUIREMENTS FOR ELECTRONIC VOLTAGE TRANSFORMERS	60044-7
		61869-8	ADDITIONAL REQUIREMENTS FOR ELECTRONIC CURRENT TRANSFORMERS	60044-8
		61869-9	DIGITAL INTERFACE FOR INSTRUMENT TRANSFORMERS	
		61869-10	ADDITIONAL REQUIREMENTS FOR LOW-POWER PASSIVE CURRENT TRANSFORMERS	
		61869-11	ADDITIONAL REQUIREMENTS FOR LOW-POWER PASSIVE VOLTAGE TRANSFORMERS	60044-7
		61869-12	ADDITIONAL REQUIREMENTS FOR COMBINED ELECTRONIC INSTRUMENT TRANSFORMERS AND COMBINED STAND-ALONE SENSORS	
		61869-13	STAND-ALONE MERGING UNIT	
		61869-14	ADDITIONAL REQUIREMENTS FOR CURRENT TRANSFORMERS FOR DC APPLICATIONS	
		61869-15	ADDITIONAL REQUIREMENTS FOR VOLTAGE TRANSFORMERS FOR DC APPLICATIONS	

The committee has decided that the contents of this document will remain unchanged until the stability date indicated on the IEC website under "<http://webstore.iec.ch>" in the data related to the specific document. At this date, the document will be

- reconfirmed,
- withdrawn,
- replaced by a revised edition, or
- amended.

IMPORTANT – The "colour inside" logo on the cover page of this document indicates that it contains colours which are considered to be useful for the correct understanding of its contents. Users should therefore print this document using a colour printer.

INTRODUCTION

General

This document is an IEC 61869 series product standard which defines additional requirements for a stand-alone merging unit (SAMU).

The general block diagram showing a typical SAMU application example is given in Figure 1301.

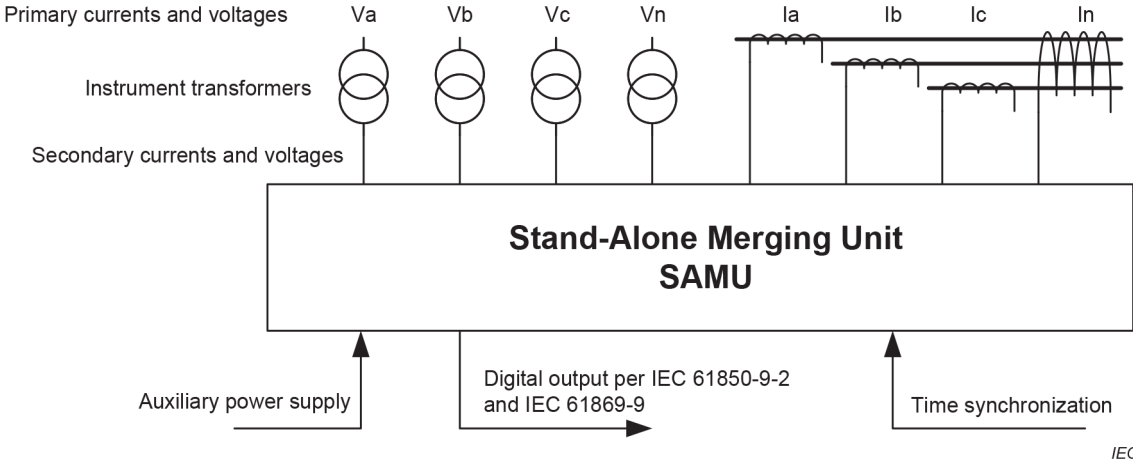


Figure 1301 – Stand-alone merging unit (functional concept example)

An application example showing a three-phase dead tank circuit breaker equipped with bushing type current transformers and a stand-alone merging unit mounted inside the breaker control cabinet is shown in Figure 1302.

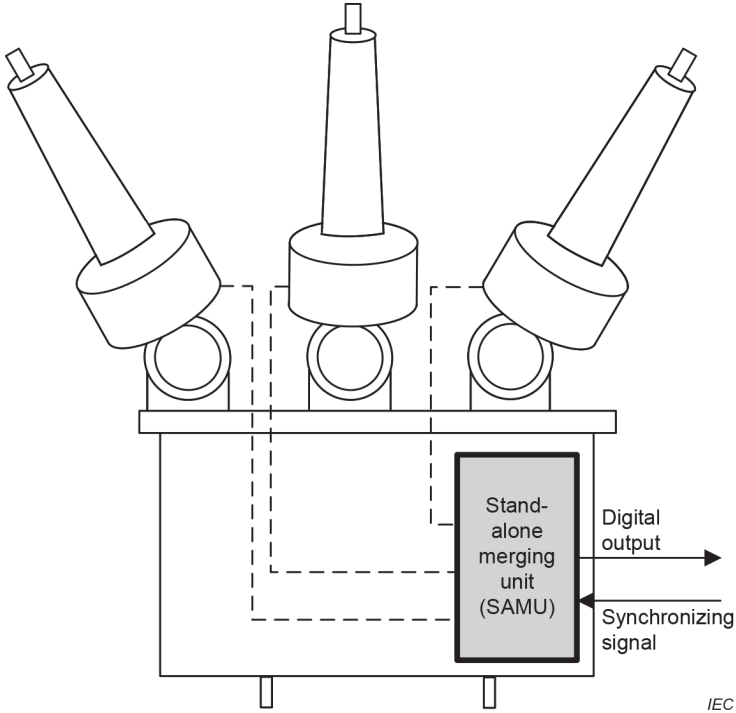


Figure 1302 – Stand-alone merging unit application example

The SAMU output may be used by many devices and is therefore of interest to multiple technical committees in addition to TC 38, for example: TC 57: Power systems management and

associated information exchange, TC 95: Measuring relays and protection equipment, TC 13: Electrical energy measurement and control, TC 85: Measuring equipment for electrical and electromagnetic quantities, and TC 17: High-voltage switchgear and controlgear, as shown in Figure 1303.

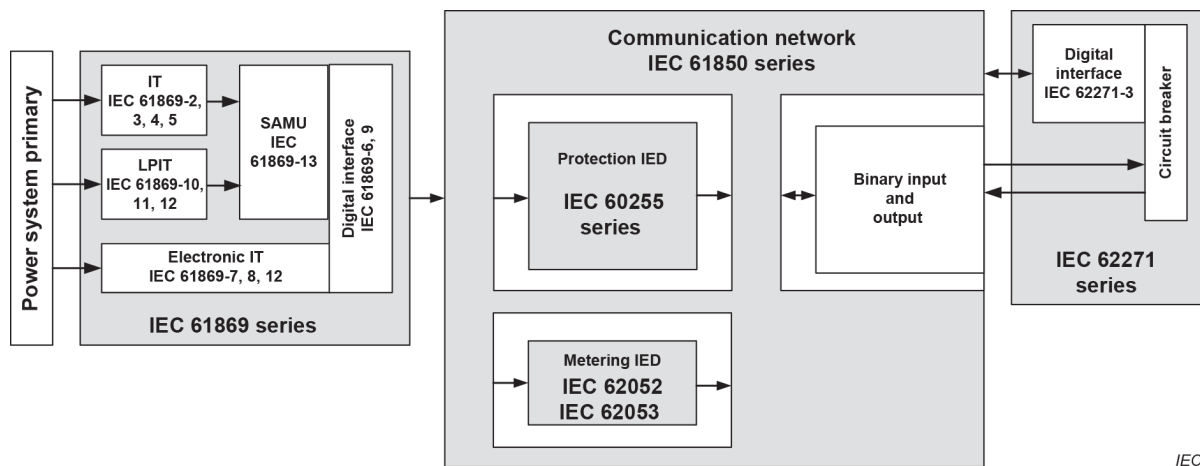


Figure 1303 – Illustration of the SAMU position in relation to other devices and standards in the functional chain

Position of this document in relation to IEC 61850 (all parts) of TC 57

IEC 61850 (all parts) is a series used to define various aspects of power utility communications. Its applicability to this document is inherited through IEC 61869-9 which defines applicable sample rates and a digital interface in accordance with IEC 61850-9-2 and related standards.

Position of this document in relation to IEC 60255 (all parts) of TC 95

IEC 60255 (all parts) standardizes the design and performance aspects applicable to measuring relays and protection equipment used in the various fields of electrical engineering. Since the SAMU is an integral part of the digital substation-based protection system, its EMC performance and environmental aspects are considered for harmonization with IEC 60255-1, IEC 60255-26 and safety aspects defined in IEC 60255-27. SAMU outputs are inputs for protection functions covered by the IEC 60255-1xx series.

Position of this document in relation to IEC 62052 (all parts) and IEC 62053 (all parts) of TC 13

IEC 62052 (all parts) and IEC 62053 (all parts) provide standardization in the field of AC and DC electrical energy measurement and control. Since the SAMU digital output may be used as input to energy measurement devices, its accuracy and EMC performance aspects should be considered.

Position of this document in relation to IEC 62271 (all parts) of TC 17

IEC 62271 (all parts) applies to AC switchgear and controlgear designed for indoor and/or outdoor installation and for operation at service frequencies up to and including 60 Hz on systems having rated voltages above 1 000 V. Similar to IEC 62271-3 which defines the switchgear interface based on IEC 61850, this document defines the SAMU which may be installed inside the same switchgear cabinet and is therefore subject to the same environmental stress.

INSTRUMENT TRANSFORMERS –

Part 13: Stand-alone merging unit (SAMU)

1 Scope

Clause 1 of IEC 61869-1:2007 is replaced by the following:

This part of IEC 61869 is a product standard and covers only additional requirements for stand-alone merging units (SAMUs) used for AC applications having rated frequencies from 15 Hz to 100 Hz. The digital output format specification is not covered by this document; it is standardized in IEC 61869-9 as an application of IEC 61850, which specifies the power utility communication architecture.

This document covers SAMUs having standardized analogue inputs (for example: 1 A, 5 A, $3,25\text{ V} / \sqrt{3}$ or $100\text{ V} / \sqrt{3}$) provided by instrument transformers compliant with relevant product standards (e.g. IEC 61869-2 to IEC 61869-5, IEC 61869-7, IEC 61869-8, IEC 61869-10, IEC 61869-11, IEC 60044-1 to IEC 60044-6, IEC 60185, IEC 60186, IEEE C57.13), and aims to convert them to the digital output compliant with IEC 61869-9. Other input and output types are outside the scope of this document. Appropriate SAMU functionality can be combined with switchgear controller functionality defined in IEC 62271-3 or other IED functionality defined in IEC 60255 (all parts).

Cyber security requirements are outside the scope of this document and are covered by the IEC 62351 series.

2 Normative references

The following documents are referred to in the text in such a way that some or all of their content constitutes requirements of this document. For dated references, only the edition cited applies. For undated references, the latest edition of the referenced document (including any amendments) applies.

Clause 2 of IEC 61869-1:2007 is applicable with the following additions:

IEC 60068-2-1:2007, *Environmental testing – Part 2-1: Tests – Test A: Cold*

IEC 60068-2-2:2007, *Environmental testing – Part 2-2: Tests – Test B: Dry heat*

IEC 60068-2-14:2009, *Environmental testing – Part 2-14: Tests – Test N: Change of temperature*

IEC 60068-2-30:2005, *Environmental testing – Part 2-30: Tests – Test Db: Damp heat, cyclic (12 + 12 h cycle)*

IEC 60068-2-78:2012, *Environmental testing – Part 2-78: Tests – Test Cab: Damp heat, steady state*

IEC 60255-27:2013, *Measuring relays and protection equipment – Part 27: Product safety requirements*

IEC 60664-1:2020, *Insulation coordination for equipment within low-voltage supply systems – Part 1: Principles, requirements and tests*

IEC 61000-4-2:2008, *Electromagnetic compatibility (EMC) – Part 4-2: Testing and measurement techniques – Electrostatic discharge immunity test*

IEC 61000-4-3:2006, *Electromagnetic compatibility (EMC) – Part 4-3: Testing and measurement techniques – Radiated, radio-frequency, electromagnetic field immunity test*
IEC 61000-4-3:2006/AMD1:2007
IEC 61000-4-3:2006/AMD2:2010

IEC 61000-4-4:2012, *Electromagnetic compatibility (EMC) – Part 4-4: Testing and measurement techniques – Electrical fast transient/burst immunity test*

IEC 61000-4-5:2014, *Electromagnetic compatibility (EMC) – Part 4-5: Testing and measurement techniques – Surge immunity test*

IEC 61000-4-6:2013, *Electromagnetic compatibility (EMC) – Part 4-6: Testing and measurement techniques – Immunity to conducted disturbances, induced by radio-frequency fields*

IEC 61000-4-8:2009, *Electromagnetic compatibility (EMC) – Part 4-8 Testing and measurement techniques – Power frequency magnetic field immunity test*

IEC 61000-4-9:2016, *Electromagnetic compatibility (EMC) – Part 4-9 Testing and measurement techniques – Impulse magnetic field immunity test*

IEC 61000-4-10:2016, *Electromagnetic compatibility (EMC) – Part 4-10 Testing and measurement techniques – Damped oscillatory magnetic field immunity test*

IEC 61000-4-11:2020, *Electromagnetic compatibility (EMC) – Part 4-11 Testing and measurement techniques – Voltage dips, short interruptions and voltage variations immunity tests for equipment with input current up to 16 A per phase*

IEC 61000-4-13, *Electromagnetic compatibility (EMC) – Part 4-13: Testing and measurement techniques – Harmonics and interharmonics including mains signalling at a.c. power port, low frequency immunity tests*

IEC 61000-4-16:2015, *Electromagnetic compatibility (EMC) – Part 4-16 Testing and measurement techniques – Test for immunity to conducted, common mode disturbances in the frequency range 0 Hz to 150 kHz*

IEC 61000-4-17:1999, *Electromagnetic compatibility (EMC) – Part 4-17: Testing and measurement techniques – Ripple on d.c. input power port immunity test*
IEC 61000-4-17:1999/AMD1:2001
IEC 61000-4-17:1999/AMD1:2008

IEC 61000-4-18:2006, *Electromagnetic compatibility (EMC) – Part 4-18 Testing and measurement techniques – Damped oscillatory wave immunity test,*
IEC 61000-4-18:2006/AMD1:2010

IEC 61000-4-29:2000, *Electromagnetic compatibility (EMC) – Part 4-29 Testing and measurement techniques – Voltage dips, short interruptions and voltage variations on d.c. input power port immunity tests*

IEC 61850-7-4, *Communication networks and systems for power utility automation – Part 7-4: Basic communication structure – Compatible logical node classes and data object classes*

IEC 61869-1:2007, *Instrument transformers – Part 1: General requirements*

IEC 61869-2:2012, *Instrument transformers – Part 2: Additional requirements for current transformers*

IEC 61869-6:2016, *Instrument transformers – Part 6: Additional general requirements for low-power instrument transformers*

IEC 61869-9:2016, *Instrument transformers – Part 9: Digital interface for instrument transformers*

IEC 61869-10:2017, *Instrument transformers – Part 10: Additional requirements for low-power passive current transformers*

IEC 61869-11:2017, *Instrument transformers – Part 11: Additional requirements for low-power passive voltage transformers*

CISPR 11, *Industrial, scientific and medical equipment – Radio-frequency disturbance characteristics – Limits and methods of measurement*

CISPR 32:2015, *Electromagnetic compatibility of multimedia equipment – Emission requirements*

CISPR 32:2015/AMD1:2019

SOMMAIRE

AVANT-PROPOS	72
INTRODUCTION.....	76
1 Domaine d'application	78
2 Références normatives	78
3 Termes et définitions	80
4 Conditions de service normales et spéciales	84
5 Caractéristiques assignées.....	84
6 Conception et construction	93
7 Essais	103
8 Règles pour le transport, le stockage, le montage, l'exploitation et la maintenance.....	121
9 Sécurité.....	122
Annexe 13A (informative) Réflexions relatives à la classe de précision de la chaîne de mesure	123
Annexe 13B (informative) Exemples de mesures de surtensions de commutation et de foudre dans un appareillage de commutation à isolement gazeux	125
Annexe 13C (normative) Entrées de transformateur de mesure de faible puissance.....	136
Bibliographie.....	140
Figure 1301 – Concentrateur autonome (exemple de conception fonctionnelle)	76
Figure 1302 – Exemple d'application de concentrateur autonome	76
Figure 1303 – Représentation de la position du SAMU par rapport aux autres dispositifs et normes de la chaîne fonctionnelle	77
Figure 1304 – Constante de temps T_1 spécifiée pour le courant d'entrée.....	83
Figure 1305 – Exemple de conception de plage dynamique	88
Figure 604 (modifiée) – Exemples de sous-ensembles soumis aux essais de CEM – Structure habituelle utilisée dans les applications AIS HT	105
Figure 1306 – Essai d'arrêt progressif et de démarrage	108
Figure 1307 – Cycle de fonctionnement F-O-F-O	110
Figure 13A.1 – SAMU (exemple d'application)	123
Figure 13B.1 – CGIS (exemple de construction avec sources de surtension classiques)	125
Figure 13B.2 – Appareillage GIS mesuré à 550 kV.....	126
Figure 13B.3 – Résultats du mesurage montrant une tension de crête pour la surtension de commutation provoquée par le fonctionnement du DS représenté à la Figure 13B.2.....	127
Figure 13B.4 – Appareillage GIS mesuré à 275 kV.....	128
Figure 13B.5 – Forme d'ondes de la surtension de commutation et de foudre	129
Figure 13B.6 – Réglage du montage de mesure de la surtension de commutation pour un GIS de 550 kV avec/sans amortisseur de surtension à collerette isolante	130
Figure 13B.7 – Résultats du mesurage de la surtension de commutation pour un DS utilisé avec/sans amortissement de surtension.....	131
Figure 13B.8 – Configuration du circuit secondaire du CT pour un GIS à 500 kV	132
Figure 13B.9 – Configuration du circuit de commande du DS pour l'essai du GIS à 500 kV	132

Figure 13B.10 – Forme d'ondes de la surtension de commutation au point de mesure I (voir Tableau 13B.3)	133
Figure 13B.11 – Schéma fonctionnel du VT électronique avec amplificateur, soumis à essai au sein d'un système GIS de 500 kV.....	134
Figure 13B.12 – Surtension de foudre en fonction de la valeur du condensateur de surtension.....	134
Figure 13B.13 – Surtension de foudre selon la longueur du câble coaxial	135
Tableau 1301 – Exigences d'isolement des entrées analogiques	85
Tableau 1302 – Classe de précision de mesure 0,05	87
Tableau 1303 – Limites d'erreur de courant et de phase pour la précision de mesure des canaux de courant du SAMU	87
Tableau 1304 – Limites d'erreur de courant pour la précision de protection assignée de classe TPM, pour les canaux de courant du SAMU	90
Tableau 1305 – Limites d'erreur de tension et d'erreur de phase pour les canaux de tension du SAMU	91
Tableau 1306 – Réglages de la classe TCTR pour le SAMU	92
Tableau 1307 – Réglages de la classe TVTR pour le SAMU	92
Tableau 1308 – Essais et exigences pour l'immunité	94
Tableau 1309 – Critères d'acceptation pour les essais d'immunité CEM	95
Tableau 1310 – Essais d'émissions rayonnées	97
Tableau 1311 – Essais d'émissions conduites.....	97
Tableau 1312 – Marquage des plaques signalétiques du SAMU.....	98
Tableau 1313 – Caractéristiques assignées définies selon l'IEC 61850-7-4	102
Tableau 10 – Liste des essais.....	103
Tableau 1314 – Essai de chaleur sèche en fonctionnement	115
Tableau 1315 – Essai au froid en fonctionnement.....	116
Tableau 1316 – Essai de chaleur sèche à la température de stockage maximale.....	116
Tableau 1317 – Essai au froid à la température de stockage minimale.....	117
Tableau 1318 – Variation de température (essai de cycles de températures).....	118
Tableau 1319 – Essai continu de chaleur humide	119
Tableau 1320 – Essai de cycles de températures en milieu humide	120
Tableau 13A.1 – Tableau de classes de précision combinées	124
Tableau 13B.1 – Résultats du mesurage montrant des surtensions de commutation et de foudre, enregistrées pour le montage représenté à la Figure 13B.4.....	128
Tableau 13B.2 – Résultats du mesurage de la surtension de commutation sur le circuit secondaire du CT	132
Tableau 13B.3 – Résultats du mesurage montrant le couplage de la surtension de commutation au circuit de commande DS	132
Tableau 13C.1 – Unités de réglage ITRat	138
Tableau 13C.2 – Modifications des marquages de la plaque signalétique du SAMU.....	139

COMMISSION ÉLECTROTECHNIQUE INTERNATIONALE

TRANSFORMATEURS DE MESURE –

Partie 13: Concentrateur autonome (SAMU)

AVANT-PROPOS

- 1) La Commission Electrotechnique Internationale (IEC) est une organisation mondiale de normalisation composée de l'ensemble des comités électrotechniques nationaux (Comités nationaux de l'IEC). L'IEC a pour objet de favoriser la coopération internationale pour toutes les questions de normalisation dans les domaines de l'électricité et de l'électronique. A cet effet, l'IEC – entre autres activités – publie des Normes internationales, des Spécifications techniques, des Rapports techniques, des Spécifications accessibles au public (PAS) et des Guides (ci-après dénommés "Publication(s) de l'IEC"). Leur élaboration est confiée à des comités d'études, aux travaux desquels tout Comité national intéressé par le sujet traité peut participer. Les organisations internationales, gouvernementales et non gouvernementales, en liaison avec l'IEC, participent également aux travaux. L'IEC collabore étroitement avec l'Organisation Internationale de Normalisation (ISO), selon des conditions fixées par accord entre les deux organisations.
- 2) Les décisions ou accords officiels de l'IEC concernant les questions techniques représentent, dans la mesure du possible, un accord international sur les sujets étudiés, étant donné que les Comités nationaux de l'IEC intéressés sont représentés dans chaque comité d'études.
- 3) Les Publications de l'IEC se présentent sous la forme de recommandations internationales et sont agréées comme telles par les Comités nationaux de l'IEC. Tous les efforts raisonnables sont entrepris afin que l'IEC s'assure de l'exactitude du contenu technique de ses publications; l'IEC ne peut pas être tenue responsable de l'éventuelle mauvaise utilisation ou interprétation qui en est faite par un quelconque utilisateur final.
- 4) Dans le but d'encourager l'uniformité internationale, les Comités nationaux de l'IEC s'engagent, dans toute la mesure possible, à appliquer de façon transparente les Publications de l'IEC dans leurs publications nationales et régionales. Toutes divergences entre toutes Publications de l'IEC et toutes publications nationales ou régionales correspondantes doivent être indiquées en termes clairs dans ces dernières.
- 5) L'IEC elle-même ne fournit aucune attestation de conformité. Des organismes de certification indépendants fournissent des services d'évaluation de conformité et, dans certains secteurs, accèdent aux marques de conformité de l'IEC. L'IEC n'est responsable d'aucun des services effectués par les organismes de certification indépendants.
- 6) Tous les utilisateurs doivent s'assurer qu'ils sont en possession de la dernière édition de cette publication.
- 7) Aucune responsabilité ne doit être imputée à l'IEC, à ses administrateurs, employés, auxiliaires ou mandataires, y compris ses experts particuliers et les membres de ses comités d'études et des Comités nationaux de l'IEC, pour tout préjudice causé en cas de dommages corporels et matériels, ou de tout autre dommage de quelque nature que ce soit, directe ou indirecte, ou pour supporter les coûts (y compris les frais de justice) et les dépenses découlant de la publication ou de l'utilisation de cette Publication de l'IEC ou de toute autre Publication de l'IEC, ou au crédit qui lui est accordé.
- 8) L'attention est attirée sur les références normatives citées dans cette publication. L'utilisation de publications référencées est obligatoire pour une application correcte de la présente publication.
- 9) L'attention est attirée sur le fait que certains des éléments de la présente Publication de l'IEC peuvent faire l'objet de droits de brevet. L'IEC ne saurait être tenue pour responsable de ne pas avoir identifié de tels droits de brevets et de ne pas avoir signalé leur existence.

La Norme internationale IEC 61869-13 a été établie par le comité d'études 38 de l'IEC: Transformateurs de mesure

Le texte de cette Norme internationale est issu des documents suivants:

FDIS	Rapport de vote
38/634/FDIS	38/640/RVD

Le rapport de vote indiqué dans le tableau ci-dessus donne toute information sur le vote ayant abouti à l'approbation de cette Norme internationale.

La version française de la norme n'a pas été soumise au vote.

Ce document a été rédigé selon les Directives ISO/IEC, Partie 2.

Une liste de toutes les parties de la série IEC 61869, publiées sous le titre général *Transformateurs de mesure*, peut être consultée sur le site web de l'IEC.

La présente Partie 13 doit être lue conjointement avec l'IEC 61869-9:2016, *Interface numérique des transformateurs de mesure*, et l'IEC 61869-6:2016, *Exigences générales supplémentaires concernant les transformateurs de mesure de faible puissance*, qui sont elles-mêmes fondées sur l'IEC 61869-1:2007, *Exigences générales*.

La présente Partie 13 reprend la structure de l'IEC 61869-1:2007 et de l'IEC 61869-6:2016 et complète ou modifie les articles correspondants.

Lorsqu'un article/paragraphe particulier de la Partie 1 ou de la Partie 6 n'est pas mentionné dans la présente Partie 13, ce paragraphe s'applique. Lorsque le présent document mentionne "addition", "modification" ou "remplacement", le texte correspondant de la Partie 1 ou de la Partie 6 doit être adapté en conséquence.

Pour les articles, paragraphes, figures, tableaux, annexes ou notes supplémentaires, le système de numérotation suivant est utilisé:

- les articles, paragraphes, tableaux, figures et notes qui s'ajoutent à ceux de la Partie 1 et de la Partie 6 sont numérotés à partir de 1301;
- les annexes qui sont ajoutées sont désignées 13A, 13B, etc.

Une vue d'ensemble de la série de normes prévue à la date de publication du présent document est donnée ci-dessous. La liste à jour des normes publiées par le CE 38 de l'IEC est disponible sur le site web: www.iec.ch.

NORMES DE FAMILLES DE PRODUITS IEC	NORMES DE PRODUITS IEC	PRODUITS	ANCIENNE NORME IEC
61869-1 EXIGENCES GÉNÉRALES CONCERNANT LES TRANSFORMATEURS DE MESURE	61869-2	EXIGENCES SUPPLÉMENTAIRES CONCERNANT LES TRANSFORMATEURS DE COURANT	60044-1 60044-6
	61869-3	EXIGENCES SUPPLÉMENTAIRES CONCERNANT LES TRANSFORMATEURS INDUCTIFS DE TENSION	60044-2
	61869-4	EXIGENCES SUPPLÉMENTAIRES CONCERNANT LES TRANSFORMATEURS COMBINÉS	60044-3
	61869-5	EXIGENCES SUPPLÉMENTAIRES CONCERNANT LES TRANSFORMATEURS CONDENSATEURS DE TENSION	60044-5
61869-6 EXIGENCES GÉNÉRALES SUPPLÉMENTAIRES CONCERNANT LES TRANSFORMATEURS DE MESURE DE FAIBLE PUISSANCE	61869-7	ADDITIONAL REQUIREMENTS FOR ELECTRONIC VOLTAGE TRANSFORMERS (disponible en anglais seulement)	60044-7
	61869-8	ADDITIONAL REQUIREMENTS FOR ELECTRONIC CURRENT TRANSFORMERS (disponible en anglais seulement)	60044-8
	61869-9	INTERFACE NUMÉRIQUE DES TRANSFORMATEURS DE MESURE	
	61869-10	EXIGENCES SUPPLÉMENTAIRES CONCERNANT LES TRANSFORMATEURS DE COURANT PASSIFS DE FAIBLE PUISSANCE	
	61869-11	EXIGENCES SUPPLÉMENTAIRES POUR LES TRANSFORMATEURS DE TENSION PASSIFS DE FAIBLE PUISSANCE	60044-7
	61869-12	ADDITIONAL REQUIREMENTS FOR COMBINED ELECTRONIC INSTRUMENT TRANSFORMERS AND COMBINED STAND-ALONE INSTRUMENT TRANSFORMERS (disponible en anglais uniquement)	
	61869-13	CONCENTRATEUR AUTONOME	
	61869-14	EXIGENCES SUPPLÉMENTAIRES CONCERNANT LES TRANSFORMATEURS DE COURANT POUR APPLICATION EN COURANT CONTINU	
	61869-15	EXIGENCES SUPPLÉMENTAIRES CONCERNANT LES TRANSFORMATEURS DE TENSION POUR APPLICATION EN COURANT CONTINU	

Le comité a décidé que le contenu de ce document ne sera pas modifié avant la date de stabilité indiquée sur le site web de l'IEC sous "<http://webstore.iec.ch>" dans les données relatives au document recherché. A cette date, le document sera

- reconduit,
- supprimé,
- remplacé par une édition révisée, ou
- amendé.

IMPORTANT – Le logo "colour inside" qui se trouve sur la page de couverture de cette publication indique qu'elle contient des couleurs qui sont considérées comme utiles à une bonne compréhension de son contenu. Les utilisateurs devraient, par conséquent, imprimer cette publication en utilisant une imprimante couleur.

INTRODUCTION

Généralités

Le présent document est une norme de produits de la série IEC 61869. Il définit les exigences complémentaires pour un concentrateur autonome (SAMU, *Stand-Alone Merging Unit*).

Le schéma fonctionnel global (voir Figure 1301) représente un exemple d'application du SAMU classique.

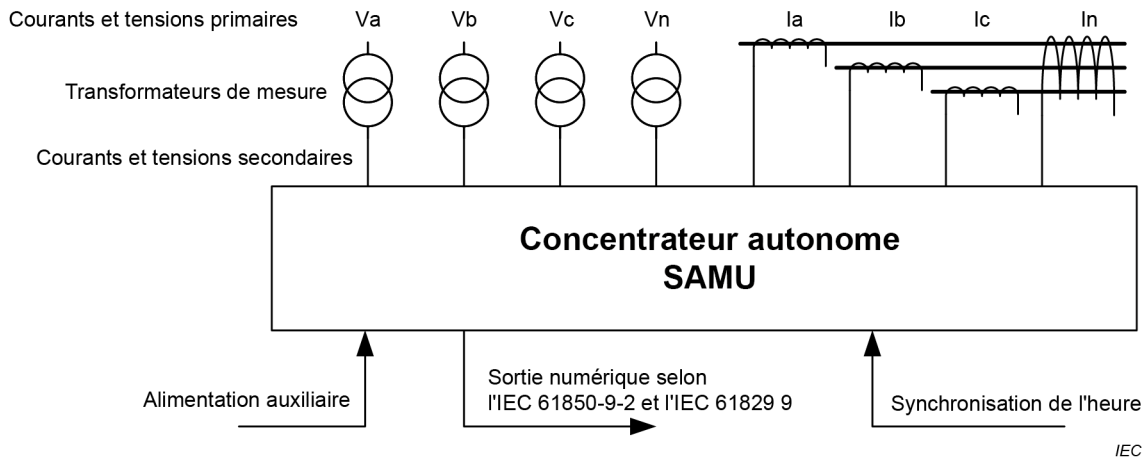


Figure 1301 – Concentrateur autonome (exemple de conception fonctionnelle)

La Figure 1302 représente un exemple d'application: un disjoncteur triphasé à réservoir neutre, équipé de transformateurs de courant du type à douille et d'un concentrateur autonome monté à l'intérieur de la baie de commande du disjoncteur.

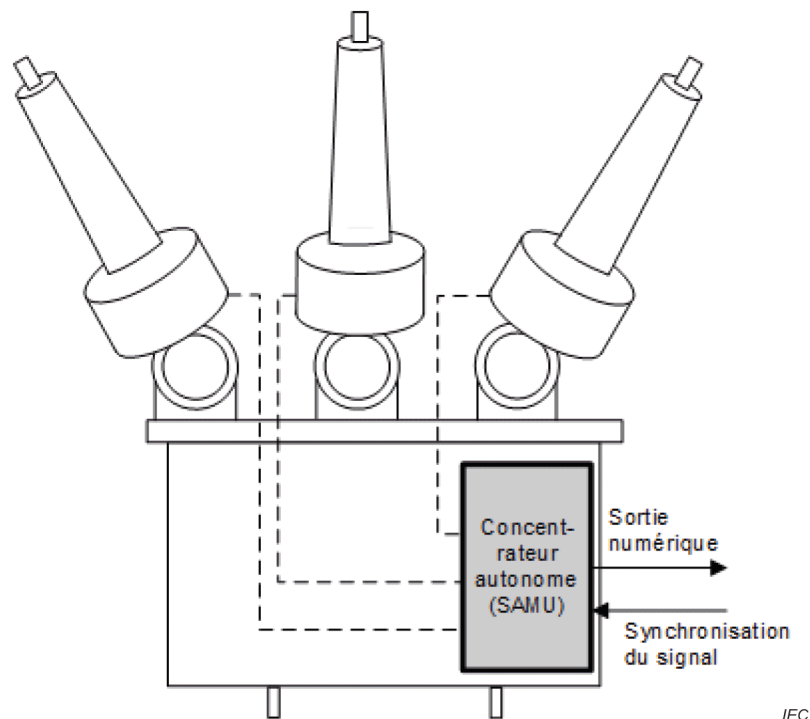


Figure 1302 – Exemple d'application de concentrateur autonome

La sortie SAMU peut être intégrée à un grand nombre de dispositifs. Elle entre donc dans le champ de compétences de plusieurs comités d'études outre le CE 38, par exemple: CE 57: Gestion des systèmes de puissance et échanges d'informations associés, CE 95: Relais de mesure et dispositifs de protection, CE 13: Comptage et pilotage de l'énergie électrique, CE 85: Equipements de mesure des grandeurs électriques et électromagnétiques, et CE 17: Appareillage haute tension, comme indiqué à la Figure 1303.

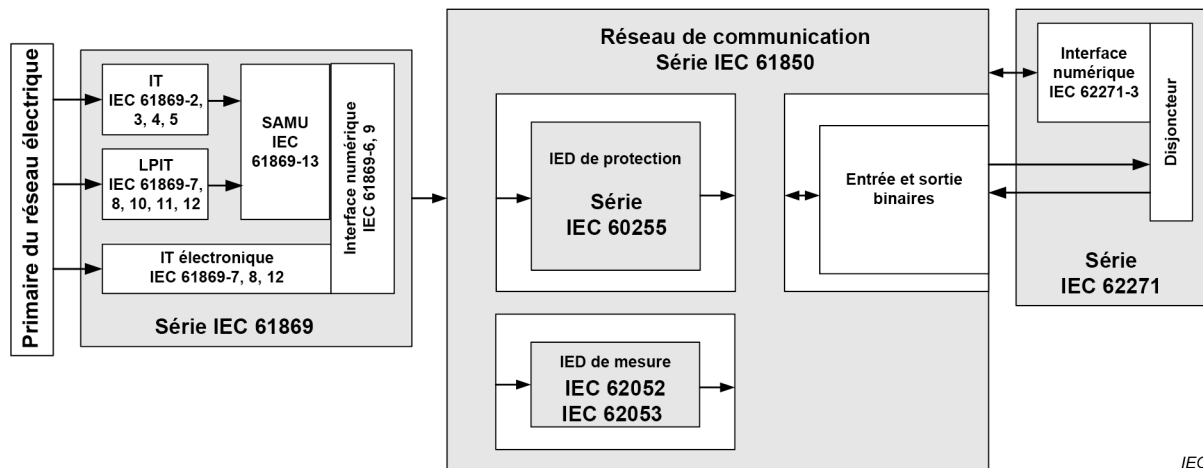


Figure 1303 – Représentation de la position du SAMU par rapport aux autres dispositifs et normes de la chaîne fonctionnelle

Position du présent document par rapport à l'IEC 61850 (toutes les parties) du CE 57

L'IEC 61850 (toutes les parties) est une série qui vise à définir les différents aspects de la communication au sein des services publics d'électricité. Elle s'applique au présent document par la norme IEC 61869-9, qui définit les fréquences d'échantillonnage applicables, ainsi qu'une interface numérique conforme à l'IEC 61850-9-2 et aux normes corrélées.

Position du présent document par rapport à l'IEC 60255 (toutes les parties) du CE 95

L'IEC 60255 (toutes les parties) normalise la conception et les performances applicables aux relais de mesure et dispositifs de protection utilisés dans les différents domaines de l'ingénierie électrique. Dans la mesure où le SAMU fait partie intégrante du système de protection fondé sur les postes numériques, ses performances CEM et ses aspects environnementaux sont pris en compte pour l'harmonisation avec l'IEC 60255-1, l'IEC 60255-26 et les aspects sécuritaires définis par l'IEC 60255-27. Les sorties SAMU sont des entrées pour les fonctions de protection couvertes par la série IEC 60255-1xx.

Position du présent document par rapport à l'IEC 62052 (toutes les parties) et l'IEC 62053 (toutes les parties) du CE 13

L'IEC 62052 (toutes les parties) et l'IEC 62053 (toutes les parties) normalisent le domaine du comptage et du pilotage de l'énergie électrique en courant alternatif et en courant continu. Dans la mesure où la sortie numérique du SAMU peut être utilisée comme entrée pour les appareils de mesure d'énergie, il convient de prendre en compte sa précision et ses performances CEM.

Position du présent document par rapport à l'IEC 62271 (toutes les parties) du CE 17

L'IEC 62271 (toutes les parties) s'applique aux appareillages de commutation et de commande en courant alternatif, conçus pour être installés en intérieur et/ou en extérieur et pour fonctionner à des fréquences de service inférieures ou égales à 60 Hz sur des systèmes dont la tension assignée est supérieure à 1 000 V. Tout comme l'IEC 62271-3 qui définit l'interface de commutation selon l'IEC 61850, le présent document définit le SAMU qui peut être installé dans la même baie de distribution et qui est donc soumis aux mêmes contraintes environnementales.

TRANSFORMATEURS DE MESURE –

Partie 13: Concentrateur autonome (SAMU)

1 Domaine d'application

L'Article 1 de l'IEC 61869-1:2007 est remplacé par le suivant:

La présente partie de l'IEC 61869 est une norme de produits et ne couvre que les exigences supplémentaires pour les concentrateurs autonomes (SAMU) utilisés pour les applications en courant continu avec une fréquence assignée comprise entre 15 Hz et 100 Hz. Le présent document ne spécifie pas le format de sortie numérique. Celui-ci est normalisé par l'IEC 61869-9, en tant qu'application de l'IEC 61850, qui spécifie l'architecture de communication des services publics d'électricité.

Le présent document couvre les SAMU dont les entrées analogiques sont normalisées (par exemple: 1 A, 5 A, $3,25 \text{ V} / \sqrt{3}$ ou $100 \text{ V} / \sqrt{3}$), fournies par des transformateurs de mesures conformes aux normes de produits pertinentes (par exemple IEC 61869-2 à IEC 61869-5, IEC 61869-7, IEC 61869-8, IEC 61869-10, IEC 61869-11, IEC 60044-1 à IEC 60044-6, IEC 60185, IEC 60186, IEEE C57.13), et vise à les convertir en sortie numérique conforme à l'IEC 61869-9. Les autres types d'entrées et de sorties sont hors du domaine d'application du présent document. La fonctionnalité SAMU adaptée peut être combinée à un appareillage de commande de distribution, défini dans l'IEC 62271-3, ou à d'autres fonctionnalités d'IED définies dans l'IEC 60255 (toutes les parties).

Les exigences en matière de cybersécurité sont hors du domaine d'application du présent document et sont couvertes par la série IEC 62351.

2 Références normatives

Les documents suivants sont cités dans le texte de sorte qu'ils constituent, pour tout ou partie de leur contenu, des exigences du présent document. Pour les références datées, seule l'édition citée s'applique. Pour les références non datées, la dernière édition du document de référence s'applique (y compris les éventuels amendements).

L'Article 2 de l'IEC 61869-1:2007 s'applique, avec les ajouts suivants:

IEC 60068-2-1:2007, *Essais d'environnement – Partie 2-1: Essais – Essai A: Froid*

IEC 60068-2-2:2007, *Essais d'environnement – Partie 2-2: Essais – Essai B: Chaleur sèche*

IEC 60068-2-14:2009, *Essais d'environnement – Partie 2-14: Essais – Essai N: Variation de température*

IEC 60068-2-30:2005, *Essais d'environnement – Partie 2-30: Essais – Essai Db: Essai cyclique de chaleur humide (cycle de 12 h + 12 h)*

IEC 60068-2-78:2012, *Essais d'environnement – Partie 2-78: Essais – Essai Cab: Chaleur humide, essai continu*

IEC 60255-27:2013, *Relais de mesure et dispositifs de protection – Partie 27: Exigences de sécurité*

IEC 60664-1:2020, *Coordination de l'isolement des matériels dans les réseaux d'énergie électrique à basse tension – Partie 1: Principes, exigences et essais*

IEC 61000-4-2:2008, *Compatibilité électromagnétique (CEM) – Partie 4-2: Techniques d'essai et de mesure – Essai d'immunité aux décharges électrostatiques*

IEC 61000-4-3:2006, *Compatibilité électromagnétique (CEM) – Partie 4-3: Techniques d'essai et de mesure – Essai d'immunité aux champs électromagnétiques rayonnés aux fréquences radioélectriques*

IEC 61000-4-3:2006/AMD1:2007

IEC 61000-4-3:2006/AMD2:2010

IEC 61000-4-4:2012, *Compatibilité électromagnétique (CEM) – Partie 4-4: Techniques d'essai et de mesure – Essais d'immunité aux transitoires électriques rapides en salves*

IEC 61000-4-5:2014, *Compatibilité électromagnétique (CEM) – Partie 4-5: Techniques d'essai et de mesure – Essai d'immunité aux ondes de choc*

IEC 61000-4-6:2013, *Compatibilité électromagnétique (CEM) – Partie 4-6: Techniques d'essai et de mesure – Immunité aux perturbations conduites, induites par les champs radioélectriques*

IEC 61000-4-8:2009, *Compatibilité électromagnétique (CEM) – Partie 4-8: Techniques d'essai et de mesure – Essai d'immunité au champ magnétique à la fréquence du réseau*

IEC 61000-4-9:2016, *Compatibilité électromagnétique (CEM) – Partie 4-9: Techniques d'essai et de mesure – Essai d'immunité au champ magnétique impulsionnel*

IEC 61000-4-10:2016, *Compatibilité électromagnétique (CEM) – Partie 4-10: Techniques d'essai et de mesure – Essai d'immunité au champ magnétique oscillatoire amorti*

IEC 61000-4-11:2020, *Compatibilité électromagnétique (CEM) – Partie 4-11: Techniques d'essai et de mesure – Essais d'immunité aux creux de tension, coupures brèves et variations de tension pour les appareils à courant d'entrée inférieur ou égal à 16 A par phase*

IEC 61000-4-13, *Compatibilité électromagnétique (CEM) – Partie 4-13: Techniques d'essai et de mesure – Essais d'immunité basse fréquence aux harmoniques et inter-harmoniques incluant les signaux transmis sur le réseau électrique alternatif*

IEC 61000-4-16:2015, *Compatibilité électromagnétique (CEM) – Partie 4-16: Essai d'immunité aux perturbations conduites en mode commun dans la plage de fréquences de 0 Hz à 150 kHz*

IEC 61000-4-17:1999, *Compatibilité électromagnétique (CEM) – Partie 4-17: Techniques d'essai et de mesure – Essai d'immunité à l'ondulation résiduelle sur entrée de puissance à courant continu*

IEC 61000-4-17:1999/AMD1:2001

IEC 61000-4-17:1999/AMD1:2008

IEC 61000-4-18:2006, *Compatibilité électromagnétique (CEM) – Partie 4-18: Techniques d'essai et de mesure – Essai d'immunité à l'onde oscillatoire amortie*

IEC 61000-4-18:2006/AMD1:2010

IEC 61000-4-29:2000, *Compatibilité électromagnétique (CEM) – Partie 4-29: Techniques d'essai et de mesure – Essais d'immunité aux creux de tension, coupures brèves et variations de tension sur les accès d'alimentation en courant continu*

IEC 61850-7-4, *Réseaux et systèmes de communication pour l'automatisation des systèmes électriques – Partie 7-4: Structure de communication de base – Classes de nœuds logiques et classes d'objets de données compatibles*

IEC 61869-1:2007, *Transformateurs de mesure – Partie 1: Exigences générales*

IEC 61869-2:2012, *Transformateurs de mesure – Partie 2: Exigences supplémentaires concernant les transformateurs de courant*

IEC 61869-6:2016, *Transformateurs de mesure – Partie 6: Exigences générales supplémentaires concernant les transformateurs de mesure de faible puissance*

IEC 61869-9:2016, *Transformateurs de mesure – Partie 9: Interface numérique pour les transformateurs de mesure*

IEC 61869-10:2017, *Transformateurs de mesure – Partie 10: Exigences supplémentaires concernant les transformateurs de courant passifs de faible puissance*

IEC 61869-11:2017, *Transformateurs de mesure – Partie 11: Exigences supplémentaires pour les transformateurs de tension passifs de faible puissance*

CISPR 11, *Appareils industriels, scientifiques et médicaux – Caractéristiques de perturbations radioélectriques – Limites et méthodes de mesure*

CISPR 32:2015, *Compatibilité électromagnétique des équipements multimédia – Exigences d'émission*

CISPR 32:2015/AMD1:2019