



# INTERNATIONAL STANDARD

# NORME INTERNATIONALE



---

**Instrument transformers –  
Part 14: Additional requirements for current transformers for DC applications**

**Transformateurs de mesure –  
Partie 14: Exigences supplémentaires concernant les transformateurs de  
courant pour application en courant continu**

INTERNATIONAL  
ELECTROTECHNICAL  
COMMISSION

COMMISSION  
ELECTROTECHNIQUE  
INTERNATIONALE

---

ICS 17.220.20

ISBN 978-2-8322-5803-3

**Warning! Make sure that you obtained this publication from an authorized distributor.  
Attention! Veuillez vous assurer que vous avez obtenu cette publication via un distributeur agréé.**

## CONTENTS

|  |    |
|--|----|
| FOREWORD.....  | 4  |
| INTRODUCTION.....  | 7  |
| 1 Scope.....   | 11 |
| 2 Normative references .....   | 11 |
| 3 Terms and definitions .....  | 11 |
| 5 Ratings.....   | 16 |
| 6 Design and construction .....  | 20 |
| 7 Tests .....  | 25 |
| Annex 14A (informative) Equivalent thermal current in CTs for DC application.....                                  | 37 |
| 14A.1 General.....   | 37 |
| 14A.2 Current harmonic content.....  | 37 |
| 14A.3 Losses in primary conductor due to harmonic content .....  | 38 |
| 14A.4 Thermal test with AC current.....  | 40 |
| Annex 14B (informative) Proposed rated insulation level applicable to current transformers for DC application..... | 41 |
| Bibliography.....  | 42 |
| Figure 1401 – Example of LCC scheme .....  | 7  |
| Figure 1402 – Typical scheme for VSC – symmetrical monopole.....   | 8  |
| Figure 1403 – Typical scheme for VSC – asymmetrical monopole or bipole .....                                       | 9  |
| Figure 1404 – Typical step responses of a system .....   | 14 |
| Figure 1405 – Accuracy limits of a DCCT.....   | 19 |
| Figure 1406 – Polarity reversal test profile.....  | 30 |
| Figure 1407 – Measurement of the step response time .....  | 32 |
| Figure 14A.1 – Typical waveform of current flowing in the primary conductor for LCC applications .....             | 37 |
| Figure 14A.2 – The two terms that make up the total losses in the primary conductor.....                           | 39 |
| Figure 14A.3 – Additional losses in conductors due to typical current harmonics .....                              | 40 |
| Figure 14A.4 – Power-frequency losses in conductors compared to DC losses .....                                    | 40 |
| Table 1401 – Current and voltage in current transformers for LCC application .....                                 | 8  |
| Table 1402 – Current and voltage in current transformers for VSC application.....                                  | 10 |
| Table 3 – Partial discharge test voltages and permissible levels .....   | 17 |
| Table 1403 – Limits of ratio error for DCCT (classes from 0,1 to 1).....   | 19 |
| Table 7 – Static withstand test loads.....   | 21 |
| Table 8 – Arc fault duration and performance criteria .....  | 22 |
| Table 1404 – Markings of terminals .....   | 23 |
| Table 1405 – Rating plate marking for common rating plate .....  | 24 |
| Table 1406 – Rating plate marking for each secondary converter .....   | 24 |
| Table 1407 – Rating plate marking for auxiliary power supply .....   | 25 |

|  |    |
|--|----|
| Table 10 – List of tests.....  | 26 |
| Table 14A.1 – Typical harmonic current values (800 kV LCC) .....   | 38 |
| Table 14B.1 – Proposed rated primary terminal insulation levels for current transformers for DC application..... | 41 |

# INTERNATIONAL ELECTROTECHNICAL COMMISSION

## INSTRUMENT TRANSFORMERS –

### Part 14: Additional requirements for current transformers for DC applications

#### FOREWORD

- 1) The International Electrotechnical Commission (IEC) is a worldwide organization for standardization comprising all national electrotechnical committees (IEC National Committees). The object of IEC is to promote international co-operation on all questions concerning standardization in the electrical and electronic fields. To this end and in addition to other activities, IEC publishes International Standards, Technical Specifications, Technical Reports, Publicly Available Specifications (PAS) and Guides (hereafter referred to as “IEC Publication(s)”). Their preparation is entrusted to technical committees; any IEC National Committee interested in the subject dealt with may participate in this preparatory work. International, governmental and non-governmental organizations liaising with the IEC also participate in this preparation. IEC collaborates closely with the International Organization for Standardization (ISO) in accordance with conditions determined by agreement between the two organizations.
- 2) The formal decisions or agreements of IEC on technical matters express, as nearly as possible, an international consensus of opinion on the relevant subjects since each technical committee has representation from all interested IEC National Committees.
- 3) IEC Publications have the form of recommendations for international use and are accepted by IEC National Committees in that sense. While all reasonable efforts are made to ensure that the technical content of IEC Publications is accurate, IEC cannot be held responsible for the way in which they are used or for any misinterpretation by any end user.
- 4) In order to promote international uniformity, IEC National Committees undertake to apply IEC Publications transparently to the maximum extent possible in their national and regional publications. Any divergence between any IEC Publication and the corresponding national or regional publication shall be clearly indicated in the latter.
- 5) IEC itself does not provide any attestation of conformity. Independent certification bodies provide conformity assessment services and, in some areas, access to IEC marks of conformity. IEC is not responsible for any services carried out by independent certification bodies.
- 6) All users should ensure that they have the latest edition of this publication.
- 7) No liability shall attach to IEC or its directors, employees, servants or agents including individual experts and members of its technical committees and IEC National Committees for any personal injury, property damage or other damage of any nature whatsoever, whether direct or indirect, or for costs (including legal fees) and expenses arising out of the publication, use of, or reliance upon, this IEC Publication or any other IEC Publications.
- 8) Attention is drawn to the Normative references cited in this publication. Use of the referenced publications is indispensable for the correct application of this publication.
- 9) Attention is drawn to the possibility that some of the elements of this IEC Publication may be the subject of patent rights. IEC shall not be held responsible for identifying any or all such patent rights.

International Standard IEC 61869-14 has been prepared by IEC technical committee 38: Instrument transformers.

The text of this standard is based on the following documents:

| FDIS        | Report on voting |
|-------------|------------------|
| 38/560/FDIS | 38/565/RVD       |

Full information on the voting for the approval of this International Standard can be found in the report on voting indicated in the above table.

This document has been drafted in accordance with the ISO/IEC Directives, Part 2.

A list of all parts in the IEC 61869 series, published under the general title *Instrument transformers*, can be found on the IEC website.

This Part 14 is to be used in conjunction with, and is based on, IEC 61869-1:2007, *General requirements*, and IEC 61869-6:2016, *Additional general requirements for low-power instrument transformers* – however the reader is encouraged to use the most recent editions.

This Part 14 follows the structure of IEC 61869-1:2007 and IEC 61869-6:2016 and supplements or modifies their corresponding clauses.

When a subclause of Part 1 or Part 6 is not mentioned in this Part 14, that subclause applies. When this standard states “addition”, “modification” or “replacement”, the relevant text in Part 1 or Part 6 is to be adapted accordingly.

For additional clauses, subclauses, figures, tables, annexes or notes, the following numbering system is used:

- clauses, subclauses, tables, figures and notes that are numbered starting from 1401 are additional to those in Part 1 and Part 6;
- additional annexes are lettered 14A, 14B, etc.

An overview of the planned set of standards at the date of publication of this document is given below. The updated list of standards issued by IEC TC 38 is available at the website: [www.iec.ch](http://www.iec.ch)

| PRODUCT FAMILY STANDARDS               | PRODUCT STANDARD  | PRODUCTS  | OLD STANDARD  |         |
|--|---|---|---|---------|
| <b>61869-1</b><br>GENERAL REQUIREMENTS | 61869-2   | ADDITIONAL REQUIREMENTS FOR CURRENT TRANSFORMERS            | 60044-1<br>60044-6  |         |
|  | 61869-3   | ADDITIONAL REQUIREMENTS FOR INDUCTIVE VOLTAGE TRANSFORMERS  | 60044-2   |         |
|  | 61869-4   | ADDITIONAL REQUIREMENTS FOR COMBINED TRANSFORMERS           | 60044-3   |         |
|  | 61869-5   | ADDITIONAL REQUIREMENTS FOR CAPACITIVE VOLTAGE TRANSFORMERS | 60044-5   |         |
|  | <b>61869-6</b><br>ADDITIONAL GENERAL REQUIREMENTS FOR LOW-POWER INSTRUMENT TRANSFORMERS | 61869-7   | ADDITIONAL REQUIREMENTS FOR ELECTRONIC VOLTAGE TRANSFORMERS   | 60044-7 |
|  |   | 61869-8   | ADDITIONAL REQUIREMENTS FOR ELECTRONIC CURRENT TRANSFORMERS   | 60044-8 |
|  |   | 61869-9   | DIGITAL INTERFACE FOR INSTRUMENT TRANSFORMERS   |         |
|  |   | 61869-10  | ADDITIONAL REQUIREMENTS FOR LOW-POWER PASSIVE CURRENT TRANSFORMERS  |         |
|  |   | 61869-11  | ADDITIONAL REQUIREMENTS FOR LOW-POWER PASSIVE VOLTAGE TRANSFORMERS  | 60044-7 |
|  |   | 61869-12  | ADDITIONAL REQUIREMENTS FOR COMBINED ELECTRONIC INSTRUMENT TRANSFORMER OR COMBINED LOW-POWER PASSIVE TRANSFORMERS |         |
|  |   | 61869-13  | STAND ALONE MERGING UNIT  |         |
|  |   | 61869-14  | ADDITIONAL REQUIREMENTS FOR CURRENT TRANSFORMERS FOR DC APPLICATIONS  |         |
|  |   | 61869-15  | ADDITIONAL REQUIREMENTS FOR VOLTAGE TRANSFORMERS FOR DC APPLICATIONS  |         |

The committee has decided that the contents of this document will remain unchanged until the stability date indicated on the IEC website under "<http://webstore.iec.ch>" in the data related to the specific document. At this date, the document will be

- reconfirmed,
- withdrawn,
- replaced by a revised edition, or
- amended.

**IMPORTANT – The 'colour inside' logo on the cover page of this publication indicates that it contains colours which are considered to be useful for the correct understanding of its contents. Users should therefore print this document using a colour printer.**

## INTRODUCTION

### General

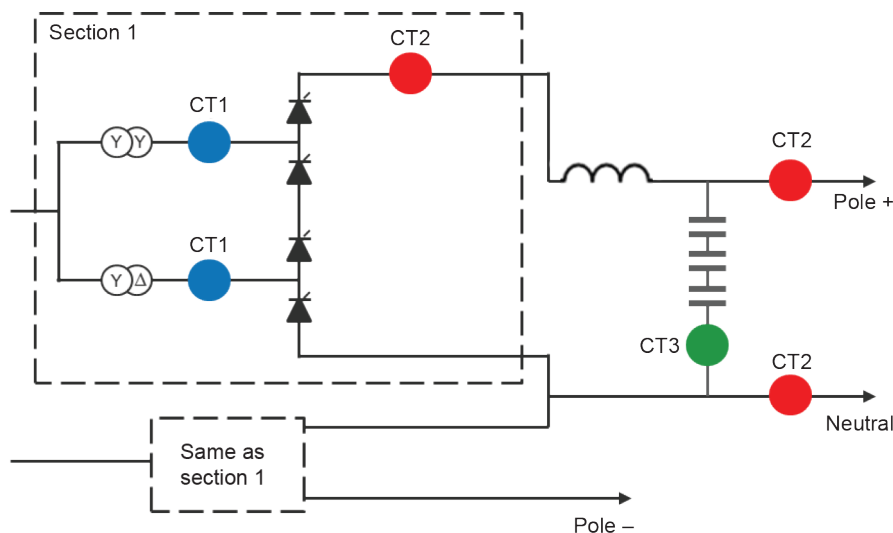
This document applies to current transformers intended to be used in DC applications with at least one of the following functions:

- measure DC current (with significant harmonics);
- withstand DC voltage.

Depending on the position of the current transformer on the DC system, different kinds of application exist, which are briefly described below, together with the approximate voltage or current wave shape.

### Line-commutated converters (LCC)

Line-commutated converters (LCC) are based on thyristor converters (see Figure 1401). They are characterized by a single direction of current flow, and a voltage polarity reversal possibility. Significant voltage and current harmonics exist up to frequencies of about 3 kHz to 4 kHz.



IEC

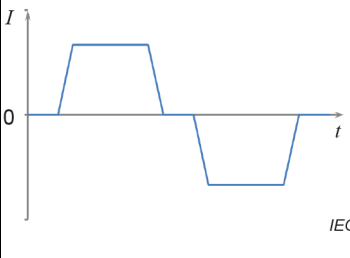
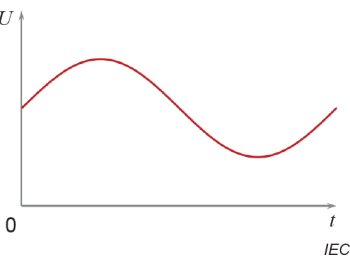
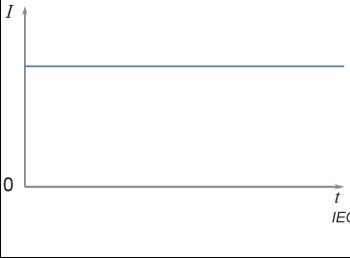
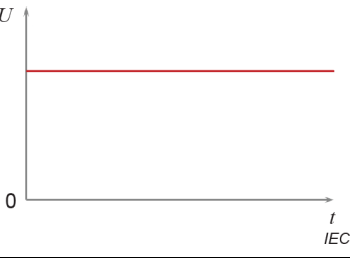


**Figure 1401 – Example of LCC scheme**

We distinguish three different current-measurement functions:

- CT1: measurement of the current at the AC side of the converter;
- CT2: measurement of the current at the DC side of the converter;
- CT3: measurement of the current in the DC filter.

Table 1401 gives an overview of the current and voltage waveshapes as well as the main characteristics of the different applications of the CT.

**Table 1401 – Current and voltage in current transformers for LCC application**

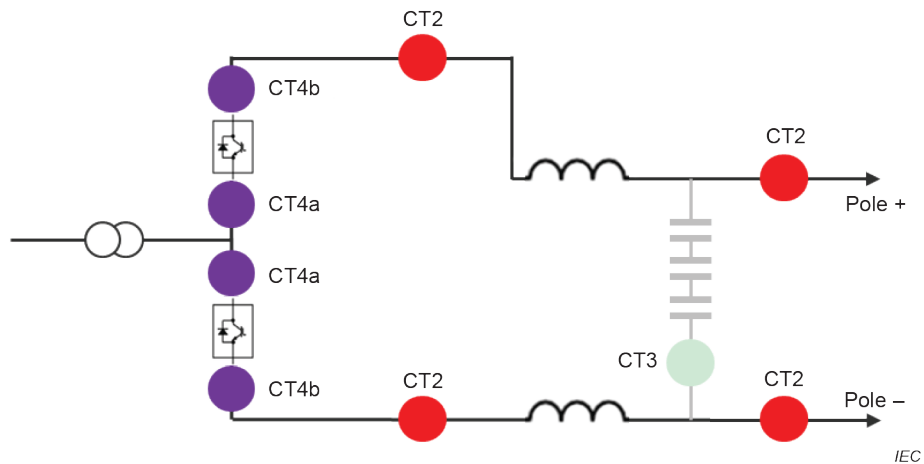
|     | Current  | Voltage  | Characteristics  |
|-----|--|--|--|
| CT1 |   |   | AC current<br>AC + DC voltage<br>Large amount of current harmonics<br>Mainly for protection purposes                   |
| CT2 |   |   | Pure DC application<br>High-accuracy measurement<br>Harmonics measurement<br>Metering, control and protection purposes |
| CT3 |  |  | DC voltage stress with harmonics<br>DC current = 0<br>Harmonics measurement<br>Mainly for protection purposes          |

### Voltage-source converters (VSC)

Voltage-source converters (VSC) are based on transistor converters. They are characterized by a bi-directional current flow and a single voltage polarity. Voltage and current harmonics exist up to frequencies of about 20 kHz.

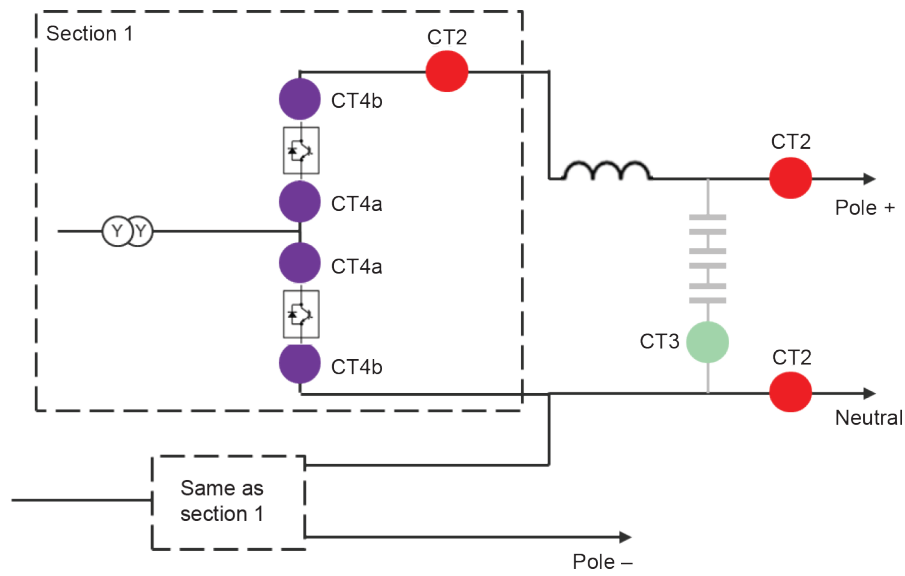
Two variants of VSC schemes exist: symmetrical monopoles (using one single converter) and asymmetrical monopole or bipole (with one converter for each polarity).

Both schemes are shown in Figure 1402 and Figure 1403.



**Figure 1402 – Typical scheme for VSC – symmetrical monopole**





IEC

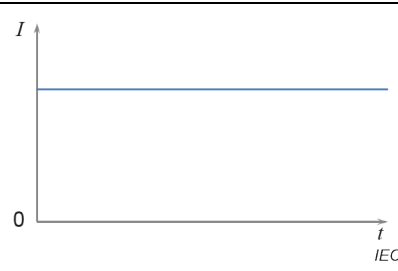
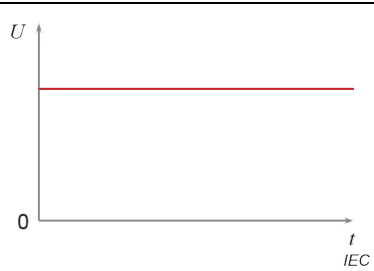
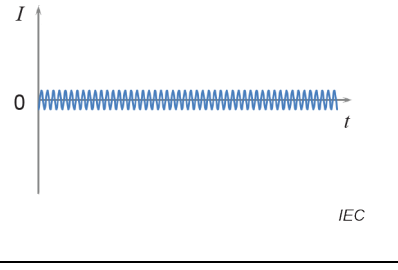
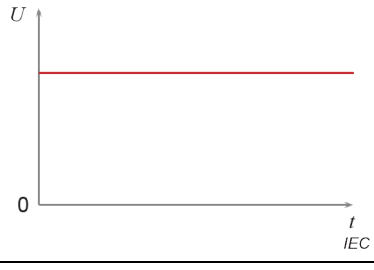
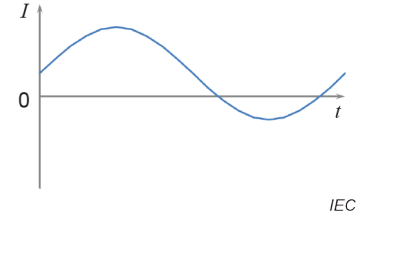
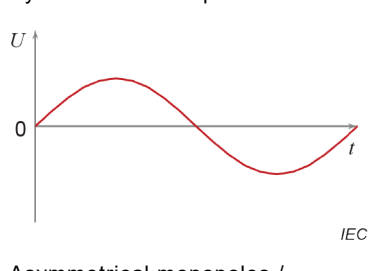
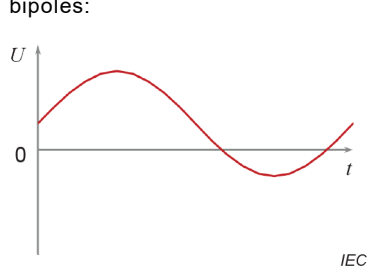
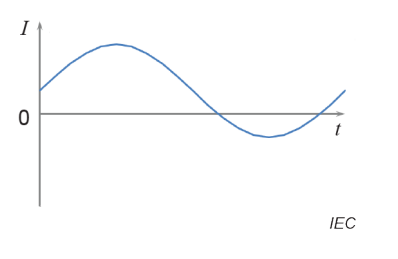

**Figure 1403 – Typical scheme for VSC – asymmetrical monopole or bipole**

We distinguish three different current-measurement functions:

- CT4: measurement of the current in the transistor branches of the converter.  
The CT can be placed before (CT4a) or after the transistor branch (CT4b);
- CT2: measurement of the current at the DC side of the converter;
- CT3: measurement of the current in the DC filter (not always present in this scheme).

Table 1402 gives an overview of the current and voltage waveshapes as well as the main characteristics of the different applications of the CT.

**Table 1402 – Current and voltage in current transformers for VSC application**

|      | Current   | Voltage  | Characteristics  |
|------|---|--|--|
| CT2  |    |    | Pure DC application<br>High accuracy measurement<br>Harmonics measurement<br>Metering, control and protection purposes<br>Short step response time |
| CT3  |    |    | DC voltage stress<br>DC current = 0<br>Harmonics measurement<br>Mainly for protection purposes   |
| CT4a |   | <p>Symmetrical monopole:</p>  <p>Asymmetrical monopoles / bipoles:</p>  | Pure AC voltage or DC + AC voltage<br>DC + AC current<br>High-accuracy measurement<br>Short step response time                                     |
| CT4b |  |    | DC voltage stress<br>DC + AC current<br>High-accuracy measurement<br>Short step response time  |

## INSTRUMENT TRANSFORMERS –

### Part 14: Additional requirements for current transformers for DC applications

#### 1 Scope

This part of IEC 61869 provides all requirements specific to current transformers to be used in DC applications (DCCTs), whatever the technology used. The output signal can be analogue or digital.

It is applicable to newly manufactured current transformers used for measuring, protection and/or control applications in DC power systems with a rated voltage above 1,5 kV.

The general configuration of a single-pole low-power instrument transformer is described in Figure 601 of IEC 61869-6:2016.

The DCCTs intended for current measurement in the transistor branch of the VSC valve (referred to as CT4a and CT4b in Figure 1403 and Table 1402) are not covered by this document, and will be considered in a future revision.

#### 2 Normative references

The following documents are referred to in the text in such a way that some or all of their content constitutes requirements of this document. For dated references, only the edition cited applies. For undated references, the latest edition of the referenced document (including any amendments) applies.

Clause 2 of IEC 61869-6:2016 is applicable, with the following additions and modifications:

IEC TS 60815-4:2016, *Selection and dimensioning of high-voltage insulators intended for use in polluted conditions – Part 4: Insulators for DC systems*

IEC TS 61245:2015, *Artificial pollution tests on high-voltage ceramic and glass insulators to be used on DC systems*

IEC 61869-6:2016, *Instrument transformers – Part 6: Additional general requirements for low-power instrument transformers*

IEC 61869-9:2016, *Instrument transformers – Part 9: Digital interface for instrument transformers*

## SOMMAIRE

|  |    |
|--|----|
| AVANT-PROPOS .....   | 46 |
| INTRODUCTION.....  | 50 |
| 1 Domaine d'application .....  | 54 |
| 2 Références normatives .....  | 54 |
| 3 Termes et définitions .....  | 54 |
| 5 Caractéristiques assignées.....  | 59 |
| 6 Conception et construction .....   | 63 |
| 7 Essais .....   | 68 |
| Annexe 14A (informative) Courant thermique équivalent dans les transformateurs de courant continu .....                        | 80 |
| 14A.1 Généralités .....  | 80 |
| 14A.2 Contenu harmonique du courant .....  | 80 |
| 14A.3 Pertes dans le conducteur primaire dues au contenu harmonique .....  | 81 |
| 14A.4 Essai thermique avec un courant alternatif.....  | 83 |
| Annexe 14B (informative) Proposition de niveau d'isolement assigné applicable aux transformateurs de courant continu.....      | 84 |
| Bibliographie.....   | 85 |
| <br>   |    |
| Figure 1401 – Exemple de schéma LCC .....  | 50 |
| Figure 1402 – Schéma VSC type – à monopôle symétrique .....  | 52 |
| Figure 1403 – Schéma VSC type – à monopôle asymétrique ou à bipôle .....   | 52 |
| Figure 1404 – Réponses à un échelon types d'un système .....   | 57 |
| Figure 1405 – Limites de précision d'un transformateur de courant continu.....   | 62 |
| Figure 1406 – Profil d'essai d'inversion de polarité .....   | 73 |
| Figure 1407 – Mesure du temps de réponse à un échelon .....  | 75 |
| Figure 14A.1 – Forme d'onde type du courant passant dans le conducteur primaire pour applications LCC.....                     | 80 |
| Figure 14A.2 – Les deux facteurs expliquant l'ensemble des pertes dans le conducteur primaire .....                            | 82 |
| Figure 14A.3 – Pertes supplémentaires dans les conducteurs dues aux harmoniques types de courant .....                         | 83 |
| Figure 14A.4 – Pertes de courant à fréquence industrielle dans les conducteurs par rapport aux pertes de courant continu ..... | 83 |
| <br>   |    |
| Tableau 1401 – Courant et tension dans les transformateurs de courant pour applications LCC.....                               | 51 |
| Tableau 1402 – Courant et tension dans les transformateurs de courant pour applications VSC .....                              | 53 |
| Tableau 3 – Tensions d'essai de décharge partielle et niveaux admissibles .....  | 60 |
| Tableau 1403 – Limites de l'erreur de rapport des transformateurs de courant continu (classes de 0,1 à 1) .....                | 62 |
| Tableau 7 – Charges d'essai de tenue statique .....  | 64 |
| Tableau 8 – Durée de défaut d'arc et critères de performance .....   | 65 |
| Tableau 1404 – Marquage des bornes .....   | 66 |

|  |    |
|--|----|
| Tableau 1405 – Marquage de plaque signalétique – plaque signalétique commune .....   | 67 |
| Tableau 1406 – Marquage de plaque signalétique pour chaque convertisseur<br>secondaire .....   | 68 |
| Tableau 1407 – Marquage de plaque signalétique pour alimentation auxiliaire.....   | 68 |
| Tableau 10 – Liste des essais.....   | 69 |
| Tableau 14A.1 – Valeurs types de courant harmonique (LCC à 800 kV).....  | 81 |
| Tableau 14B.1 – Propositions de niveaux assignés d'isolation des bornes primaires<br>pour les transformateurs de courant continu ..... | 84 |

## COMMISSION ÉLECTROTECHNIQUE INTERNATIONALE

### TRANSFORMATEURS DE MESURE –

#### Partie 14: Exigences supplémentaires concernant les transformateurs de courant pour application en courant continu

#### AVANT-PROPOS

- 1) La Commission Electrotechnique Internationale (IEC) est une organisation mondiale de normalisation composée de l'ensemble des comités électrotechniques nationaux (Comités nationaux de l'IEC). L'IEC a pour objet de favoriser la coopération internationale pour toutes les questions de normalisation dans les domaines de l'électricité et de l'électronique. A cet effet, l'IEC – entre autres activités – publie des Normes internationales, des Spécifications techniques, des Rapports techniques, des Spécifications accessibles au public (PAS) et des Guides (ci-après dénommés "Publication(s) de l'IEC"). Leur élaboration est confiée à des comités d'études, aux travaux desquels tout Comité national intéressé par le sujet traité peut participer. Les organisations internationales, gouvernementales et non gouvernementales, en liaison avec l'IEC, participent également aux travaux. L'IEC collabore étroitement avec l'Organisation Internationale de Normalisation (ISO), selon des conditions fixées par accord entre les deux organisations.
- 2) Les décisions ou accords officiels de l'IEC concernant les questions techniques représentent, dans la mesure du possible, un accord international sur les sujets étudiés, étant donné que les Comités nationaux de l'IEC intéressés sont représentés dans chaque comité d'études.
- 3) Les Publications de l'IEC se présentent sous la forme de recommandations internationales et sont agréées comme telles par les Comités nationaux de l'IEC. Tous les efforts raisonnables sont entrepris afin que l'IEC s'assure de l'exactitude du contenu technique de ses publications; l'IEC ne peut pas être tenue responsable de l'éventuelle mauvaise utilisation ou interprétation qui en est faite par un quelconque utilisateur final.
- 4) Dans le but d'encourager l'uniformité internationale, les Comités nationaux de l'IEC s'engagent, dans toute la mesure possible, à appliquer de façon transparente les Publications de l'IEC dans leurs publications nationales et régionales. Toutes divergences entre toutes Publications de l'IEC et toutes publications nationales ou régionales correspondantes doivent être indiquées en termes clairs dans ces dernières.
- 5) L'IEC elle-même ne fournit aucune attestation de conformité. Des organismes de certification indépendants fournissent des services d'évaluation de conformité et, dans certains secteurs, accèdent aux marques de conformité de l'IEC. L'IEC n'est responsable d'aucun des services effectués par les organismes de certification indépendants.
- 6) Tous les utilisateurs doivent s'assurer qu'ils sont en possession de la dernière édition de cette publication.
- 7) Aucune responsabilité ne doit être imputée à l'IEC, à ses administrateurs, employés, auxiliaires ou mandataires, y compris ses experts particuliers et les membres de ses comités d'études et des Comités nationaux de l'IEC, pour tout préjudice causé en cas de dommages corporels et matériels, ou de tout autre dommage de quelque nature que ce soit, directe ou indirecte, ou pour supporter les coûts (y compris les frais de justice) et les dépenses découlant de la publication ou de l'utilisation de cette Publication de l'IEC ou de toute autre Publication de l'IEC, ou au crédit qui lui est accordé.
- 8) L'attention est attirée sur les références normatives citées dans cette publication. L'utilisation de publications référencées est obligatoire pour une application correcte de la présente publication.
- 9) L'attention est attirée sur le fait que certains des éléments de la présente Publication de l'IEC peuvent faire l'objet de droits de brevet. L'IEC ne saurait être tenue pour responsable de ne pas avoir identifié de tels droits de brevets et de ne pas avoir signalé leur existence.

La Norme internationale IEC 61869-14 a été établie par le comité d'études 38 de l'IEC: Transformateurs de mesure.

Le texte de cette norme est issu des documents suivants:

|             |                 |
|-------------|-----------------|
| FDIS        | Rapport de vote |
| 38/560/FDIS | 38/565/RVD      |

Le rapport de vote indiqué dans le tableau ci-dessus donne toute information sur le vote ayant abouti à l'approbation de cette Norme internationale.

Ce document a été rédigé selon les Directives ISO/IEC, Partie 2.

Une liste de toutes les parties de la série IEC 61869, publiées sous le titre général *Transformateurs de mesure*, peut être consultée sur le site web de l'IEC.

La présente Partie 14 doit être utilisée conjointement avec l'IEC 61869-1:2007, *Exigences générales*, et l'IEC 61869-6:2016, *Exigences générales supplémentaires concernant les transformateurs de mesure de faible puissance*, dont elle est issue. Le lecteur est toutefois encouragé à utiliser les éditions les plus récentes.

La présente Partie 14 reprend la structure de l'IEC 61869-1:2007 et de l'IEC 61869-6:2016 et complète ou modifie les articles correspondants.

Lorsqu'un paragraphe de la Partie 1 ou de la Partie 6 n'est pas mentionné dans la présente Partie 14, ledit paragraphe s'applique. Lorsque la présente norme spécifie "addition", "modification" ou "remplacement", le texte correspondant de la Partie 1 ou de la Partie 6 doit être adapté en conséquence.

Pour les articles, paragraphes, figures, tableaux, annexes ou notes supplémentaires, le système de numérotation suivant est utilisé:

- les articles, paragraphes, tableaux, figures et notes numérotés à partir de 1401 s'ajoutent à ceux de la Partie 1 et de la Partie 6;
- les annexes supplémentaires sont numérotées 14A, 14B, etc.

Une vue d'ensemble de la série de normes prévue à la date de publication du présent document est donnée ci-dessous. La liste à jour des normes publiées par le CE 38 de l'IEC est disponible sur le site web: [www.iec.ch](http://www.iec.ch)

| NORMES DE FAMILLES DE PRODUITS   | NORMES DE PRODUITS | PRODUITS  | ANCIENNE NORME     |
|--|--------------------|---|--------------------|
| <b>61869-1</b><br>EXIGENCES GÉNÉRALES  | 61869-2            | EXIGENCES SUPPLÉMENTAIRES CONCERNANT LES TRANSFORMATEURS DE COURANT   | 60044-1<br>60044-6 |
|  | 61869-3            | EXIGENCES SUPPLÉMENTAIRES CONCERNANT LES TRANSFORMATEURS INDUCTIFS DE TENSION   | 60044-2            |
|  | 61869-4            | EXIGENCES SUPPLÉMENTAIRES CONCERNANT LES TRANSFORMATEURS COMBINÉS   | 60044-3            |
|  | 61869-5            | EXIGENCES SUPPLÉMENTAIRES CONCERNANT LES TRANSFORMATEURS CONDENSATEURS DE TENSION   | 60044-5            |
| <b>61869-6</b><br>EXIGENCES GÉNÉRALES SUPPLÉMENTAIRES CONCERNANT LES TRANSFORMATEURS DE MESURE DE FAIBLE PUISSANCE | 61869-7            | ADDITIONAL REQUIREMENTS FOR ELECTRONIC VOLTAGE TRANSFORMERS (disponible en anglais seulement)   | 60044-7            |
|  | 61869-8            | ADDITIONAL REQUIREMENTS FOR ELECTRONIC CURRENT TRANSFORMERS (disponible en anglais seulement)   | 60044-8            |
|  | 61869-9            | INTERFACE NUMÉRIQUE DES TRANSFORMATEURS DE MESURE   |                    |
|  | 61869-10           | EXIGENCES SUPPLÉMENTAIRES CONCERNANT LES TRANSFORMATEURS DE COURANT PASSIFS DE FAIBLE PUISSANCE   |                    |
|  | 61869-11           | EXIGENCES SUPPLÉMENTAIRES POUR LES TRANSFORMATEURS DE TENSION PASSIFS DE FAIBLE PUISSANCE   | 60044-7            |
|  | 61869-12           | ADDITIONAL REQUIREMENTS FOR COMBINED ELECTRONIC INSTRUMENT TRANSFORMER OR COMBINED LOW-POWER PASSIVE TRANSFORMERS (disponible en anglais seulement) |                    |
|  | 61869-13           | STAND-ALONE MERGING UNIT (disponible en anglais seulement)  |                    |
|  | 61869-14           | EXIGENCES SUPPLÉMENTAIRES CONCERNANT LES TRANSFORMATEURS DE COURANT POUR APPLICATION EN COURANT CONTINU   |                    |
|  | 61869-15           | EXIGENCES SUPPLÉMENTAIRES CONCERNANT LES TRANSFORMATEURS DE TENSION POUR APPLICATION EN COURANT CONTINU   |                    |



Le comité a décidé que le contenu de ce document ne sera pas modifié avant la date de stabilité indiquée sur le site web de l'IEC sous "http://webstore.iec.ch" dans les données relatives au document recherché. A cette date, le document sera

- reconduit,
- supprimé,
- remplacé par une édition révisée, ou
- amendé.

**IMPORTANT – Le logo "colour inside" qui se trouve sur la page de couverture de cette publication indique qu'elle contient des couleurs qui sont considérées comme utiles à une bonne compréhension de son contenu. Les utilisateurs devraient, par conséquent, imprimer cette publication en utilisant une imprimante couleur.**

## INTRODUCTION

### Généralités

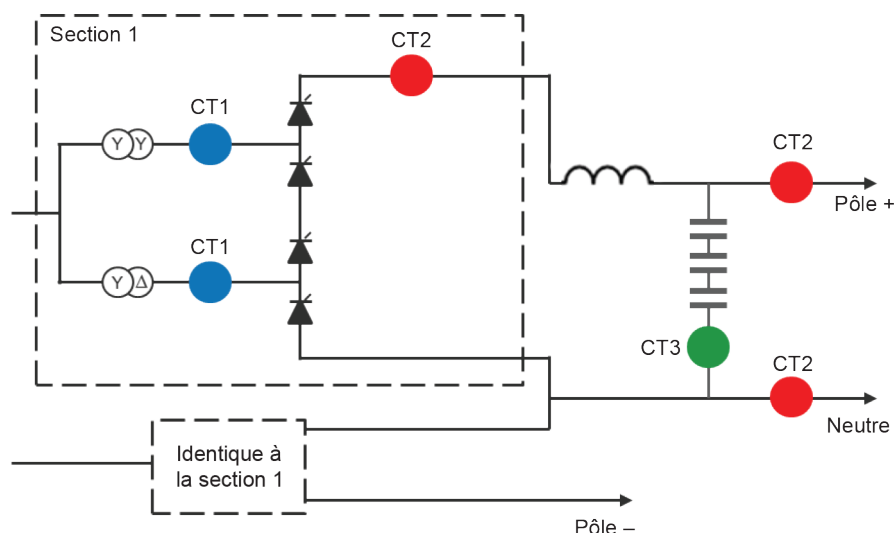
Le présent document s'applique aux transformateurs de courant destinés à être utilisés dans les applications en courant continu comportant au moins une des fonctions suivantes:

- mesurer du courant continu (avec des harmoniques élevées);
- assurer la tenue diélectrique à une tension continue.

Selon la position du transformateur de courant dans le système à courant continu, différents types d'applications existent. Ils sont décrits brièvement ci-dessous, ainsi que la forme d'onde approximative du courant ou de la tension.

### Convertisseurs commutés par le réseau (LCC, Line-Commutated Converters)

Les convertisseurs commutés par le réseau (LCC) sont basés sur les convertisseurs à thyristor (voir figure 1401). Ils se caractérisent par un flux de courant unidirectionnel et la possibilité d'inverser la polarité de la tension. Des harmoniques de tension et de courant élevées existent jusqu'à des fréquences d'environ 3 kHz à 4 kHz.



IEC

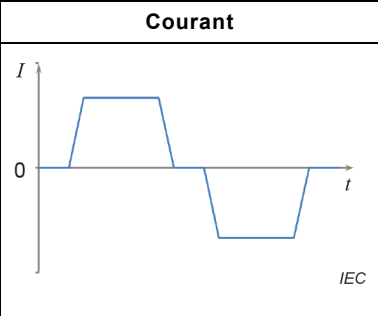
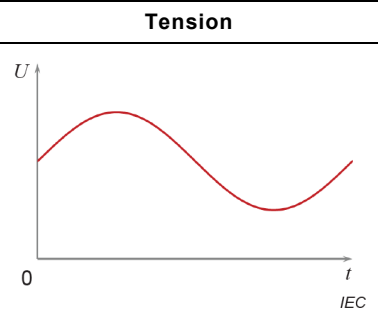
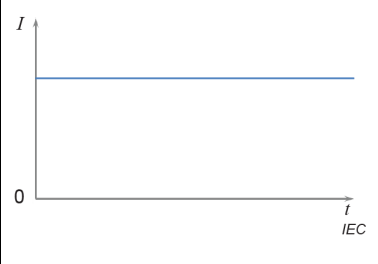
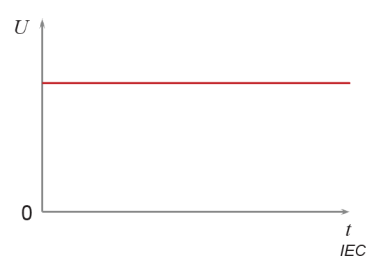
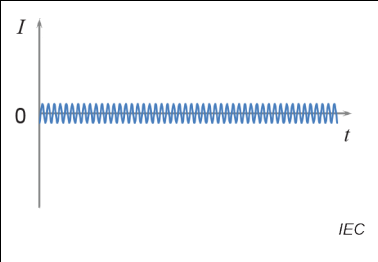
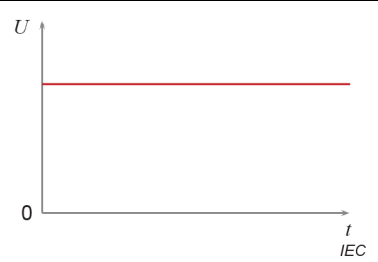
**Figure 1401 – Exemple de schéma LCC**

Nous distinguons trois fonctions différentes de mesure du courant:

- CT1: mesure du courant du côté courant alternatif du convertisseur;
- CT2: mesure du courant du côté courant continu du convertisseur;
- CT3: mesure du courant dans le filtre côté courant continu.

Le Tableau 1401 donne une vue d'ensemble des formes d'onde du courant et de la tension, ainsi que les principales caractéristiques des différentes applications du transformateur de courant.

**Tableau 1401 – Courant et tension dans les transformateurs de courant pour applications LCC**

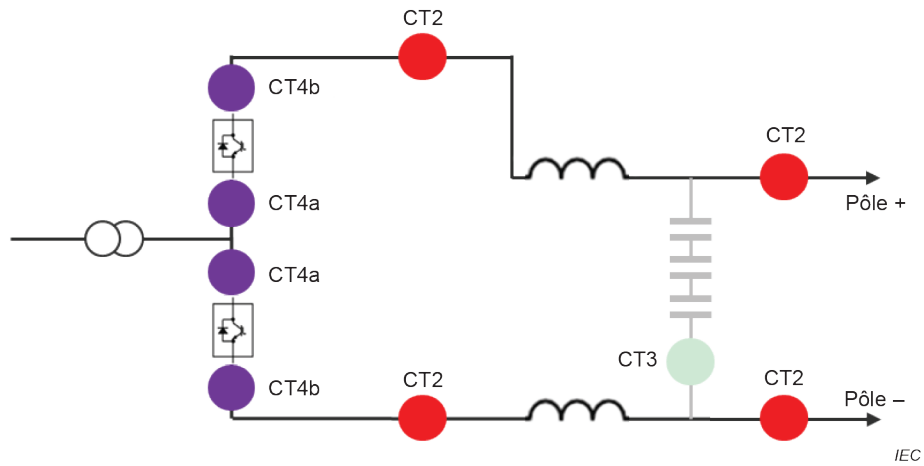
|     | Courant  | Tension   | Caractéristiques   |
|-----|--|---|--|
| CT1 |   |   | <p>Courant alternatif</p> <p>Tension AC + DC</p> <p>Quantité élevée d'harmoniques de courant</p> <p>Utilisé principalement à des fins de protection</p>                                |
| CT2 |   |   | <p>Applications en courant continu uniquement</p> <p>Mesure d'une grande précision</p> <p>Mesure des harmoniques</p> <p>Utilisé à des fins de mesure, de commande et de protection</p> |
| CT3 |  |  | <p>Contrainte de tension continue avec harmoniques</p> <p>Courant continu = 0</p> <p>Mesure des harmoniques</p> <p>Utilisé principalement à des fins de protection</p>                 |

### Convertisseurs de source de tension (VSC, Voltage-Source Converters)

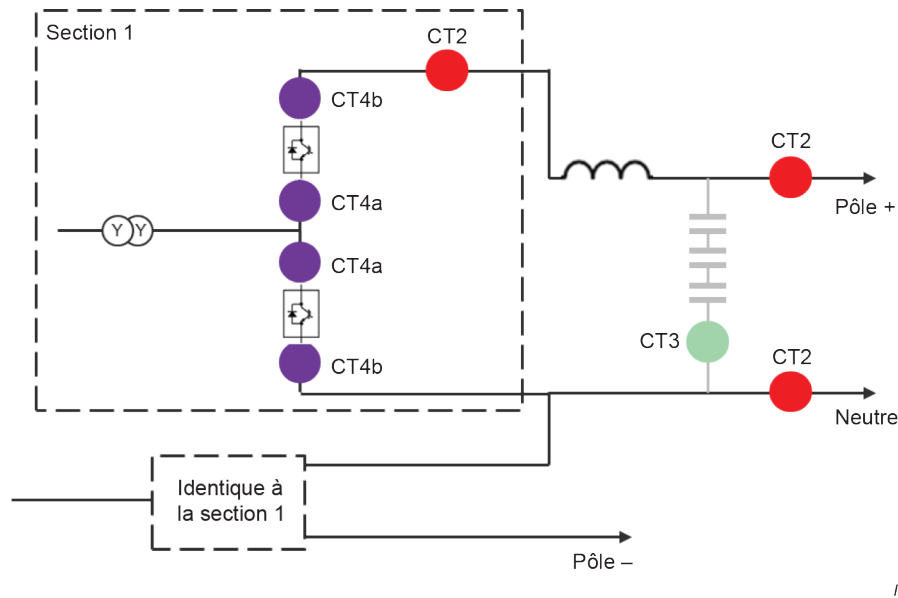
Les convertisseurs de source de tension (VSC) sont basés sur les convertisseurs à transistor. Ils se caractérisent par un flux de courant bidirectionnel et une polarité de tension unique. Des harmoniques de tension et de courant élevées existent jusqu'à des fréquences d'environ 20 kHz.

Il existe deux types de schémas VSC: à monopôle symétrique (utilisant un seul convertisseur) et à monopôle asymétrique ou à bipôle (un convertisseur pour chaque polarité).

Les deux schémas sont représentés dans la Figure 1402 et dans la Figure 1403.



**Figure 1402 – Schéma VSC — type à monopôle symétrique**



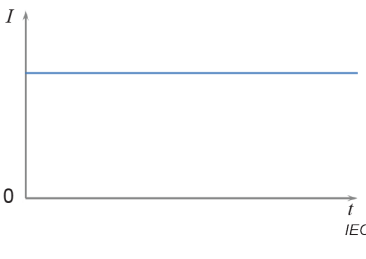
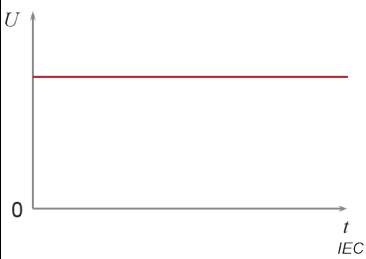

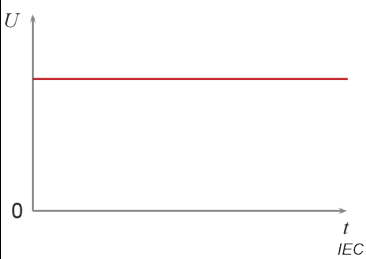
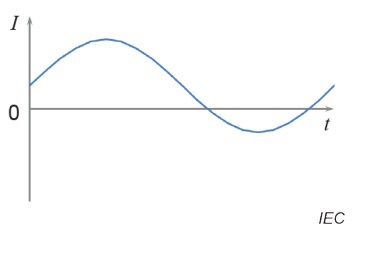
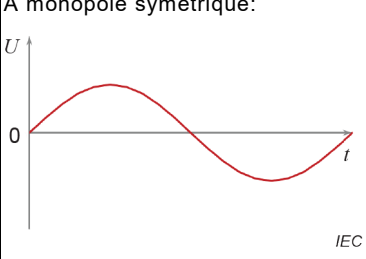
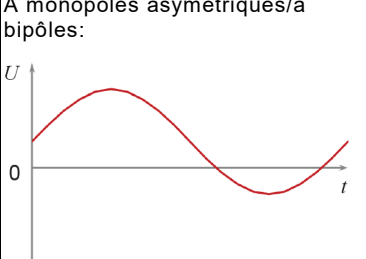
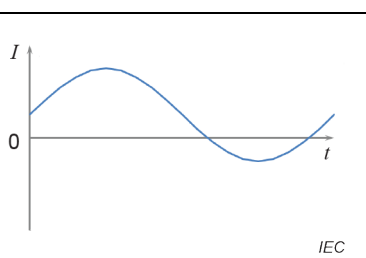
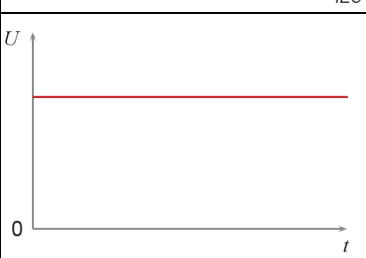
**Figure 1403 – Schéma — VSC type à monopôle asymétrique ou à bipôle**

Nous distinguons trois fonctions différentes de mesure du courant:

- CT4: mesure du courant dans les branches de transistor du convertisseur.  
Le transformateur de courant peut être placé avant (CT4a) ou après la branche du transistor (CT4b);
- CT2: mesure du courant du côté courant continu du convertisseur;
- CT3: mesure du courant dans le filtre côté courant continu (pas toujours présent dans ce schéma).

Le Tableau 1402 donne une vue d'ensemble des formes d'onde du courant et de la tension, ainsi que les principales caractéristiques des différentes applications du transformateur de courant.

**Tableau 1402 – Courant et tension dans les transformateurs de courant pour applications VSC**

|      | <b>Courant</b>  | <b>Tension</b>  | <b>Caractéristiques</b>  |
|------|---|---|--|
| CT2  |    |   | <p>Applications en courant continu pur</p> <p>Mesure d'une grande précision</p> <p>Mesure des harmoniques</p> <p>Utilisé à des fins de mesure, de commande et de protection</p> <p>Court temps de réponse à un échelon</p> |
| CT3  |    |   | <p>Contrainte de tension continue</p> <p>Courant continu = 0</p> <p>Mesure des harmoniques</p> <p>Utilisé principalement à des fins de protection</p>  |
| CT4a |   | <p>A monopôle symétrique:</p>  <p>A monopôles asymétriques/à bipôles:</p>  | <p>Tension alternative uniquement ou tension continue et tension alternative</p> <p>Courant continu et courant alternatif</p> <p>Mesure d'une grande précision</p> <p>Court temps de réponse à un échelon</p>              |
| CT4b |  |   | <p>Contrainte de tension continue</p> <p>Courant continu et courant alternatif</p> <p>Mesure d'une grande précision</p> <p>Court temps de réponse à un échelon</p>   |

## TRANSFORMATEURS DE MESURE –

### Partie 14: Exigences supplémentaires concernant les transformateurs de courant pour application en courant continu

#### 1 Domaine d'application

La présente partie de l'IEC 61869 couvre toutes les exigences particulières concernant les transformateurs de courant utilisés dans les applications en courant continu, quelle que soit la technologie utilisée. Le signal de sortie peut être analogique ou numérique.

Elle s'applique aux transformateurs de courant fabriqués récemment et utilisés pour des applications de mesure, de protection et/ou de commande sur des systèmes d'alimentation électrique en courant continu dont la tension assignée est supérieure à 1,5 kV.

La configuration générale d'un transformateur de mesure de faible puissance unipolaire est décrite à la Figure 601 de l'IEC 61869-6:2016.

Les transformateurs de courant destinés aux mesures de courant dans la branche du transistor de la valve VSC (dénommés CT4a et CT4b à la Figure 1403 et au Tableau 1402) ne sont pas couverts par le présent document et seront traités lors d'une prochaine révision.

#### 2 Références normatives

Les documents suivants cités dans le texte constituent, pour tout ou partie de leur contenu, des exigences du présent document. Pour les références datées, seule l'édition citée s'applique. Pour les références non datées, la dernière édition du document de référence s'applique (y compris les éventuels amendements).

L'Article 2 de l'IEC 61869-6:2016 s'applique, avec les ajouts et modifications suivants:

IEC TS 60815-4:2016, *Selection and dimensioning of high-voltage insulators intended for use in polluted conditions – Part 4: Insulators for DC systems* (disponible en anglais seulement)

IEC TS 61245:2015, *Artificial pollution tests on high-voltage ceramic and glass insulators to be used on DC systems* (disponible en anglais seulement)

IEC 61869-6:2016, *Transformateurs de mesure – Partie 6: Exigences générales supplémentaires concernant les transformateurs de mesure de faible puissance*

IEC 61869-9:2016, *Transformateurs de mesure – Partie 9: Interface numérique des transformateurs de mesure*