



# INTERNATIONAL STANDARD

# NORME INTERNATIONALE



---

**Fuel cell technologies –  
Part 8-201: Energy storage systems using fuel cell modules in reverse mode –  
Test procedures for the performance of power-to-power systems**

**Technologies des piles à combustible –  
Partie 8-201: Systèmes de stockage de l'énergie utilisant des modules à piles à  
combustible en mode inversé – Procédures d'essai pour la performance des  
systèmes électriques à électriques**

INTERNATIONAL  
ELECTROTECHNICAL  
COMMISSION

COMMISSION  
ELECTROTECHNIQUE  
INTERNATIONALE

---

ICS 27.070

ISBN 978-2-8322-7685-3

**Warning! Make sure that you obtained this publication from an authorized distributor.  
Attention! Veuillez vous assurer que vous avez obtenu cette publication via un distributeur agréé.**

## CONTENTS

FOREWORD.....	4
INTRODUCTION.....	6
1 Scope.....	7
2 Normative references .....	8
3 Terms, definitions and symbols .....	9
3.1 Terms and definitions.....	9
3.2 Symbols.....	13
4 Measurement instruments and measurement methods.....	14
4.1 General.....	14
4.2 Instrument uncertainty .....	15
4.3 Measurement plan .....	15
4.4 Environmental conditions .....	16
4.5 Maximum permissible variation in test operating conditions .....	17
5 System parameters.....	17
5.1 General.....	17
5.2 Electric energy storage capacity .....	17
5.3 Rated electric power input .....	18
5.4 Rated net electric power output.....	18
5.5 Roundtrip electrical efficiency .....	18
5.6 System response (step response time and ramp rate).....	18
5.6.1 Step response time.....	18
5.6.2 Ramp rate .....	19
5.7 Minimum switchover time .....	20
5.8 Quiescent state loss rate .....	20
5.9 Heat input rate .....	20
5.10 Recovered heat output rate.....	20
5.11 Acoustic noise level .....	20
5.12 Total harmonic distortion.....	20
5.13 Discharge water quality.....	21
6 Test methods and procedures .....	21
6.1 General.....	21
6.2 Electric energy storage capacity test.....	21
6.3 Rated electric power input test.....	22
6.4 Rated net electric power output test.....	22
6.5 Roundtrip electrical efficiency test .....	23
6.6 Other system performance test .....	23
6.6.1 System response test, step response time and ramp rate .....	23
6.6.2 Minimum switchover time test.....	25
6.6.3 Quiescent state loss rate test .....	25
6.6.4 Heat input rate test .....	26
6.6.5 Recovered heat output rate test.....	26
6.6.6 Acoustic noise level test .....	26
6.6.7 Total harmonic distortion test.....	27
6.6.8 Discharge water quality test.....	27
6.7 Component performance test .....	27
6.7.1 Electrolyser performance test .....	27

6.7.2	Hydrogen storage performance test .....	28
6.7.3	Fuel cell performance test .....	28
6.7.4	Water management system performance test .....	29
6.7.5	Battery performance test .....	29
6.7.6	Oxygen storage performance test .....	29
7	Test reports .....	29
7.1	General.....	29
7.2	Report items .....	29
7.3	Tested system data description.....	30
7.4	Test condition description .....	30
7.5	Test data description .....	30
7.6	Uncertainty evaluation .....	30
	Bibliography.....	31
	Figure 1 – System configuration of electric energy storage system using hydrogen – Type with electrolyser and fuel cell.....	7
	Figure 2 – System configuration of electric energy storage system using hydrogen – Type with reversible cell .....	8
	Figure 3 – Typical sequence of phases during the system operation .....	16
	Figure 4 – Step response time and ramp rate of EES system.....	19
	Figure 5 – Step response test .....	24
	Figure 6 – Minimum switch over time test .....	25
	Table 1 – Symbols .....	14
	Table 2 – Required steps before executing the measurement .....	16
	Table 3 – Example of document format of roundtrip electrical efficiency.....	23
	Table 4 – Additional parameters measured on the electrolyser or the reversible cell module in electrolysis mode.....	27
	Table 5 – Additional parameters measured on the hydrogen storage component .....	28
	Table 6 – Additional parameters measured on the fuel cell or the reversible cell module in fuel cell mode .....	28

INTERNATIONAL ELECTROTECHNICAL COMMISSION

**FUEL CELL TECHNOLOGIES –**

**Part 8-201: Energy storage systems using fuel cell modules in reverse mode – Test procedures for the performance of power-to-power systems**

FOREWORD

- 1) The International Electro technical Commission (IEC) is a worldwide organization for standardization comprising all national electro technical committees (IEC National Committees). The object of IEC is to promote international co-operation on all questions concerning standardization in the electrical and electronic fields. To this end and in addition to other activities, IEC publishes International Standards, Technical Specifications, Technical Reports, Publicly Available Specifications (PAS) and Guides (hereafter referred to as "IEC Publication(s)"). Their preparation is entrusted to technical committees; any IEC National Committee interested in the subject dealt with may participate in this preparatory work. International, governmental and non-governmental organizations liaising with the IEC also participate in this preparation. IEC collaborates closely with the International Organization for Standardization (ISO) in accordance with conditions determined by agreement between the two organizations.
- 2) The formal decisions or agreements of IEC on technical matters express, as nearly as possible, an international consensus of opinion on the relevant subjects since each technical committee has representation from all interested IEC National Committees.
- 3) IEC Publications have the form of recommendations for international use and are accepted by IEC National Committees in that sense. While all reasonable efforts are made to ensure that the technical content of IEC Publications is accurate, IEC cannot be held responsible for the way in which they are used or for any misinterpretation by any end user.
- 4) In order to promote international uniformity, IEC National Committees undertake to apply IEC Publications transparently to the maximum extent possible in their national and regional publications. Any divergence between any IEC Publication and the corresponding national or regional publication shall be clearly indicated in the latter.
- 5) IEC itself does not provide any attestation of conformity. Independent certification bodies provide conformity assessment services and, in some areas, access to IEC marks of conformity. IEC is not responsible for any services carried out by independent certification bodies.
- 6) All users should ensure that they have the latest edition of this publication.
- 7) No liability shall attach to IEC or its directors, employees, servants or agents including individual experts and members of its technical committees and IEC National Committees for any personal injury, property damage or other damage of any nature whatsoever, whether direct or indirect, or for costs (including legal fees) and expenses arising out of the publication, use of, or reliance upon, this IEC Publication or any other IEC Publications.
- 8) Attention is drawn to the normative references cited in this publication. Use of the referenced publications is indispensable for the correct application of this publication.
- 9) Attention is drawn to the possibility that some of the elements of this IEC Publication may be the subject of patent rights. IEC shall not be held responsible for identifying any or all such patent rights.

International Standard IEC 62282-8-201 has been prepared by IEC technical committee 105: Fuel cell technologies.

The text of this International Standard is based on the following documents:

FDIS	Report on voting
105/764/FDIS	105/777/RVD

Full information on the voting for the approval of this International Standard can be found in the report on voting indicated in the above table.

This document has been drafted in accordance with the ISO/IEC Directives, Part 2.

A list of all parts in the IEC 62282 series, published under the general title *Fuel cell technologies*, can be found on the IEC website.

The committee has decided that the contents of this document will remain unchanged until the stability date indicated on the IEC website under "<http://webstore.iec.ch>" in the data related to the specific document. At this date, the document will be

- reconfirmed,
- withdrawn,
- replaced by a revised edition, or
- amended.

**IMPORTANT – The 'colour inside' logo on the cover page of this publication indicates that it contains colours which are considered to be useful for the correct understanding of its contents. Users should therefore print this document using a colour printer.**

## INTRODUCTION

This part of IEC 62282 describes performance evaluation methods for electric energy storage systems using hydrogen that employ electrochemical reactions both for water/steam electrolysis and electric generation.

This document is intended for power to power systems which typically employ a set of electrolyser and fuel cell, or a reversible cell for devices of electric charge and discharge.

A typical targeting application of the electric energy storage systems using hydrogen is in the class of energy intensive electric energy storage. The systems are recognized as critically useful for the relatively long-term power storage operation, such as efficient storage and supply of the renewable power derived electric energy and grid stabilization.

IEC 62282-8 (all parts) aims to develop performance test methods for power storage and buffering systems based on electrochemical modules (combining electrolysis and fuel cells, in particular reversible cells), taking into consideration both options of re-electrification and substance (and heat) production for sustainable integration of renewable energy sources.

Under the general title *Energy storage systems using fuel cell modules in reverse mode*, the IEC 62282-8 series consists of the following parts:

- IEC 62282-8-101: *Test procedures for the performance of solid oxide single cells and stacks, including reversible operation*
- IEC 62282-8-102: *Test procedures for the performance of single cells and stacks with proton exchange membranes, including reversible operation*
- IEC 62282-8-103<sup>1</sup>: *Alkaline single cell and stack performance including reversible operation*
- IEC 62282-8-201: *Test procedures for the performance of power-to-power systems*
- IEC 62282-8-202<sup>2</sup>: *Power-to-power systems – Safety*
- IEC 62282-8-300 (all parts)<sup>3</sup>: *Power-to-substance systems*

As a priority dictated by the emerging needs for industry and opportunities for technological development, IEC 62282-8-101, IEC 62282-8-102 and IEC 62282-8-201 have been initiated jointly and firstly. These parts are presented as a package to highlight the need for an integrated approach as regards the system's application (i.e. a solution for energy storage) and its fundamental constituent components (i.e. fuel cells operated in reverse or reversing mode).

IEC 62282-8-103, IEC 62282-8-202 and IEC 62282-8-300 (all parts) are suggested but are left for initiation at a later stage.

---

1 Under consideration.

2 Under consideration.

3 Under consideration.

## FUEL CELL TECHNOLOGIES –

### Part 8-201: Energy storage systems using fuel cell modules in reverse mode – Test procedures for the performance of power-to-power systems

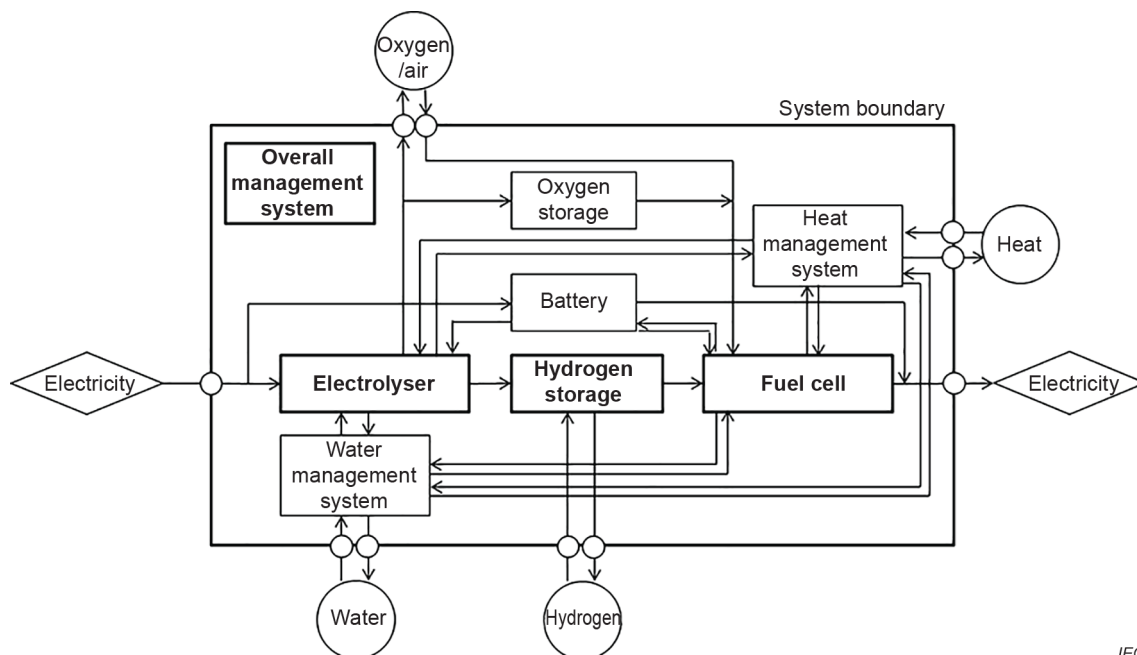
#### 1 Scope

This part of IEC 62282 defines the evaluation methods of typical performances for electric energy storage systems using hydrogen. This is applicable to the systems that use electrochemical reaction devices for both power charge and discharge. This document applies to systems that are designed and used for service and operation in stationary locations (indoor and outdoor).

The conceptual configurations of the electric energy storage systems using hydrogen are shown in Figure 1 and Figure 2. Figure 1 shows the system independently equipped with an electrolyser module and a fuel cell module. Figure 2 shows the system equipped with a reversible cell module. There are an electrolyser, a hydrogen storage and a fuel cell, or a reversible cell, a hydrogen storage and an overall management system (which may include a pressure management) as indispensable components. There may be a battery, an oxygen storage, a heat management system (which may include a heat storage) and a water management system (which may include a water storage) as optional components. The performance measurement is executed in the area surrounded by the outside thick solid line square (system boundary).

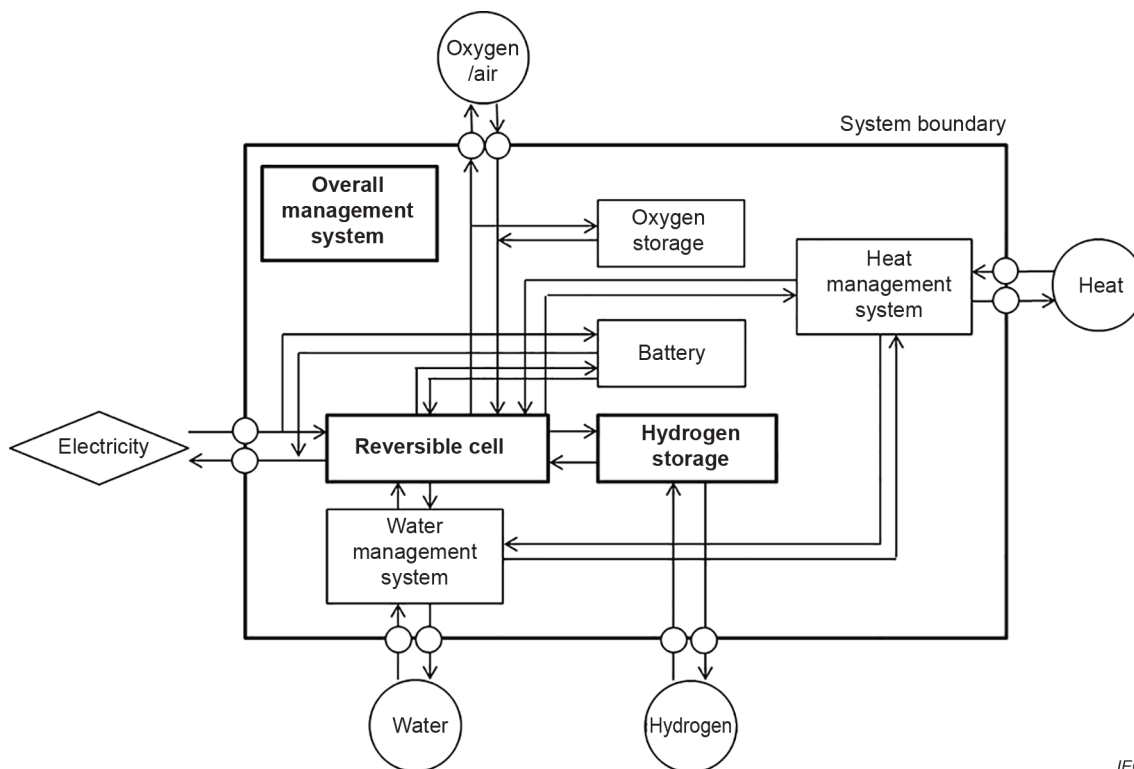
NOTE In the context of this document, the term "reversible" does not refer to the thermodynamic meaning of an ideal process. It is common practice in the fuel cell community to call the operation mode of a cell that alternates between fuel cell mode and electrolysis mode "reversible".

This document is intended to be used for data exchanges in commercial transactions between the system manufacturers and customers. Users of this document can selectively execute test items suitable for their purposes from those described in this document.



IEC

Figure 1 – System configuration of electric energy storage system using hydrogen – Type with electrolyser and fuel cell



IEC

**Figure 2 – System configuration of electric energy storage system using hydrogen  
– Type with reversible cell**

## 2 Normative references

The following documents are referred to in the text in such a way that some or all of their content constitutes requirements of this document. For dated references, only the edition cited applies. For undated references, the latest edition of the referenced document (including any amendments) applies.

IEC 61427-1, *Secondary cells and batteries for renewable energy storage – General requirements and methods of test – Part 1: Photovoltaic off-grid application*

IEC 61427-2, *Secondary cells and batteries for renewable energy storage – General requirements and methods of test – Part 2: On-grid applications*

IEC 62282-3-200, *Fuel cell technologies – Part 3-200: Stationary fuel cell power systems – Performance test methods*

IEC 62282-3-201, *Fuel cell technologies – Part 3-201: Stationary fuel cell power systems – Performance test methods for small fuel cell power systems*

IEC 62282-8-101, *Fuel cell technologies – Part 8-101: Energy storage systems using fuel cell modules in reverse mode – Solid oxide single cell and stack performance including reversible operation*

IEC 62282-8-102, *Fuel cell technologies – Part 8-102: Energy storage systems using fuel cell modules in reverse mode – Test procedures for PEM single cell and stack performance including reversible operation*

IEC 62933-2-1:2017, *Electrical energy storage (EES) systems – Part 2-1: Unit parameters and testing methods – General specification*



ISO/IEC Guide 98-3, *Uncertainty of measurement – Part 3: Guide to the expression of uncertainty in measurement (GUM:1995)*

ISO 3746, *Acoustics – Determination of sound power levels and sound energy levels of noise sources using sound pressure – Survey method using an enveloping measurement surface over a reflecting plane*

ISO 4064-1, *Water meters for cold potable water and hot water – Part 1: Metrological and technical requirements*

ISO 4064-2, *Water meters for cold potable water and hot water – Part 2: Test methods*

ISO 7888, *Water quality – Determination of electrical conductivity*

ISO 9614-1, *Acoustics – Determination of sound power levels of noise sources using sound intensity – Part 1: Measurement at discrete points*

ISO 11204, *Acoustics – Noise emitted by machinery and equipment – Determination of emission sound pressure levels at a work station and at other specified positions applying accurate environmental corrections*

ISO 16111, *Transportable gas storage devices – Hydrogen absorbed in reversible metal hydride*

ISO 19880-1, *Gaseous hydrogen – Fuelling stations – Part 1: General requirements*

ISO 19881, *Gaseous hydrogen – Land vehicle fuel containers*

ISO 19882, *Gaseous hydrogen – Thermally activated pressure relief devices for compressed hydrogen vehicle fuel containers*

ISO 19884, *Gaseous hydrogen – Cylinders and tubes for stationary storage*

ISO 22734-1, *Hydrogen generators using water electrolysis process – Part 1: Industrial and commercial applications*

ISO 22734-2, *Hydrogen generators using water electrolysis process – Part 2: Residential applications*

## SOMMAIRE

AVANT-PROPOS .....	36
INTRODUCTION.....	38
1 Domaine d'application .....	39
2 Références normatives .....	41
3 Termes, définitions et symboles .....	42
3.1 Termes et définitions .....	42
3.2 Symboles .....	46
4 Instruments et méthodes de mesure .....	47
4.1 Généralités .....	47
4.2 Incertitude des instruments .....	47
4.3 Plan de mesure.....	48
4.4 Conditions d'environnement.....	49
4.5 Variation maximale admissible des conditions de fonctionnement d'essai .....	49
5 Paramètres du système .....	49
5.1 Généralités .....	49
5.2 Capacité de stockage de l'énergie électrique .....	50
5.3 Puissance électrique d'entrée assignée .....	50
5.4 Puissance électrique nette de sortie assignée.....	51
5.5 Rendement électrique aller-retour .....	51
5.6 Réponse du système (temps de réponse à un échelon et taux de rampe) .....	51
5.6.1 Temps de réponse à un échelon .....	51
5.6.2 Taux de rampe .....	52
5.7 Temps de commutation minimal .....	53
5.8 Taux de perte à l'état de repos.....	53
5.9 Débit thermique .....	53
5.10 Débit de chaleur produite récupérée .....	53
5.11 Niveau du bruit acoustique.....	53
5.12 Distorsion harmonique totale .....	53
5.13 Qualité de l'eau d'écoulement .....	54
6 Méthodes et procédures d'essai .....	54
6.1 Généralités .....	54
6.2 Essai de capacité de stockage de l'énergie électrique.....	54
6.3 Essai de puissance électrique d'entrée assignée .....	55
6.4 Essai de puissance électrique nette de sortie assignée.....	55
6.5 Essai de rendement électrique aller-retour .....	56
6.6 Autre essai des performances du système .....	57
6.6.1 Essai de la réponse du système, temps de réponse à un échelon et taux de rampe .....	57
6.6.2 Essai du temps de commutation minimal .....	58
6.6.3 Essai du taux de perte à l'état de repos .....	59
6.6.4 Essai du débit thermique .....	59
6.6.5 Essai du débit de chaleur produite récupérée .....	60
6.6.6 Essai du niveau de bruit acoustique.....	60
6.6.7 Essai de la distorsion harmonique totale.....	60
6.6.8 Essai de la qualité de l'eau d'écoulement .....	60
6.7 Essai des performances des composants .....	61

6.7.1	Essai des performances de l'électrolyseur .....	61
6.7.2	Essai des performances de stockage de l'hydrogène .....	61
6.7.3	Essai des performances des piles à combustible .....	62
6.7.4	Essais des performances du système de gestion de l'eau.....	62
6.7.5	Essai des performances de la batterie .....	63
6.7.6	Essai des performances de stockage de l'oxygène .....	63
7	Rapports d'essai.....	63
7.1	Généralités .....	63
7.2	Éléments contenus dans le rapport .....	63
7.3	Description des données relatives au système soumis à l'essai .....	64
7.4	Description des conditions d'essai .....	64
7.5	Description des données d'essai.....	64
7.6	Évaluation de l'incertitude .....	64
	Bibliographie.....	65
	Figure 1 – Configuration d'un système de stockage de l'énergie électrique utilisant de l'hydrogène – Type de système avec électrolyseur et pile à combustible.....	40
	Figure 2 – Configuration d'un système de stockage de l'énergie électrique utilisant de l'hydrogène – Type de système avec cellule réversible .....	40
	Figure 3 – Séquence typique de phases pendant le fonctionnement du système.....	48
	Figure 4 – Temps de réponse à un échelon et taux de rampe d'un système EES .....	52
	Figure 5 – Essai de réponse à un échelon .....	58
	Figure 6 – Essai du temps de commutation minimal.....	59
	Tableau 1 – Symboles .....	46
	Tableau 2 – Étapes exigées préalables au mesurage.....	49
	Tableau 3 – Exemple de format de document relatif au rendement électrique aller-retour .....	57
	Tableau 4 – Paramètres supplémentaires mesurés sur l'électrolyseur ou le module à cellule réversible en mode électrolyse .....	61
	Tableau 5 – Paramètres supplémentaires mesurés sur le composant de stockage de l'hydrogène .....	62
	Tableau 6 – Paramètres supplémentaires mesurés sur la pile à combustible ou le module à cellule réversible en mode pile à combustible .....	62

## COMMISSION ÉLECTROTECHNIQUE INTERNATIONALE

### TECHNOLOGIES DES PILES À COMBUSTIBLE –

#### **Partie 8-201: Systèmes de stockage de l'énergie utilisant des modules à piles à combustible en mode inversé – Procédures d'essai pour la performance des systèmes électriques à électrolyseurs**

#### AVANT-PROPOS

- 1) La Commission Electrotechnique Internationale (IEC) est une organisation mondiale de normalisation composée de l'ensemble des comités électrotechniques nationaux (Comités nationaux de l'IEC). L'IEC a pour objet de favoriser la coopération internationale pour toutes les questions de normalisation dans les domaines de l'électricité et de l'électronique. À cet effet, l'IEC – entre autres activités – publie des Normes internationales, des Spécifications techniques, des Rapports techniques, des Spécifications accessibles au public (PAS) et des Guides (ci-après dénommés "Publication(s) de l'IEC"). Leur élaboration est confiée à des comités d'études, aux travaux desquels tout Comité national intéressé par le sujet traité peut participer. Les organisations internationales, gouvernementales et non gouvernementales, en liaison avec l'IEC, participent également aux travaux. L'IEC collabore étroitement avec l'Organisation Internationale de Normalisation (ISO), selon des conditions fixées par accord entre les deux organisations.
- 2) Les décisions ou accords officiels de l'IEC concernant les questions techniques représentent, dans la mesure du possible, un accord international sur les sujets étudiés, étant donné que les Comités nationaux de l'IEC intéressés sont représentés dans chaque comité d'études.
- 3) Les Publications de l'IEC se présentent sous la forme de recommandations internationales et sont agréées comme telles par les Comités nationaux de l'IEC. Tous les efforts raisonnables sont entrepris afin que l'IEC s'assure de l'exactitude du contenu technique de ses publications; l'IEC ne peut pas être tenue responsable de l'éventuelle mauvaise utilisation ou interprétation qui en est faite par un quelconque utilisateur final.
- 4) Dans le but d'encourager l'uniformité internationale, les Comités nationaux de l'IEC s'engagent, dans toute la mesure possible, à appliquer de façon transparente les Publications de l'IEC dans leurs publications nationales et régionales. Toutes divergences entre toutes Publications de l'IEC et toutes publications nationales ou régionales correspondantes doivent être indiquées en termes clairs dans ces dernières.
- 5) L'IEC elle-même ne fournit aucune attestation de conformité. Des organismes de certification indépendants fournissent des services d'évaluation de conformité et, dans certains secteurs, accèdent aux marques de conformité de l'IEC. L'IEC n'est responsable d'aucun des services effectués par les organismes de certification indépendants.
- 6) Tous les utilisateurs doivent s'assurer qu'ils sont en possession de la dernière édition de cette publication.
- 7) Aucune responsabilité ne doit être imputée à l'IEC, à ses administrateurs, employés, auxiliaires ou mandataires, y compris ses experts particuliers et les membres de ses comités d'études et des Comités nationaux de l'IEC, pour tout préjudice causé en cas de dommages corporels et matériels, ou de tout autre dommage de quelque nature que ce soit, directe ou indirecte, ou pour supporter les coûts (y compris les frais de justice) et les dépenses découlant de la publication ou de l'utilisation de cette Publication de l'IEC ou de toute autre Publication de l'IEC, ou au crédit qui lui est accordé.
- 8) L'attention est attirée sur les références normatives citées dans cette publication. L'utilisation de publications référencées est obligatoire pour une application correcte de la présente publication.
- 9) L'attention est attirée sur le fait que certains des éléments de la présente Publication de l'IEC peuvent faire l'objet de droits de brevet. L'IEC ne saurait être tenue pour responsable de ne pas avoir identifié de tels droits de brevets et de ne pas avoir signalé leur existence.

La Norme internationale IEC 62282-8-201 a été établie par le comité d'études 105 de l'IEC: Technologies des piles à combustible.

Le texte de cette Norme internationale est issu des documents suivants:

FDIS	Rapport de vote
105/764/FDIS	105/777/RVD

Le rapport de vote indiqué dans le tableau ci-dessus donne toute information sur le vote ayant abouti à l'approbation de cette Norme internationale.

Ce document a été rédigé selon les Directives ISO/IEC, Partie 2.

Une liste de toutes les parties de la série IEC 62282, publiées sous le titre général *Technologies des piles à combustible*, peut être consultée sur le site web de l'IEC.

Le comité a décidé que le contenu de ce document ne sera pas modifié avant la date de stabilité indiquée sur le site web de l'IEC sous "<http://webstore.iec.ch>" dans les données relatives au document recherché. À cette date, le document sera

- reconduit,
- supprimé,
- remplacé par une édition révisée, ou
- amendé.

**IMPORTANT – Le logo "*colour inside*" qui se trouve sur la page de couverture de cette publication indique qu'elle contient des couleurs qui sont considérées comme utiles à une bonne compréhension de son contenu. Les utilisateurs devraient, par conséquent, imprimer cette publication en utilisant une imprimante couleur.**

## INTRODUCTION

La présente partie de l'IEC 62282 décrit les méthodes d'évaluation des performances des systèmes de stockage de l'énergie électrique utilisant de l'hydrogène et recourant à des réactions électrochimiques tant pour l'électrolyse de l'eau/vapeur que pour la production d'électricité.

Le présent document est destiné aux systèmes électriques à électrolyseur-pile à combustible ou une cellule réversible pour les dispositifs de charge et de décharge électriques.

La classe de stockage de l'énergie électrique à forte intensité énergétique constitue une application cible type des systèmes de stockage de l'énergie électrique utilisant de l'hydrogène. Il est admis que les systèmes sont extrêmement utiles pour le stockage de l'énergie électrique de relativement longue durée, tel que le stockage efficace et la fourniture en énergie électrique issue de l'énergie renouvelable et la stabilisation du réseau.

L'IEC 62282-8 (toutes les parties) a pour but le développement de méthodes d'essai des performances pour les systèmes de stockage de l'énergie et les systèmes tampons fondés sur des modules électrochimiques (qui combinent des piles à combustible et à électrolyse, en particulier des cellules réversibles), en tenant compte des options de réélectrification et de production de substance (et de chaleur) pour l'intégration durable des sources d'énergie renouvelables.

L'IEC 62282-8 comprend les parties suivantes, présentées sous le titre général *Systèmes de stockage de l'énergie utilisant des modules à piles à combustible en mode inversé*:

- IEC 62282-8-101: *Procédures d'essai pour la performance des cellules élémentaires et des piles à oxyde solide, comprenant le fonctionnement réversible*
- IEC 62282-8-102: *Procédures d'essai pour la performance des cellules élémentaires et des piles à membrane échangeuse de protons, comprenant le fonctionnement réversible*
- IEC 62282-8-103<sup>1</sup>: *Alkaline single cell and stack performance including reversible operation* (disponible en anglais seulement)
- IEC 62282-8-201: *Procédure d'essai pour la performance des systèmes électriques à électrolyse*
- IEC 62282-8-202<sup>2</sup>: *Power-to-power systems – Safety* (disponible en anglais seulement)
- IEC 62282-8-300 (toutes les parties)<sup>3</sup>: *Power-to-substance systems* (disponible en anglais seulement)

L'IEC 62282-8-101, l'IEC 62282-8-102 et l'IEC 62282-8-201, constituant une priorité dictée par les besoins émergents des industries et par les possibilités de développement techniques, ont été initiées conjointement et en premier lieu. Ces parties sont présentées ensemble afin de souligner la nécessité d'une approche intégrée relative à l'application du système (c'est-à-dire une solution pour le stockage de l'énergie) et ses composants fondamentaux (c'est-à-dire les piles à combustible fonctionnant en mode inversé ou par inversion).

L'IEC 62282-8-103, l'IEC 62282-8-202 et l'IEC 62282-8-300 (toutes les parties) sont proposées et laissées comme amorce à une étape ultérieure.

---

1 À l'étude.

2 À l'étude.

3 À l'étude.

## TECHNOLOGIES DES PILES À COMBUSTIBLE –

### Partie 8-201: Systèmes de stockage de l'énergie utilisant des modules à piles à combustible en mode inversé – Procédures d'essai pour la performance des systèmes électriques à électriques

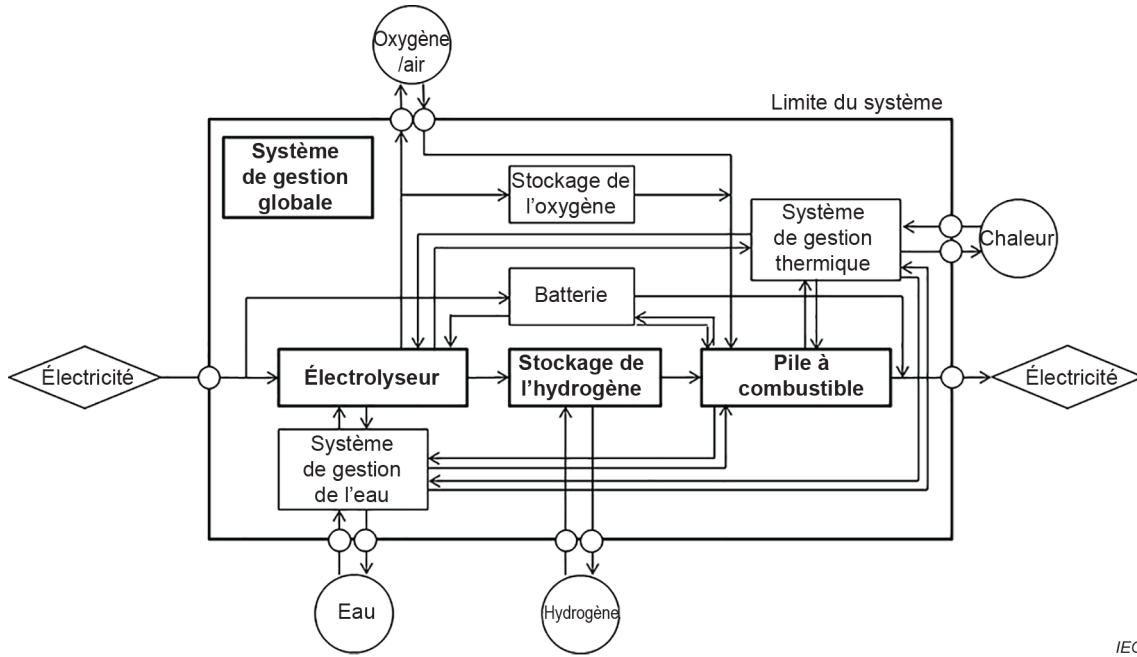
#### 1 Domaine d'application

La présente partie de l'IEC 62282 définit les méthodes d'évaluation des performances typiques des systèmes de stockage de l'énergie électrique utilisant de l'hydrogène. Ces méthodes s'appliquent aux systèmes qui utilisent des dispositifs à réaction électrochimique à la fois pour la charge électrique et la décharge électrique. Le présent document s'applique aux systèmes conçus et utilisés pour l'entretien et le fonctionnement dans des emplacements stationnaires (intérieur et extérieur).

La Figure 1 et la Figure 2 représentent les configurations conceptuelles des systèmes de stockage de l'énergie électrique utilisant de l'hydrogène. La Figure 1 présente un système indépendant équipé d'un module électrolyseur et d'un module à pile à combustible. La Figure 2 représente le système équipé d'un module à cellule réversible. Un électrolyseur, un système de stockage de l'hydrogène et une pile à combustible, ou une cellule réversible, un système de stockage de l'hydrogène et un système de gestion global (pouvant inclure la gestion de la pression) constituent les composants indispensables. Une batterie, un système de stockage de l'oxygène, un système de gestion thermique (pouvant inclure le stockage thermique) et un système de gestion de l'eau (pouvant inclure le stockage de l'eau) constituent les composants facultatifs. Le mesurage des performances s'effectue dans la zone délimitée par le carré extérieur à traits pleins épais (limites du système).

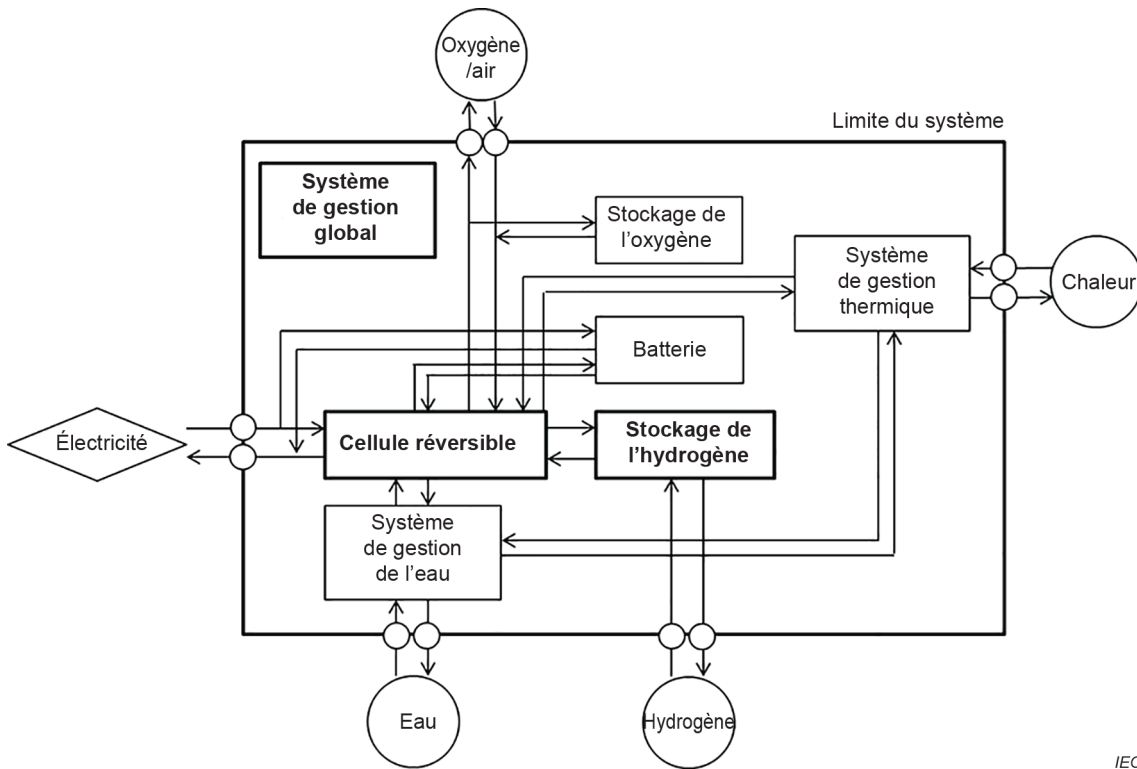
NOTE Dans le contexte du présent document, le terme "réversible" ne fait pas référence à la signification thermodynamique d'un procédé théorique. L'attribution du qualificatif "réversible" est pratique courante dans le secteur des piles à combustible dont le fonctionnement d'une cellule varie entre le mode pile à combustible et le mode électrolyse.

Le présent document est destiné à être utilisé pour les échanges de données dans le cadre des transactions commerciales entre les fabricants des systèmes et les clients. Les utilisateurs du présent document peuvent choisir les éléments d'essai à exécuter selon leurs objectifs à partir de ceux décrits dans le présent document.



IEC

Figure 1 – Configuration d'un système de stockage de l'énergie électrique utilisant de l'hydrogène – Type de système avec électrolyseur et pile à combustible



IEC

Figure 2 – Configuration d'un système de stockage de l'énergie électrique utilisant de l'hydrogène – Type de système avec cellule réversible



## 2 Références normatives

Les documents suivants sont cités dans le texte de sorte qu'ils constituent, pour tout ou partie de leur contenu, des exigences du présent document. Pour les références datées, seule l'édition citée s'applique. Pour les références non datées, la dernière édition du document de référence s'applique (y compris les éventuels amendements).

IEC 61427-1, *Accumulateurs pour le stockage de l'énergie renouvelable – Exigences générales et méthodes d'essais – Partie 1: Applications photovoltaïques hors réseaux*

IEC 61427-2, *Accumulateurs pour le stockage de l'énergie renouvelable – Exigences générales et méthodes d'essais – Partie 2: Applications en réseau*

IEC 62282-3-200, *Technologies des piles à combustible – Partie 3-200: Systèmes à piles à combustible stationnaires – Méthodes d'essai des performances*

IEC 62282-3-201, *Technologies des piles à combustible – Partie 3-201: Systèmes à piles à combustible stationnaires – Méthodes d'essai des performances pour petits systèmes à piles à combustible*

IEC 62282-8-101, *Technologies des piles à combustible – Partie 8-101: Système de stockage de l'énergie utilisant des modules à piles à combustible en mode inversé – Procédures d'essai pour les cellules élémentaires à oxyde solide et performance des piles comprenant le fonctionnement réversible*

IEC 62282-8-102, *Technologies des piles à combustible – Partie 8-102: Systèmes de stockage de l'énergie utilisant des modules à piles à combustible en mode inversé – Procédures d'essai pour les cellules élémentaires à membrane échangeuse de protons et performance des piles comprenant le fonctionnement régénératif*

IEC 62933-2-1:2017, *Systèmes de stockage de l'énergie électrique (EES) – Partie 2-1: Paramètres unitaires et méthodes d'essai – Spécifications générales*

Guide ISO/IEC 98-3:2008, *Incertitude de mesure – Partie 3: Guide pour l'expression de l'incertitude de mesure (GUM:1995)*

ISO 3746, *Acoustique – Détermination des niveaux de puissance acoustique et des niveaux d'énergie acoustique émis par les sources de bruit à partir de la pression acoustique – Méthode de contrôle employant une surface de mesure enveloppante au-dessus d'un plan réfléchissant*

ISO 4064-1, *Compteurs d'eau potable froide et d'eau chaude – Partie 1: Exigences métrologiques et techniques*

ISO 4064-2, *Compteurs d'eau potable froide et d'eau chaude – Partie 2: Méthodes d'essai*

ISO 7888, *Qualité de l'eau – Détermination de la conductivité électrique*

ISO 9614-1, *Acoustique – Détermination par intensimétrie des niveaux de puissance acoustique émis par les sources de bruit – Partie 1: Mesurages par points*

ISO 11204, *Acoustique – Bruit émis par les machines et équipements – Détermination des niveaux de pression acoustique d'émission au poste de travail et en d'autres positions spécifiées en appliquant des corrections d'environnement exactes*

ISO 16111, *Transportable gas storage devices – Hydrogen absorbed in reversible metal hydride* (disponible en anglais seulement)

ISO 19880-1, *Gaseous hydrogen – Fuelling stations – Part 1: General requirements* (disponible en anglais seulement)

ISO 19881, *Gaseous hydrogen – Land vehicle fuel containers* (disponible en anglais seulement)

ISO 19882, *Gaseous hydrogen – Thermally activated pressure relief devices for compressed hydrogen vehicle fuel containers* (disponible en anglais seulement)

ISO 19884, *Hydrogène gazeux – Bouteilles et tubes pour stockage stationnaire*

ISO 22734-1, *Générateurs d'hydrogène utilisant le procédé d'électrolyse de l'eau – Partie 1: Applications industrielles et commerciales*

ISO 22734-2, *Hydrogen generators using water electrolysis process – Part 2: Residential applications* (disponible en anglais seulement)