

# INTERNATIONAL STANDARD

# IEC 62330-1

First edition  
2003-05

---

---

## Helical-scan digital video cassette recording system using 12,65 mm (0,5 in) magnetic tape – Format HD-D5 –

### Part 1: VTR specifications

© IEC 2003 — Copyright - all rights reserved

No part of this publication may be reproduced or utilized in any form or by any means, electronic or mechanical, including photocopying and microfilm, without permission in writing from the publisher.

International Electrotechnical Commission, 3, rue de Varembe, PO Box 131, CH-1211 Geneva 20, Switzerland  
Telephone: +41 22 919 02 11 Telefax: +41 22 919 03 00 E-mail: [inmail@iec.ch](mailto:inmail@iec.ch) Web: [www.iec.ch](http://www.iec.ch)



Commission Electrotechnique Internationale  
International Electrotechnical Commission  
Международная Электротехническая Комиссия

PRICE CODE

**XB**

*For price, see current catalogue*

## CONTENTS

FOREWORD .....	5
1 Scope .....	7
2 Normative references.....	9
3 Environment and test conditions .....	9
3.1 Environment .....	9
3.2 Reference tape .....	9
3.3 Calibration tape .....	9
4 Video tape .....	10
4.1 Base .....	10
4.2 Width.....	10
4.3 Width fluctuation.....	10
4.4 Tape thickness .....	10
4.5 Transmissivity.....	10
4.6 Offset yield strength .....	10
4.7 Magnetic coating .....	10
4.8 Coating coercivity .....	10
4.9 Particle orientation.....	10
5 Helical recordings .....	11
5.1 Tape speed .....	11
5.2 Record location and dimensions .....	11
5.3 Helical track record tolerance zones .....	14
5.4 Relative positions of recorded information .....	15
5.5 Gap azimuth .....	15
5.6 Transport and scanner.....	16
6 Programme track data.....	19
6.1 Introduction .....	19
6.2 Labelling convention .....	19
6.3 Sector details .....	19
6.4 Edit gaps .....	27
6.5 Channel code .....	27
6.6 Magnetization .....	39
7 Video interface .....	40
8 Audio interface .....	40
8.1 Encoding parameters.....	40
8.2 Digital signal interface .....	40
9 Video processing .....	40
9.1 Introduction .....	40
9.2 Recorded data.....	40
9.3 Channel and video block distribution.....	42
9.4 Word data arrangement .....	42
9.5 Video randomize.....	43
9.6 Outer error protection .....	43
9.7 Field data array .....	43
9.8 Order of transmission to inner coding .....	45

10	Audio processing .....	45
10.1	Introduction .....	45
10.2	Source coding.....	45
10.3	Source processing .....	48
10.4	Auxiliary words .....	52
10.5	Outer error protection .....	56
10.6	Inner protection .....	57
10.7	Order of transmission to inner coding .....	57
10.8	Channel code .....	57
10.9	Allocation of audio sectors.....	57
11	Longitudinal tracks.....	58
11.1	Relative timing.....	58
11.2	Control track.....	58
11.3	Cue record.....	59
11.4	Time and control code record .....	59
	Annex A (normative) Tape tension .....	60
	Annex B (normative) Cross-tape track measurement technique.....	61
	Annex C (normative) Track pattern during insert editing .....	65
	Bibliography.....	66
	Figure 1 – Record block diagram.....	8
	Figure 2 – Playback block diagram.....	8
	Figure 3 – Location and dimensions of recorded tracks .....	12
	Figure 4 – Location of cue and time and control code track record .....	13
	Figure 5 – Location and dimensions of tolerance zones of helical track record .....	15
	Figure 6 – A possible scanner configuration .....	17
	Figure 7 – A possible longitudinal head location and tape wrap.....	18
	Figure 8 – Sector arrangement on helical track .....	19
	Figure 9 – Sync block format.....	20
	Figure 10 – Sync block identification format .....	21
	Figure 11 – Track, segment and field numbers .....	22
	Figure 12 – Sync block number .....	23
	Figure 13 – Sector preamble and postamble .....	26
	Figure 14 – Reconfigured data .....	41
	Figure 15 – Channel and video block distribution .....	42
	Figure 16 – Field data array .....	44
	Figure 17 – Audio data block field array .....	47
	Figure 18 – Audio data block layout .....	50
	Figure 19 – Audio data block arrangement .....	51
	Figure 20 – Digital audio word to byte conversion .....	52
	Figure 21 – Audio data block auxiliary data .....	53
	Figure 22 – Audio channel arrangement.....	57
	Figure 23 – Recorded control record waveform timing.....	58

Figure B.1 – Correction factors (actual tape speed and tension).....	63
Figure B.2 – Cross-tape measurement technique .....	63
Figure B.3 – Track location error plot (example).....	64
Figure C.1 – A typical pattern during insert editing .....	65
Table 1 – Record location and dimensions .....	14
Table 2 – Parameters for a possible scanner design .....	16
Table 3 – 8-14 modulation ( $CDS \geq 0$ ) .....	29
Table 4 – 8-14 modulation ( $CDS \leq 0$ ) .....	34
Table 5 – Priority of modulation code selection (end DSV = -2) .....	39
Table 6 – Priority of modulation code selection (end DSV = +2) .....	39
Table 7 – Data rate and wavelength .....	39
Table 8 – Signal format information.....	41
Table 9 – AES status data (Byte 0) .....	48
Table 10 – AES status data (Byte 1).....	48
Table 11 – Audio data word mode .....	51
Table 12 – Channel use control word .....	54
Table 13 – Pre-emphasis control word .....	54
Table 14 – Word mode control word .....	55
Table 15 – FNCT mode .....	55
Table B.1 – Nomenclature and calculation of track location error .....	62

INTERNATIONAL ELECTROTECHNICAL COMMISSION

**HELICAL-SCAN DIGITAL VIDEO CASSETTE RECORDING SYSTEM  
USING 12,65 mm (0,5 in) MAGNETIC TAPE – FORMAT HD-D5 –**

**Part 1: VTR specifications**

FOREWORD

- 1) The IEC (International Electrotechnical Commission) is a worldwide organization for standardization comprising all national electrotechnical committees (IEC National Committees). The object of the IEC is to promote international co-operation on all questions concerning standardization in the electrical and electronic fields. To this end and in addition to other activities, the IEC publishes International Standards. Their preparation is entrusted to technical committees; any IEC National Committee interested in the subject dealt with may participate in this preparatory work. International, governmental and non-governmental organizations liaising with the IEC also participate in this preparation. The IEC collaborates closely with the International Organization for Standardization (ISO) in accordance with conditions determined by agreement between the two organizations.
- 2) The formal decisions or agreements of the IEC on technical matters express, as nearly as possible, an international consensus of opinion on the relevant subjects since each technical committee has representation from all interested National Committees.
- 3) The documents produced have the form of recommendations for international use and are published in the form of standards, technical specifications, technical reports or guides and they are accepted by the National Committees in that sense.
- 4) In order to promote international unification, IEC National Committees undertake to apply IEC International Standards transparently to the maximum extent possible in their national and regional standards. Any divergence between the IEC Standard and the corresponding national or regional standard shall be clearly indicated in the latter.
- 5) The IEC provides no marking procedure to indicate its approval and cannot be rendered responsible for any equipment declared to be in conformity with one of its standards.
- 6) Attention is drawn to the possibility that some of the elements of this International Standard may be the subject of patent rights. The IEC shall not be held responsible for identifying any or all such patent rights.

International Standard IEC 62330-1 has been prepared by Technical Area 6: Higher data rate storage media and equipment of IEC technical committee 100: Audio, video and multimedia systems and equipment.

It was submitted to the national committees for voting under the Fast Track Procedure as the following documents:

CDV	Report on voting
100/504/CDV	100/603/RVC

Full information on the voting for the approval of this standard can be found in the report on voting indicated in the above table.

This publication has been drafted in accordance with the ISO/IEC Directives, Part 2.

The committee has decided that the contents of this publication will remain unchanged until 2008. At this date, the publication will be

- reconfirmed;
- withdrawn;
- replaced by a revised edition, or
- amended.

IEC 62330 consists of the following parts, under the general title *Helical-scan digital video cassette recording system using 12,65 mm (0,5 in) magnetic tape – Format HD-D5*.

Part 1: VTR specifications

Part 2: Compression format

Part 3: Data stream format

This part 1 describes the VTR specifications which are tape, magnetization, helical recording, modulation method and basic system data for high definition video compressed data on 29,97 or 59,94 frame rate.

Part 2 describes the specifications for encoding process and data format for 1080i and 720p systems.

Part 3 describes the specifications for transmission of HD-D5 compressed video and audio data stream over 360 Mb/s serial digital interface.

# HELICAL-SCAN DIGITAL VIDEO CASSETTE RECORDING SYSTEM USING 12,65 mm (0,5 in) MAGNETIC TAPE – FORMAT HD-D5 –

## Part 1: VTR specifications

### 1 Scope

This part of IEC 62330 specifies the content, format, and recording method of the data blocks containing HD compressed video data defined in part 2, audio, and associated data which form the helical records on 12,65 mm (0,5 in) tape in cassettes as specified in IEC 61835.

In addition, this standard specifies the content, format, and recording method of the longitudinal record containing tracking information for the scanning head associated with the helical records, and also the longitudinal cue audio, and time and control code.

One video channel of HD compressed video data and four independent audio channels are recorded in the digital format. Each of these channels is designed to be capable of independent editing.

The HD compressed video data are derived from the following HD video signal:

- 1080 line / 59,94 Hz field frequency interlace system
- 720 line / 59,94 Hz frame frequency progressive system

Figure 1 and Figure 2 show block diagrams of the processes involved in the recorder.

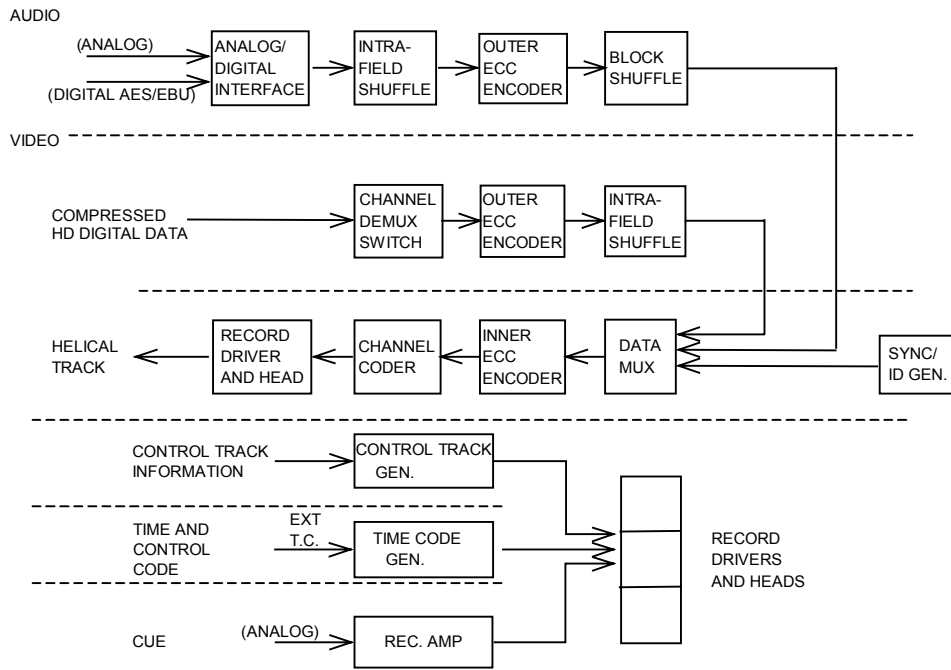


Figure 1 – Record block diagram

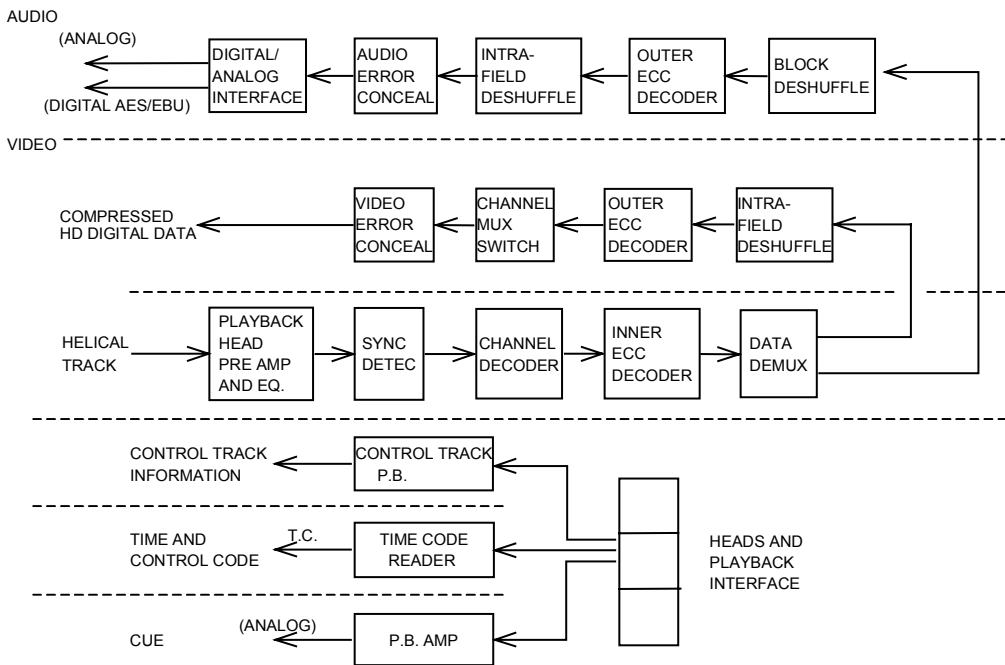


Figure 2 – Playback block diagram



## 2 Normative references

The following referenced documents are indispensable for the application of this document. For dated references, only the edition cited applies. For undated references, the latest edition of the referenced document (including any amendments) applies.

IEC 60461:2001, *Time and control code for video tape recorders*

IEC 60958, *Digital audio interface*

IEC 61835, *Helical-scan digital component video cassette recording system using 12,65 mm (0,5 in) magnet tape – Format D-5*

ITU-R BS. 647 *A digital audio interface for broadcasting studios*

SMPTE RP 155:1995, *Audio levels and Indicators for Digital Audio Records on Digital Television Tape Recorders*