



INTERNATIONAL STANDARD

NORME INTERNATIONALE

Management of alarm systems for the process industries

Gestion de systèmes d'alarme dans les industries de transformation

INTERNATIONAL
ELECTROTECHNICAL
COMMISSION

COMMISSION
ELECTROTECHNIQUE
INTERNATIONALE

ICS 13.320; 25.040.40

ISBN 978-2-8322-5885-9

**Warning! Make sure that you obtained this publication from an authorized distributor.
Attention! Veuillez vous assurer que vous avez obtenu cette publication via un distributeur agréé.**

CONTENTS

FOREWORD	9
INTRODUCTION	11
1 Scope	12
1.1 General applicability	12
1.2 Exclusions and inclusions	13
1.2.1 Operators	13
1.2.2 Process sensors and final control elements	13
1.2.3 Annunciators	13
1.2.4 Human machine interface	13
1.2.5 Safety instrumented systems	14
1.2.6 Fire and gas detection and protective systems	14
1.2.7 Security systems	14
1.2.8 Packaged systems	14
1.2.9 Event data	14
1.2.10 Alarm identification methods	14
1.2.11 Management of change	14
1.2.12 Purchase specification	14
2 Normative references	14
3 Terms, definitions and abbreviated terms	15
3.1 Terms and definitions	15
3.2 Abbreviated terms	24
4 Conformance to this document	25
4.1 Conformance guidance	25
4.2 Existing systems	25
4.3 Use of required functionalities	25
4.4 Responsibility	25
4.5 Local Jurisdictions	25
5 Alarm system models	25
5.1 Alarm systems	25
5.2 Alarm management life cycle	25
5.2.1 Alarm management life cycle model	25
5.2.2 Alarm management life cycle stages	26
5.2.3 Alarm management life cycle entry points	29
5.2.4 Simultaneous and encompassing stages	29
5.2.5 Alarm management life cycle loops	29
5.2.6 Alarm management life cycle stage inputs and outputs	30
5.3 Alarm states	31
5.3.1 Alarm state transition diagram	31
5.3.2 Alarm states	32
5.3.3 Alarm state transition paths	34
5.4 Alarm response timeline	35
5.4.1 General	35
5.4.2 Normal (A)	36
5.4.3 Unacknowledged (B)	36
5.4.4 Acknowledged (C) and response	36
5.4.5 Return-to-normal (D)	37

5.4.6	Allowable response time	37
5.4.7	Alarm setpoint	37
5.4.8	Consequence threshold	37
5.4.9	Alarm deadband	37
5.5	Feedback model of operator-process interaction	37
5.5.1	General	37
5.5.2	Detect.....	38
5.5.3	Diagnose	38
5.5.4	Respond	38
5.5.5	Performance shaping factors	38
6	Alarm philosophy	39
6.1	Purpose	39
6.2	Alarm philosophy contents	39
6.2.1	General	39
6.2.2	Purpose of alarm system	40
6.2.3	Definitions	40
6.2.4	References	40
6.2.5	Roles and responsibilities for alarm management	40
6.2.6	Alarm design principles.....	40
6.2.7	Alarm setpoint determination	41
6.2.8	Prioritization method.....	41
6.2.9	Alarm class definition.....	41
6.2.10	Highly managed alarms	41
6.2.11	Rationalization.....	41
6.2.12	Alarm documentation	42
6.2.13	Alarm design guidance	42
6.2.14	Specific alarm design considerations	42
6.2.15	HMI design principles	42
6.2.16	Approved enhanced and advanced alarming techniques	43
6.2.17	Implementation guidance	43
6.2.18	Alarm response procedures	43
6.2.19	Training	43
6.2.20	Alarm shelving.....	43
6.2.21	Alarm system maintenance	43
6.2.22	Testing of alarms	43
6.2.23	Alarm system performance monitoring	44
6.2.24	Alarm history preservation	44
6.2.25	Management of change	44
6.2.26	Alarm management audit	44
6.2.27	Related site procedures	44
6.3	Alarm philosophy development and maintenance	45
7	Alarm system requirements specification	45
7.1	Purpose	45
7.2	Recommendations	45
7.3	Development.....	46
7.4	Systems evaluation.....	46
7.5	Packaged systems	46
7.6	Customization	46
7.7	Alarm system requirements verification	46

8	Identification.....	46
8.1	Purpose	46
8.2	Alarm identification methods	47
8.3	Identification training.....	47
8.4	Identification documentation	47
9	Rationalization.....	47
9.1	Purpose	47
9.2	Rationalization documentation	48
9.2.1	Rationalization documentation requirements.....	48
9.2.2	Rationalization documentation recommendations.....	48
9.2.3	Plant states	48
9.3	Alarm justification	48
9.3.1	Alarm justification process	48
9.3.2	Justification approach.....	49
9.3.3	Individual alarm justification.....	49
9.3.4	Impact on alarm system performance	49
9.4	Alarm setpoint determination.....	49
9.5	Prioritization	50
9.6	Classification	50
9.7	Review.....	50
9.8	Removal of rejected alarms.....	50
9.9	Documentation.....	50
10	Detailed design: basic alarm design	50
10.1	Purpose	50
10.2	Basic alarm design capabilities	51
10.3	Usage of alarm states	51
10.3.1	Alarm state triggering	51
10.3.2	Alarm states and other logic functions	51
10.3.3	Alarm suppression and other logic functions	51
10.4	Alarm types.....	51
10.5	Alarm attributes	52
10.5.1	General	52
10.5.2	Alarm description.....	52
10.5.3	Alarm setpoints.....	52
10.5.4	Alarm priority.....	52
10.5.5	Alarm deadbands.....	52
10.5.6	Alarm on-delay and off-delay	53
10.6	Programmatic changes to alarm attributes	53
10.7	Review of basic alarm design.....	53
11	Detailed design: human-machine interface design for alarm systems.....	54
11.1	Purpose	54
11.2	HMI functions.....	54
11.2.1	General	54
11.2.2	HMI information requirements.....	54
11.2.3	HMI functional requirements	54
11.2.4	HMI functional recommendations	54
11.2.5	HMI display requirements	54
11.2.6	Alarm records requirements.....	55

11.2.7	Alarm records recommendations.....	55
11.3	Alarm states indications	55
11.3.1	General	55
11.3.2	Required alarm state indications.....	55
11.3.3	Recommended alarm state indications.....	55
11.3.4	Audible alarm state indications	57
11.4	Alarm priority indications.....	57
11.4.1	General	57
11.4.2	Alarm priority indication requirements.....	57
11.4.3	Colour alarm priority indications requirements	57
11.4.4	Recommended alarm priority indications.....	57
11.5	Alarm message indications	58
11.5.1	General	58
11.5.2	Recommended alarm message indications	58
11.6	Alarm displays	58
11.6.1	General	58
11.6.2	Alarm summary display.....	59
11.6.3	Alarm summary status	60
11.6.4	Alarm log displays	60
11.6.5	Process displays.....	61
11.6.6	Tag detail displays.....	61
11.6.7	Other graphic elements	61
11.7	Alarm shelving	61
11.7.1	General	61
11.7.2	Alarm shelving functional requirements.....	61
11.7.3	Alarm shelving functional recommendations	62
11.7.4	Shelved alarm displays.....	62
11.8	Out-of-service alarms.....	62
11.8.1	General	62
11.8.2	Out-of-service alarm functional requirements.....	63
11.8.3	Out-of-service alarm displays	63
11.9	Alarms suppressed by design	63
11.9.1	General	63
11.9.2	Designed suppression functional requirements	64
11.9.3	Designed suppression functional recommendations.....	64
11.9.4	Suppressed-by-design displays	64
11.10	Alarm annunciator integration	65
11.10.1	General	65
11.10.2	Alarm annunciator integration recommendations.....	65
11.10.3	Alarm annunciator display integration recommendations.....	65
11.11	Safety related alarm HMI	65
11.11.1	General	65
11.11.2	Independent safety related alarm HMI	65
12	Detailed design: enhanced and advanced alarming	65
12.1	Purpose	65
12.2	Basis of enhanced and advanced alarming	66
12.2.1	General	66
12.2.2	Effort, manpower requirements and complexity.....	66
12.3	Information linking	66

12.4	Logic-based alarming	66
12.4.1	General	66
12.4.2	Alarm attribute modification	66
12.4.3	Externally enabled systems	66
12.4.4	Logical alarm suppression and attribute modification	66
12.4.5	State-based alarming.....	66
12.5	Model-based alarming.....	67
12.6	Additional alarming considerations.....	67
12.6.1	General	67
12.6.2	Remote alarm systems	67
12.6.3	Supplementary alarm systems	67
12.6.4	Batch process considerations	67
12.7	Training, testing, and auditing systems	68
12.8	Alarm attribute enforcement.....	68
13	Implementation	68
13.1	Purpose	68
13.2	Implementation planning	68
13.3	Implementation training.....	69
13.3.1	General	69
13.3.2	Implementation training requirements for new or modified alarms	69
13.3.3	Training documentation requirements for new or modified highly managed alarms	69
13.3.4	Training documentation recommendations for new or modified alarms.....	69
13.3.5	Implementation training requirements for new or modified alarm systems	69
13.3.6	Implementation training recommendations for new or modified alarm systems	69
13.4	Implementation testing and verification	69
13.4.1	General	69
13.4.2	Implementation testing requirements for highly managed alarms	70
13.4.3	Implementation testing recommendations for new or modified alarms	70
13.4.4	Implementation testing requirements for new or modified alarm systems	70
13.5	Implementation documentation	70
13.5.1	General	70
13.5.2	Documentation requirements	70
13.5.3	Implementation documentation recommendations.....	71
14	Operation	71
14.1	Purpose	71
14.2	Alarm response procedures	71
14.2.1	Alarm response procedures requirements.....	71
14.2.2	Alarm response procedure recommendations	71
14.3	Alarm shelving	72
14.3.1	Alarm shelving requirements.....	72
14.3.2	Alarm shelving for highly managed alarms.....	72
14.3.3	Alarm shelving recommendations	72
14.3.4	Alarm shelving record requirements.....	72
14.3.5	Shift change procedures and alarm review	72
14.4	Refresher training for operators	72
14.4.1	Refresher training requirements for operators.....	72

14.4.2	Refresher training documentation requirements for highly managed alarms	72
14.4.3	Refresher training content for highly managed alarms	73
14.4.4	Refresher training recommendations for alarms	73
15	Maintenance	73
15.1	Purpose	73
15.2	Periodic alarm testing	73
15.2.1	General	73
15.2.2	Periodic alarm testing requirements	73
15.2.3	Periodic alarm testing for highly managed alarms	73
15.2.4	Periodic alarm test procedure requirements	74
15.2.5	Periodic alarm test procedure recommendations	74
15.2.6	Periodic alarm testing recommendations	74
15.3	Out-of-service alarms	74
15.3.1	General	74
15.3.2	Out-of-service process requirements	74
15.3.3	Out-of-service highly managed alarms	74
15.3.4	Out-of-service process recommendations	75
15.3.5	Requirements for returning alarms to service	75
15.4	Equipment repair	75
15.5	Equipment replacement	75
15.6	Refresher training for maintenance	75
15.6.1	General requirements	75
15.6.2	Refresher training requirements for highly managed alarms	75
15.6.3	Refresher training recommendations for alarms	75
16	Monitoring and assessment	75
16.1	Purpose	75
16.2	Performance monitoring requirements	76
16.3	Monitoring and assessment	76
16.3.1	General	76
16.3.2	Alarm system performance metrics	76
16.3.3	Average alarm rate per operator console	76
16.3.4	Peak alarm rate per operator console	77
16.3.5	Alarm floods	77
16.3.6	Frequently occurring alarms	77
16.3.7	Chattering and fleeting alarms	77
16.3.8	Stale alarms	78
16.3.9	Annunciated alarm priority distribution	78
16.3.10	Rationalization and alarm priority distribution	78
16.4	Unauthorized alarm suppression	78
16.5	Alarm attribute monitoring	79
16.6	Reporting of alarm system analyses	79
16.7	Alarm performance metric summary	79
17	Management of change	79
17.1	Purpose	79
17.2	Changes subject to management of change	80
17.3	Change documentation requirements	80
17.4	Alarm removal recommendations	80
17.5	Alarm documentation review recommendations	80

18	Audit.....	80
18.1	Purpose	80
18.2	Benchmark.....	80
18.3	Audit requirements.....	81
18.4	Audit interviews	81
18.5	Audit process recommendations	81
18.6	Action plans	81
	Bibliography.....	82
	Figure 1 – Alarm system dataflow	13
	Figure 2 – Alarm management life cycle	26
	Figure 3 – Alarm state transition diagram.....	32
	Figure 4 – Alarm response timeline.....	36
	Figure 5 – Feedback model of operator-process interaction	38
	Table 1 – Alarm management life cycle stage inputs and outputs.....	31
	Table 2 – Summary of alarm states.....	34
	Table 3 – Required and recommended alarm philosophy contents	39
	Table 4 – Recommended alarm state indications	57
	Table 5 – Average alarm rates	77
	Table 6 – Example annunciated alarm priority distribution.....	78
	Table 7 – Recommended alarm performance metrics summary.....	79

INTERNATIONAL ELECTROTECHNICAL COMMISSION

MANAGEMENT OF ALARM SYSTEMS FOR THE PROCESS INDUSTRIES

FOREWORD

- 1) The International Electrotechnical Commission (IEC) is a worldwide organization for standardization comprising all national electrotechnical committees (IEC National Committees). The object of IEC is to promote international co-operation on all questions concerning standardization in the electrical and electronic fields. To this end and in addition to other activities, IEC publishes International Standards, Technical Specifications, Technical Reports, Publicly Available Specifications (PAS) and Guides (hereafter referred to as “IEC Publication(s)”). Their preparation is entrusted to technical committees; any IEC National Committee interested in the subject dealt with may participate in this preparatory work. International, governmental and non-governmental organizations liaising with the IEC also participate in this preparation. IEC collaborates closely with the International Organization for Standardization (ISO) in accordance with conditions determined by agreement between the two organizations.
- 2) The formal decisions or agreements of IEC on technical matters express, as nearly as possible, an international consensus of opinion on the relevant subjects since each technical committee has representation from all interested IEC National Committees.
- 3) IEC Publications have the form of recommendations for international use and are accepted by IEC National Committees in that sense. While all reasonable efforts are made to ensure that the technical content of IEC Publications is accurate, IEC cannot be held responsible for the way in which they are used or for any misinterpretation by any end user.
- 4) In order to promote international uniformity, IEC National Committees undertake to apply IEC Publications transparently to the maximum extent possible in their national and regional publications. Any divergence between any IEC Publication and the corresponding national or regional publication shall be clearly indicated in the latter.
- 5) IEC itself does not provide any attestation of conformity. Independent certification bodies provide conformity assessment services and, in some areas, access to IEC marks of conformity. IEC is not responsible for any services carried out by independent certification bodies.
- 6) All users should ensure that they have the latest edition of this publication.
- 7) No liability shall attach to IEC or its directors, employees, servants or agents including individual experts and members of its technical committees and IEC National Committees for any personal injury, property damage or other damage of any nature whatsoever, whether direct or indirect, or for costs (including legal fees) and expenses arising out of the publication, use of, or reliance upon, this IEC Publication or any other IEC Publications.
- 8) Attention is drawn to the Normative references cited in this publication. Use of the referenced publications is indispensable for the correct application of this publication.
- 9) Attention is drawn to the possibility that some of the elements of this IEC Publication may be the subject of patent rights. IEC shall not be held responsible for identifying any or all such patent rights.

IEC 62682 has been prepared by subcommittee 65A: System aspects, of IEC technical committee 65: Industrial-process measurement, control and automation. It is an International Standard.

This second edition cancels and replaces the first edition published in 2014. This edition constitutes a technical revision.

This edition includes minor technical changes with respect to the previous edition, based on changes to ANSI/ISA-18.2:2016. These include the inclusion of packaged systems in the scope (Clause 1), definitions (Clause 3) and alarm system requirements specification (Clause 7). There are changes to improve clarity in wording throughout the document.

The text of this International Standard is based on the following documents:

Draft	Report on voting
65A/1046/FDIS	65A/1064/RVD

Full information on the voting for its approval can be found in the report on voting indicated in the above table.

The language used for the development of this International Standard is English.

This document was drafted in accordance with ISO/IEC Directives, Part 2, and developed in accordance with ISO/IEC Directives, Part 1 and ISO/IEC Directives, IEC Supplement, available at www.iec.ch/members_experts/refdocs. The main document types developed by IEC are described in greater detail at www.iec.ch/standardsdev/publications.

The committee has decided that the contents of this document will remain unchanged until the stability date indicated on the IEC website under "<http://webstore.iec.ch>" in the data related to the specific document. At this date, the document will be

- reconfirmed,
- withdrawn,
- replaced by a revised edition, or
- amended.

INTRODUCTION

This International Standard addresses the development, design, installation, and management of alarm systems in the process industries. Alarm management includes multiple work processes throughout the alarm management life cycle. This document defines the terminology and models to develop an alarm system, and it defines the work processes recommended to effectively maintain the alarm throughout the life cycle. Ineffective alarm systems have often been cited as contributing factors in the investigation reports following major process incidents. This document is intended to provide a methodology that will result in the improved safety, quality, and operation in the process industries.

The first edition of this document was adapted from ANSI/ISA-18.2-2009, *Management of Alarm Systems for the Process Industries*, an International Society of Automation (ISA) standard, and with due consideration of other guidance documents that have been developed throughout industry. This second edition has incorporated some changes made in ANSI/ISA-18.2-2016.

This document is not the first effort to define terminology and practices for effective alarm systems. In 1999 the Engineering Equipment and Materials Users' Association (EEMUA) issued Publication 191, *Alarm Systems: A Guide to Design, Management and Procurement*, with the 2nd edition published in 2007 and the 3rd edition published in 2013. In 2003 the User Association of Process Control Technology in Chemical and Pharmaceutical Industries (NAMUR) issued worksheet NA 102, *Alarm Management*, which was updated in 2008. During the development and maintenance of this document, every effort was made to keep terminology and practices consistent with the previous work of these respected organizations and committees.

This document provides requirements for alarm management and alarm systems. It is intended for those individuals and organizations that

- a) manufacture or implement embedded alarm systems,
- b) manufacture or install third-party alarm system software,
- c) design or install alarm systems,
- d) operate and maintain alarm systems, and
- e) audit or assess alarm system performance.

This document is organized in parts. The first part (Clause 1 to Clause 3) are normative without any mandatory requirements. Clause 4 contains mandatory requirements. Clause 5 is normative without any mandatory requirements. The main body of the standard (Clause 6 to Clause 18), describes mandatory requirements and non-mandatory recommendations.

Within this document, mandatory requirements are stated with "shall", non-mandatory recommendations are stated with "should", and permissible requirements are stated with "may". The phrase "is required" indicates the requirement has been stated previously in the document.

MANAGEMENT OF ALARM SYSTEMS FOR THE PROCESS INDUSTRIES

1 Scope

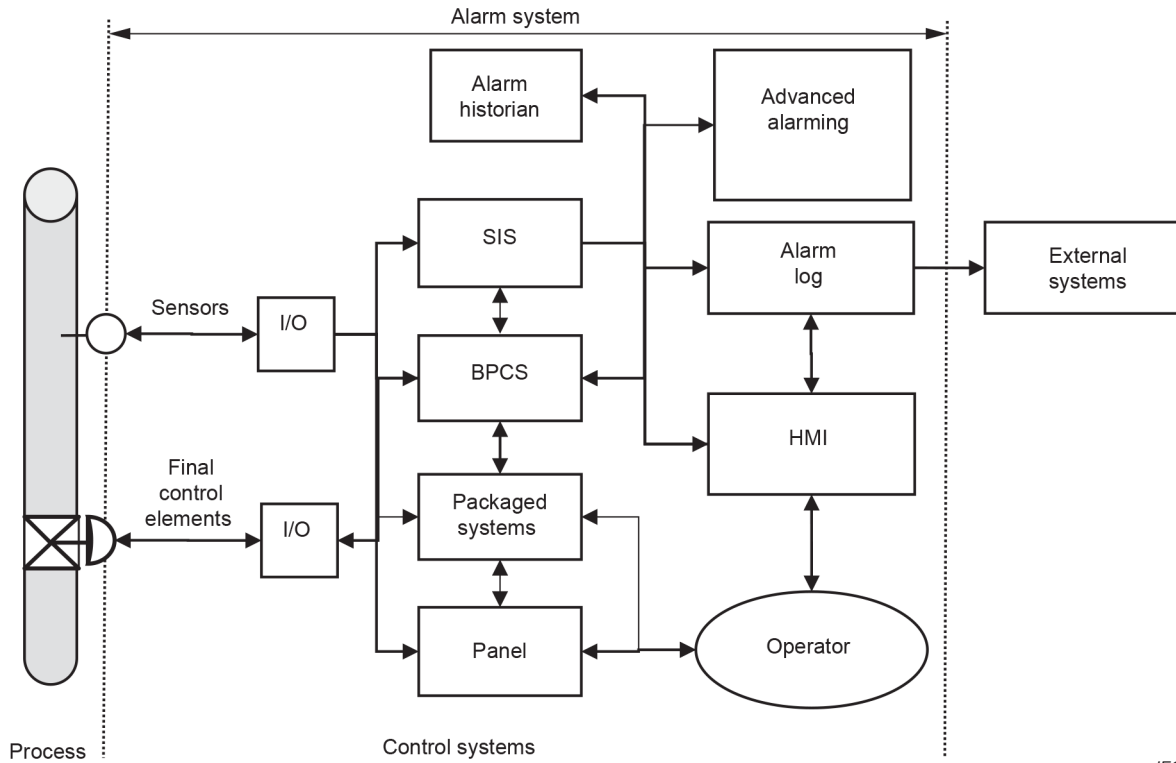
1.1 General applicability

This document specifies general principles and processes for the management of alarm systems based on controls system and human-machine interfaces (HMI) for facilities in the process industries. It covers all alarms to be presented to the operator through the control system, which includes alarms from basic process control systems, annunciators, packaged systems, and safety instrumented systems.

The practices in this document are applicable to continuous, batch, and discrete processes. There can be differences in implementation to meet the specific needs based on process type.

The primary function within the alarm system is to notify operators of abnormal process conditions or equipment malfunctions and support the response. The alarm systems can include both the basic process control system (BPCS) and the safety instrumented system (SIS), each of which uses measurements of process conditions and logic to generate alarms. Figure 1 illustrates the concepts of alarm and response dataflow through the alarm system. The alarm system also includes a mechanism for communicating the alarm information to the operator via an HMI, usually a computer screen or an annunciator. Additional functions of the alarm system are an alarm and event log, an alarm historian, and the generation of performance metrics for the alarm system. There are external systems that can use the data from the alarm system.

Figure 1 is not intended to represent physical wiring.



IEC

NOTE 1 Packaged systems (e.g., refrigeration machines) can be included in the control system.

NOTE 2 Panel can refer to annunciator panel or other panel types.

NOTE 3 The lines are intended to represent data flow and not physical wiring.

Figure 1 – Alarm system dataflow

1.2 Exclusions and inclusions

1.2.1 Operators

The functions of the operator receiving and responding to alarms are included in the scope of this document. Management of operators is excluded from the scope of this document.

1.2.2 Process sensors and final control elements

The alarms implemented in sensors and final control elements are included in the scope of this document. The design and management of process sensors and final control elements are excluded from the scope of this document.

1.2.3 Annunciators

The integration of annunciators into an alarm system is included in the scope of this document. The specification and design of annunciators is excluded from the scope of this document.

1.2.4 Human machine interface

The appearance of alarms in the HMI and functions of alarm related displays are included in the scope of this document. The design and maintenance of the HMI are excluded from this document.

NOTE ANSI/ISA-101.01-2015 provides information on HMI design and maintenance.

1.2.5 Safety instrumented systems

The alarms implemented in a safety instrumented system are included in the scope of this document. The design and management of safety instrumented systems are excluded from this document.

NOTE IEC 61511-1 provides information on safety instrumented systems.

1.2.6 Fire and gas detection and protective systems

The alarms from fire and gas detection and protective systems presented to the operator through the control system are included in the scope of this document. The design and management of fire and gas detection and protective systems is excluded from the scope of this document.

1.2.7 Security systems

The alarms from security systems presented to the operator through the control system are included in the scope of this document. The design and management of security systems is excluded from the scope of this document.

1.2.8 Packaged systems

The alarms from packaged systems presented to the operator through the control system are included in the scope of this document. The design and management of packaged systems is excluded from the scope of this document.

1.2.9 Event data

The indication and processing of analog, discrete, and event data other than alarm indications are excluded from the scope of this document. The analysis techniques using both alarm and event data are excluded from the scope of this document.

1.2.10 Alarm identification methods

Required methods of alarm identification are not specified in this document. Examples of alarm identification methods are listed.

1.2.11 Management of change

A specific management of change (MOC) procedure is not included in this document. Some requirements and recommendations for an MOC procedure are included.

1.2.12 Purchase specification

This document is not intended to be used as an alarm system purchase specification.

2 Normative references

There are no normative references in this document.

SOMMAIRE

AVANT-PROPOS	91
INTRODUCTION	93
1 Domaine d'application	94
1.1 Applicabilité générale.....	94
1.2 Exclusions et inclusions	95
1.2.1 Opérateurs	95
1.2.2 Capteurs de processus et éléments de commande finaux.....	95
1.2.3 Annonceurs	95
1.2.4 Interface homme-machine	96
1.2.5 Systèmes instrumentés de sécurité.....	96
1.2.6 Systèmes de détection et de protection contre l'incendie et le gaz.....	96
1.2.7 Systèmes de sécurité	96
1.2.8 Systèmes conditionnés	96
1.2.9 Données d'événement	96
1.2.10 Méthodes d'identification des alarmes	96
1.2.11 Gestion des changements	96
1.2.12 Spécification d'achat.....	96
2 Références normatives	97
3 Termes, définitions et termes abrégés	97
3.1 Termes et définitions	97
3.2 Termes abrégés.....	107
4 Conformité au présent document	107
4.1 Recommandations pour la conformité	107
4.2 Systèmes existants	107
4.3 Utilisation des fonctionnalités exigées.....	107
4.4 Responsabilité	108
4.5 Juridictions locales	108
5 Modèles de système d'alarme.....	108
5.1 Systèmes d'alarme	108
5.2 Cycle de vie de la gestion d'alarme.....	108
5.2.1 Modèle de cycle de vie de la gestion d'alarme	108
5.2.2 Stades du cycle de vie de la gestion d'alarme.....	109
5.2.3 Points d'entrée du cycle de gestion d'alarme	112
5.2.4 Stades simultanés et intégrants	112
5.2.5 Boucles du cycle de vie de la gestion d'alarme	113
5.2.6 Entrées et sorties du stade de cycle de vie de gestion des alarmes	113
5.3 États d'alarme.....	114
5.3.1 Schéma de transition d'états d'alarme	114
5.3.2 États d'alarme	115
5.3.3 Chemins de transition entre les états d'alarme.....	117
5.4 Chronologie de la réponse aux alarmes	118
5.4.1 Généralités	118
5.4.2 Normale (A).....	119
5.4.3 Non acquittée (B).....	119
5.4.4 Acquittée (C) et réponse.....	119
5.4.5 Retour à la normale (D)	120

5.4.6	Temps de réponse admissible	120
5.4.7	Point de consigne d'alarme.....	120
5.4.8	Seuil de conséquence.....	120
5.4.9	Bande morte d'alarme.....	120
5.5	Modèle de rétroaction de l'interaction opérateur-processus.....	121
5.5.1	Généralités	121
5.5.2	Détecter	121
5.5.3	Diagnostiquer	121
5.5.4	Répondre.....	121
5.5.5	Facteurs de mise en forme des performances.....	121
6	Philosophie d'alarme	122
6.1	Objectif.....	122
6.2	Contenu de la philosophie d'alarme	122
6.2.1	Généralités	122
6.2.2	Objectif du système d'alarme.....	123
6.2.3	Définitions	123
6.2.4	Références	123
6.2.5	Rôles et responsabilités pour une gestion d'alarme	123
6.2.6	Principes de conception d'alarme	124
6.2.7	Détermination du point de consigne d'alarme.....	124
6.2.8	Méthode de priorisation	124
6.2.9	Définition de la classe d'alarme	124
6.2.10	Alarmes intensément gérées.....	125
6.2.11	Rationalisation.....	125
6.2.12	Documentation d'alarme	125
6.2.13	Recommandations pour la conception d'alarmes	125
6.2.14	Considérations de conception spécifique d'alarme.....	126
6.2.15	Principes de conception d'IHM.....	126
6.2.16	Techniques d'alarmes améliorées et évoluées approuvées.....	126
6.2.17	Recommandations pour la mise en œuvre	126
6.2.18	Procédures de réponse aux alarmes.....	126
6.2.19	Conditionnement	126
6.2.20	Suspension d'alarme	127
6.2.21	Maintenance de système d'alarme.....	127
6.2.22	Essais d'alarmes	127
6.2.23	Surveillance des performances du système d'alarme	127
6.2.24	Préservation de l'historique des alarmes.....	127
6.2.25	Gestion des changements	127
6.2.26	Audit de gestion d'alarme	128
6.2.27	Procédures de site associées	128
6.3	Mise au point et maintenance de philosophie d'alarme.....	128
7	Spécification des exigences de système d'alarme.....	128
7.1	Objectif.....	128
7.2	Recommandations	129
7.3	Mise au point	129
7.4	Évaluation des systèmes.....	130
7.5	Systèmes conditionnés	130
7.6	Personnalisation	130
7.7	Vérification des exigences de système d'alarme	130

8	Identification	130
8.1	Objectif	130
8.2	Méthodes d'identification d'alarme	130
8.3	Formation à l'identification	131
8.4	Documentation d'identification	131
9	Rationalisation.....	131
9.1	Objectif	131
9.2	Documentation de rationalisation	131
9.2.1	Exigences relatives à la documentation de rationalisation.....	131
9.2.2	Recommandations relatives à la documentation de rationalisation	132
9.2.3	États de l'installation	132
9.3	Justification d'alarme	132
9.3.1	Processus de justification d'alarme	132
9.3.2	Méthode de justification	132
9.3.3	Justification d'alarmes séparées	132
9.3.4	Impact sur les performances du système d'alarme	133
9.4	Détermination du point de consigne d'alarme	133
9.5	Priorisation	133
9.6	Classification	133
9.7	Revue	134
9.8	Retrait d'alarmes refusées	134
9.9	Documentation.....	134
10	Conception détaillée: conception d'alarme de base	134
10.1	Objectif	134
10.2	Fonctionnalités de conception d'alarme de base	134
10.3	Utilisation des états d'alarme	134
10.3.1	Déclenchement des états d'alarme	134
10.3.2	Etats d'alarme et autres fonctions logiques.....	135
10.3.3	Suppression d'alarme et autres fonctions logiques	135
10.4	Types d'alarmes	135
10.5	Attributs d'alarme.....	136
10.5.1	Généralités	136
10.5.2	Description d'alarme	136
10.5.3	Points de consigne d'alarme	136
10.5.4	Priorité d'alarme	136
10.5.5	Bandes mortes d'alarme	136
10.5.6	Retard à l'activation et retard à la désactivation d'alarme	137
10.6	Changements programmatiques des attributs d'alarme	137
10.7	Examen de la conception d'alarme de base	138
11	Conception détaillée: conception de l'interface homme-machine pour les systèmes d'alarme	138
11.1	Objectif	138
11.2	Fonctions de l'IHM	138
11.2.1	Généralités	138
11.2.2	Exigences relatives aux informations de l'IHM	138
11.2.3	Exigences fonctionnelles de l'IHM	138
11.2.4	Recommandations fonctionnelles de l'IHM.....	138
11.2.5	Exigences relatives à l'affichage de l'IHM	139
11.2.6	Exigences relatives aux enregistrements d'alarme	139

11.2.7	Recommandations relatives aux enregistrements d'alarme	139
11.3	Indications d'états d'alarme	139
11.3.1	Généralités	139
11.3.2	Indications exigées d'états d'alarme	139
11.3.3	Indications recommandées pour les états d'alarme	140
11.3.4	Indications sonores d'états d'alarme	141
11.4	Indications de priorité d'alarme	141
11.4.1	Généralités	141
11.4.2	Exigences relatives à l'indication des priorités d'alarme.....	141
11.4.3	Exigences relatives aux indications des priorités d'alarme en couleur.....	141
11.4.4	Indications recommandées de priorités d'alarme.....	142
11.5	Indications de message d'alarme	142
11.5.1	Généralités	142
11.5.2	Indications recommandées pour les messages d'alarme.....	142
11.6	Affichages d'alarme	142
11.6.1	Généralités	142
11.6.2	Affichage de résumés d'alarmes	143
11.6.3	Statut de résumé d'alarmes	144
11.6.4	Affichages de journaux d'alarme	144
11.6.5	Affichages de processus.....	145
11.6.6	Affichages des détails d'étiquette	145
11.6.7	Autres éléments graphiques	145
11.7	Suspension d'alarme.....	145
11.7.1	Généralités	145
11.7.2	Exigences fonctionnelles de la suspension d'alarme.....	145
11.7.3	Recommandations fonctionnelles de la suspension d'alarme	146
11.7.4	Affichages d'alarmes suspendues.....	146
11.8	Alarmes "hors service"	147
11.8.1	Généralités	147
11.8.2	Exigences fonctionnelles relatives aux alarmes "hors service"	147
11.8.3	Affichages d'alarme "hors service".....	147
11.9	Alarmes supprimées par conception.....	148
11.9.1	Généralités	148
11.9.2	Exigences fonctionnelles relatives à la suppression conçue.....	148
11.9.3	Recommandations fonctionnelles relatives à la suppression conçue	148
11.9.4	Affichages supprimés par conception.....	148
11.10	Intégration d'annonceur d'alarme	149
11.10.1	Généralités	149
11.10.2	Recommandations relatives à l'intégration d'annonceurs d'alarme.....	149
11.10.3	Recommandations relatives à l'affichage d'annonceurs d'alarme	149
11.11	IHM pour alarmes liées à la sécurité	149
11.11.1	Généralités	149
11.11.2	IHM indépendante pour alarmes liées à la sécurité.....	150
12	Conception détaillée: alarmes améliorées et avancées	150
12.1	Objectif	150
12.2	Base des alarmes améliorées et avancées.....	150
12.2.1	Généralités	150
12.2.2	Effort, exigences relatives à la main-d'œuvre et complexité	150
12.3	Liaison d'informations	150

12.4	Alarme basée sur une logique	151
12.4.1	Généralités	151
12.4.2	Modification d'attributs d'alarme	151
12.4.3	Systèmes activés de l'extérieur	151
12.4.4	Suppression logique d'alarme et modification d'attributs	151
12.4.5	Alarmes à base d'état	151
12.5	Alarmes à base de modèle	151
12.6	Aspects supplémentaires à considérer pour les alarmes	151
12.6.1	Généralités	151
12.6.2	Systèmes d'alarme à distance	152
12.6.3	Systèmes d'alarme supplémentaires	152
12.6.4	Considérations relatives aux processus discontinus	152
12.7	Formation, essais et audit de systèmes	153
12.8	Exécution d'attributs d'alarme	153
13	Mise en œuvre	153
13.1	Objectif	153
13.2	Planification de la mise en œuvre	153
13.3	Formation à la mise en œuvre	153
13.3.1	Généralités	153
13.3.2	Exigences relatives à la formation à la mise en œuvre pour les alarmes nouvelles ou modifiées	153
13.3.3	Exigences relatives à la documentation de la formation pour les alarmes intensément gérées nouvelles ou modifiées	154
13.3.4	Recommandations relatives à la documentation sur la formation aux alarmes nouvelles ou modifiées	154
13.3.5	Exigences relatives à la formation à la mise en œuvre des systèmes d'alarme nouveaux ou modifiés	154
13.3.6	Recommandations relatives à la formation à la mise en œuvre des systèmes d'alarme nouveaux ou modifiés	154
13.4	Essais et vérification de la mise en œuvre	154
13.4.1	Généralités	154
13.4.2	Exigences relatives aux essais de mise en œuvre des alarmes intensément gérées	154
13.4.3	Recommandations relatives aux essais de mise en œuvre des alarmes nouvelles ou modifiées	155
13.4.4	Exigences relatives aux essais de mise en œuvre des systèmes d'alarme nouveaux ou modifiés	155
13.5	Documentation de la mise en œuvre	155
13.5.1	Généralités	155
13.5.2	Exigences relatives à la documentation	155
13.5.3	Recommandations relatives à la documentation sur la mise en œuvre	156
14	Exploitation	156
14.1	Objectif	156
14.2	Procédures de réponse aux alarmes	156
14.2.1	Exigences relatives aux procédures de réponse aux alarmes	156
14.2.2	Recommandations relatives aux procédures de réponse aux alarmes	156
14.3	Suspension d'alarme	157
14.3.1	Exigences relatives à la suspension d'alarme	157
14.3.2	Suspension d'alarme en cas d'alarmes intensément gérées	157
14.3.3	Recommandations relatives à la suspension d'alarme	157

14.3.4	Exigences relatives à l'enregistrement de la suspension d'alarme	157
14.3.5	Procédures de changements de poste et revue d'alarmes	157
14.4	Formation de mise à jour des connaissances pour les opérateurs	157
14.4.1	Exigences relatives à la formation de mise à jour des connaissances pour les opérateurs.....	157
14.4.2	Exigences relatives à la documentation de formation de mise à jour des connaissances en cas d'alarmes intensément gérées	158
14.4.3	Contenu de la formation de mise à jour des connaissances en cas d'alarmes intensément gérées	158
14.4.4	Recommandations relatives à la formation de mise à jour des connaissances sur les alarmes	158
15	Maintenance.....	158
15.1	Objectif.....	158
15.2	Essais d'alarme périodiques	158
15.2.1	Généralités	158
15.2.2	Exigences relatives aux essais d'alarme périodiques.....	159
15.2.3	Essais d'alarme périodiques pour les alarmes intensément gérées	159
15.2.4	Exigences relatives à la procédure d'essais d'alarme périodiques	159
15.2.5	Recommandations relatives à la procédure d'essais d'alarme périodiques.....	159
15.2.6	Recommandations relatives aux essais d'alarme périodiques	159
15.3	Alarmes "hors service"	159
15.3.1	Généralités	159
15.3.2	Exigences relatives aux processus hors service	160
15.3.3	Alarmes intensément gérées hors service.....	160
15.3.4	Recommandations relatives aux processus hors service.....	160
15.3.5	Exigences pour le retour d'alarme en service.....	160
15.4	Réparation de matériel.....	160
15.5	Remplacement de matériel.....	160
15.6	Formation de mise à jour des connaissances pour la maintenance	161
15.6.1	Exigences générales	161
15.6.2	Exigences relatives à la formation de mise à jour des connaissances sur les alarmes intensément gérées.....	161
15.6.3	Recommandations relatives à la formation de mise à jour des connaissances sur les alarmes	161
16	Surveillance et évaluation.....	161
16.1	Objectif.....	161
16.2	Exigences relatives à la surveillance des performances	161
16.3	Surveillance et évaluation	161
16.3.1	Généralités	161
16.3.2	Métrique des performances de système d'alarme	162
16.3.3	Valeur moyenne de la fréquence d'alarme par console d'opérateur	162
16.3.4	Valeur de crête de la fréquence d'alarme par console d'opérateur	162
16.3.5	Inondations d'alarmes.....	163
16.3.6	Alarmes fréquentes.....	163
16.3.7	Alarmes oscillantes et alarmes fugaces	163
16.3.8	Alarmes prolongées	163
16.3.9	Distribution des priorités d'alarme annoncées	164
16.3.10	Rationalisation et distribution des priorités d'alarme annoncées	164
16.4	Suppression d'alarme non autorisée	164

16.5	Surveillance d'attributs d'alarme	164
16.6	Rapports relatifs aux analyses de systèmes d'alarme	165
16.7	Résumé des métriques de performances d'alarme	165
17	Gestion des changements	165
17.1	Objectif	165
17.2	Changements soumis à la gestion des changements	166
17.3	Exigences relatives à la documentation sur les changements	166
17.4	Recommandations relatives au retrait d'alarme	166
17.5	Recommandations relatives à la revue de la documentation sur les alarmes.....	166
18	Audit.....	166
18.1	Objectif	166
18.2	Référence	167
18.3	Exigences relatives à l'audit.....	167
18.4	Entrevues d'audit.....	167
18.5	Recommandations relatives au processus d'audit	167
18.6	Plans d'action	167
	Bibliographie.....	168
	Figure 1 – Flux de données du système d'alarme	95
	Figure 2 – Cycle de vie de la gestion d'alarme	109
	Figure 3 – Schéma de transition d'états d'alarme.....	115
	Figure 4 – Chronologie de la réponse aux alarmes	119
	Figure 5 – Modèle de rétroaction de l'interaction opérateur-processus.....	121
	Tableau 1 – Entrées et sorties du stade de cycle de vie de gestion des alarmes.....	114
	Tableau 2 – Résumé des états d'alarme	117
	Tableau 3 – Contenu exigé et recommandé de la philosophie d'alarme.....	122
	Tableau 4 – Indications recommandées pour les états d'alarme	141
	Tableau 5 – Valeurs moyennes de la fréquence d'alarme	162
	Tableau 6 – Exemple de distribution des priorités d'alarme annoncées	164
	Tableau 7 – Résumé des métriques de performances d'alarme recommandées	165

COMMISSION ÉLECTROTECHNIQUE INTERNATIONALE

GESTION DE SYSTÈMES D'ALARME DANS LES INDUSTRIES DE TRANSFORMATION

AVANT-PROPOS

- 1) La Commission Electrotechnique Internationale (IEC) est une organisation mondiale de normalisation composée de l'ensemble des comités électrotechniques nationaux (Comités nationaux de l'IEC). L'IEC a pour objet de favoriser la coopération internationale pour toutes les questions de normalisation dans les domaines de l'électricité et de l'électronique. A cet effet, l'IEC – entre autres activités – publie des Normes internationales, des Spécifications techniques, des Rapports techniques, des Spécifications accessibles au public (PAS) et des Guides (ci-après dénommés "Publication(s) de l'IEC"). Leur élaboration est confiée à des comités d'études, aux travaux desquels tout Comité national intéressé par le sujet traité peut participer. Les organisations internationales, gouvernementales et non gouvernementales, en liaison avec l'IEC, participent également aux travaux. L'IEC collabore étroitement avec l'Organisation Internationale de Normalisation (ISO), selon des conditions fixées par accord entre les deux organisations.
- 2) Les décisions ou accords officiels de l'IEC concernant les questions techniques représentent, dans la mesure du possible, un accord international sur les sujets étudiés, étant donné que les Comités nationaux de l'IEC intéressés sont représentés dans chaque comité d'études.
- 3) Les Publications de l'IEC se présentent sous la forme de recommandations internationales et sont agréées comme telles par les Comités nationaux de l'IEC. Tous les efforts raisonnables sont entrepris afin que l'IEC s'assure de l'exactitude du contenu technique de ses Publications; l'IEC ne peut pas être tenue responsable de l'éventuelle mauvaise utilisation ou interprétation qui en est faite par un quelconque utilisateur final.
- 4) Dans le but d'encourager l'uniformité internationale, les Comités nationaux de l'IEC s'engagent, dans toute la mesure possible, à appliquer de façon transparente les Publications de l'IEC dans leurs publications nationales et régionales. Toutes divergences entre toutes Publications de l'IEC et toutes publications nationales ou régionales correspondantes doivent être indiquées en termes clairs dans ces dernières.
- 5) L'IEC elle-même ne fournit aucune attestation de conformité. Des organismes de certification indépendants fournissent des services d'évaluation de conformité et, dans certains secteurs, accèdent aux marques de conformité de l'IEC. L'IEC n'est responsable d'aucun des services effectués par les organismes de certification indépendants.
- 6) Tous les utilisateurs doivent s'assurer qu'ils sont en possession de la dernière édition de cette publication.
- 7) Aucune responsabilité ne doit être imputée à l'IEC, à ses administrateurs, employés, auxiliaires ou mandataires, y compris ses experts particuliers et les membres de ses comités d'études et des Comités nationaux de l'IEC, pour tout préjudice causé en cas de dommages corporels et matériels, ou de tout autre dommage de quelque nature que ce soit, directe ou indirecte, ou pour supporter les coûts (y compris les frais de justice) et les dépenses découlant de la publication ou de l'utilisation de cette Publication de l'IEC ou de toute autre Publication de l'IEC, ou au crédit qui lui est accordé.
- 8) L'attention est attirée sur les références normatives citées dans cette publication. L'utilisation de publications référencées est obligatoire pour une application correcte de la présente publication.
- 9) L'attention est attirée sur le fait que certains des éléments de la présente publication de l'IEC peuvent faire l'objet de droits de brevet. L'IEC ne saurait être tenue pour responsable de ne pas avoir identifié de tels droits de brevets.

L'IEC 62682 a été établie par le sous-comité 65A: Aspects systèmes, du comité d'études 65 de l'IEC: Mesure, commande et automation dans les processus industriels. Il s'agit d'une Norme internationale.

Cette deuxième édition annule et remplace la première édition parue en 2014. Cette édition constitue une révision technique.

Cette édition inclut des modifications techniques mineures par rapport à l'édition précédente, en se basant sur les modifications de l'ANSI/ISA-18.2:2016. Elles comprennent l'ajout de systèmes conditionnés dans le domaine d'application (Article 1), de définitions (Article 3) et la spécification des exigences relatives aux systèmes d'alarme (Article 7). Ces modifications ont été apportées pour améliorer la clarté de la formulation dans l'ensemble du document.

Le texte de cette Norme internationale est issu des documents suivants:

Projet	Rapport de vote
65A/1046/FDIS	65A/1064/RVD

Le rapport de vote indiqué dans le tableau ci-dessus donne toute information sur le vote ayant abouti à son approbation.

La langue employée pour l'élaboration de cette Norme internationale est l'anglais.

Ce document a été rédigé selon les Directives ISO/IEC, Partie 2, il a été développé selon les Directives ISO/IEC, Partie 1 et les Directives ISO/IEC, Supplément IEC, disponibles sous www.iec.ch/members_experts/refdocs. Les principaux types de documents développés par l'IEC sont décrits plus en détail sous www.iec.ch/standardsdev/publications.

Le comité a décidé que le contenu de ce document ne sera pas modifié avant la date de stabilité indiquée sur le site web de l'IEC sous webstore.iec.ch dans les données relatives au document recherché. A cette date, le document sera:

- reconduit,
- supprimé,
- remplacé par une édition révisée, ou
- amendé.

INTRODUCTION

La présente Norme internationale traite du développement, de la conception, de l'installation et de la gestion de systèmes d'alarme dans les industries de transformation. La gestion des alarmes inclut plusieurs processus de travail pendant tout le cycle de vie de la gestion d'alarme. Le présent document définit la terminologie et les modèles pour développer un système d'alarme, il définit aussi les processus de travail recommandés pour maintenir efficacement l'alarme tout au long du cycle de vie. Des systèmes d'alarme inefficaces ont souvent été cités dans les rapports d'investigation comme des facteurs ayant contribué à des incidents de processus majeurs. Le présent document vise à fournir une méthodologie qui conduit à une sécurité, qualité et exploitation améliorées dans les industries de transformation.

La première édition du présent document a été adaptée de la norme ISA (International Society of Automation) ANSI/ISA-18.2-2009 *Management of Alarm Systems for the Process Industries*, en tenant pleinement compte d'autres documents d'orientation qui ont été élaborés dans l'ensemble du secteur. La présente deuxième édition incorpore certaines modifications apportées à l'ANSI/ISA-18.2-2016.

Le présent document n'est pas le premier effort visant à définir la terminologie et les pratiques pour des systèmes d'alarme efficaces. En 1999, l'EEMUA (Engineering Equipment and Materials Users' Association) a produit la Publication 191, *Alarm Systems: A Guide to Design, Management and Procurement*, avec la deuxième édition parue en 2007 et la troisième édition parue en 2013. En 2003, la NAMUR (User Association of Process Control Technology in Chemical and Pharmaceutical Industries) a publié la feuille de travail NA 102, *Alarm Management*, qui a été mise à jour en 2008. Au cours du développement et de la maintenance du présent document, tous les efforts ont été faits pour maintenir la terminologie et les pratiques cohérentes avec le travail antérieur de ces organisations et comités respectés.

Le présent document fournit les exigences relatives à la gestion des alarmes et aux systèmes d'alarme. Il est destiné aux personnes et aux organisations qui:

- a) fabriquent ou mettent en œuvre des systèmes d'alarme intégrés;
- b) fabriquent ou installent des logiciels pour systèmes d'alarme de tiers;
- c) conçoivent ou installent des systèmes d'alarme;
- d) exploitent et maintiennent des systèmes d'alarme; et
- e) auditent ou évaluent les performances des systèmes d'alarme.

Le présent document est organisé en plusieurs parties. La première partie (Article 1 à Article 3) est normative sans aucune exigence obligatoire. L'Article 4 contient des exigences obligatoires. L'Article 5 est normatif sans aucune exigence obligatoire. Le corps de la norme (Article 6 à Article 18) fournit les exigences obligatoires et des recommandations non obligatoires.

Dans le présent document, les exigences obligatoires sont indiquées par "doit", les recommandations non obligatoires sont indiquées par "il convient" et les exigences admissibles sont indiquées par "peut". L'expression "est exigé" indique que l'exigence a été énoncée précédemment dans le document.

GESTION DE SYSTÈMES D'ALARME DANS LES INDUSTRIES DE TRANSFORMATION

1 Domaine d'application

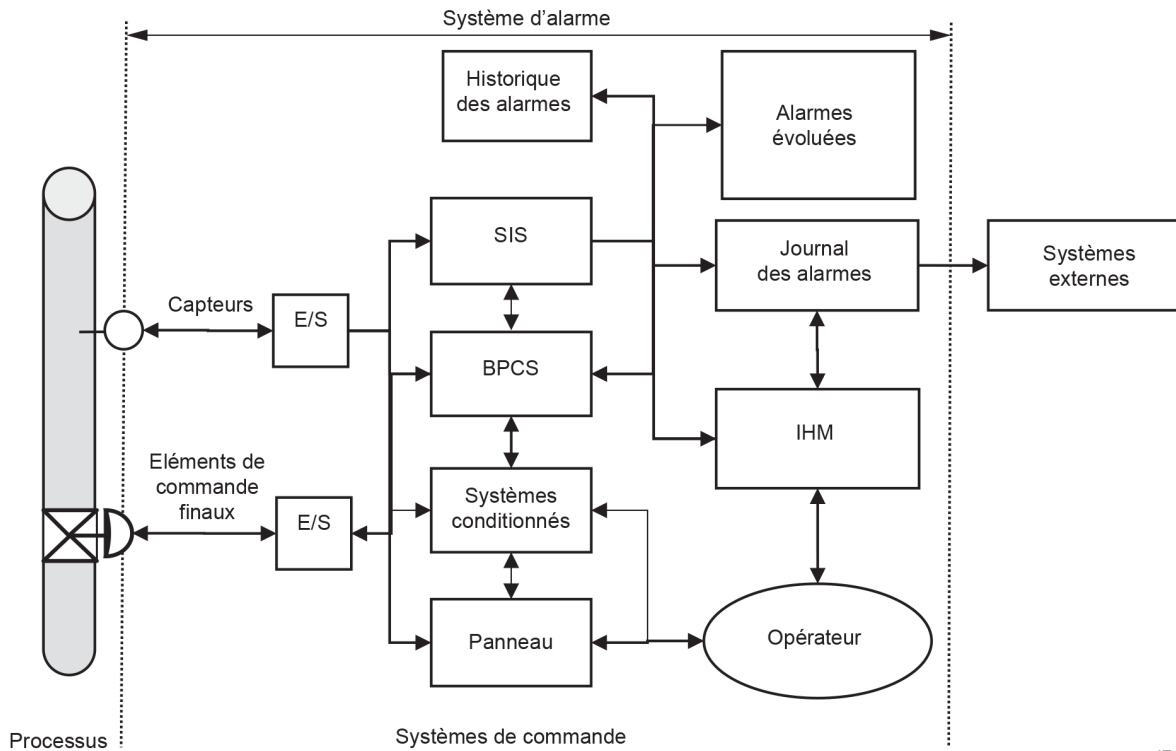
1.1 Applicabilité générale

Le présent document spécifie les principes et les processus généraux pour la gestion de systèmes d'alarme basés sur des systèmes de commande et des interfaces homme-machine (IHM) pour des moyens dans les industries de transformation. Il couvre toutes les alarmes présentées à l'opérateur par le système de commande, qui incluent les systèmes de commande de processus de base, les annonceurs, les systèmes conditionnés et les systèmes instrumentés de sécurité.

Les pratiques dans le présent document sont applicables aux processus continus, aux processus par lots et aux processus discrets. Il peut y avoir des différences de mise en œuvre pour satisfaire aux besoins spécifiques en fonction du type de processus.

La fonction première du système d'alarme est de notifier aux opérateurs les conditions de processus anormales ou les dysfonctionnements du matériel et d'aider à leur résolution. Les systèmes d'alarme peuvent inclure tant le système de commande de processus de base (BPCS) que le système instrumenté de sécurité (SIS), qui utilisent chacun les mesures des conditions de processus et une logique pour produire des alarmes. La Figure 1 représente les concepts d'alarme et de flux de données de réponse dans le système d'alarme. Le système d'alarme inclut également un mécanisme pour communiquer les informations d'alarme à l'opérateur par l'intermédiaire d'une IHM, habituellement un écran de calculateur ou un annonceur. Les fonctions supplémentaires du système d'alarme consistent en un journal des alarmes et des événements, un historique des alarmes et la production d'une métrique de performances pour le système d'alarme. Il existe des systèmes externes qui peuvent utiliser les données issues du système d'alarme.

La Figure 1 ne représente pas le câblage physique.



IEC

NOTE 1 Les systèmes conditionnés (par exemple machines frigorifiques) peuvent être inclus dans le système de commande.

NOTE 2 Le terme "tableau" peut faire référence à un tableau annonciateur ou à d'autres types de tableaux.

NOTE 3 Les lignes sont destinées à représenter le flux de données et non le câblage physique.

Figure 1 – Flux de données du système d'alarme

1.2 Exclusions et inclusions

1.2.1 Opérateurs

Les fonctions de l'opérateur recevant des alarmes et y répondant sont incluses dans le domaine d'application du présent document. La gestion des opérateurs est exclue du domaine d'application du présent document.

1.2.2 Capteurs de processus et éléments de commande finaux

Les alarmes mises en œuvre dans des capteurs et des éléments finaux de commande sont incluses dans le domaine d'application du présent document. La conception et la gestion des capteurs de processus et des éléments finaux de commande sont exclues du domaine d'application du présent document.

1.2.3 Annonceurs

L'intégration d'annonceurs dans un système d'alarme est incluse dans le domaine d'application du présent document. La spécification et la conception d'annonceurs sont exclues du domaine d'application du présent document.

1.2.4 Interface homme-machine

L'aspect des alarmes dans l'IHM et les fonctions d'alarme relatives aux affichages sont inclus dans le domaine d'application du présent document. La conception et la maintenance de l'IHM sont exclues du présent document.

NOTE L'ANSI/ISA-101.01-2015 fournit des informations sur la conception et la maintenance de l'IHM.

1.2.5 Systèmes instrumentés de sécurité

Les alarmes mises en œuvre dans un système instrumenté de sécurité sont incluses dans le domaine d'application du présent document. La conception et la gestion des systèmes instrumentés de sécurité sont exclues du présent document.

NOTE L'IEC 61511-1 fournit des informations sur les systèmes instrumentés de sécurité.

1.2.6 Systèmes de détection et de protection contre l'incendie et le gaz

Les alarmes issues des systèmes de détection et de protection contre l'incendie et le gaz présentées à l'opérateur par le système de commande sont incluses dans le domaine d'application du présent document. La conception et la gestion des systèmes de détection et de protection contre l'incendie et le gaz sont exclues du domaine d'application du présent document.

1.2.7 Systèmes de sécurité

Les alarmes issues des systèmes de sécurité présentées à l'opérateur par le système de commande sont incluses dans le domaine d'application du présent document. La conception et la gestion des systèmes de sécurité sont exclues du domaine d'application du présent document.

1.2.8 Systèmes conditionnés

Les alarmes issues des systèmes conditionnés présentées à l'opérateur par le système de commande sont incluses dans le domaine d'application du présent document. La conception et la gestion des systèmes conditionnés sont exclues du domaine d'application du présent document.

1.2.9 Données d'événement

L'indication et le traitement des données analogiques, discrètes et événementielles autres que les indications d'alarme sont exclus du domaine d'application du présent document. Les techniques d'analyse utilisant des données d'alarme et d'événement sont exclues du domaine d'application du présent document.

1.2.10 Méthodes d'identification des alarmes

Des méthodes exigées d'identification d'alarme ne sont pas spécifiées dans le présent document. Des exemples de méthodes d'identification des alarmes sont énumérés.

1.2.11 Gestion des changements

Une procédure spécifique de gestion des changements (MOC) n'est pas incluse dans le présent document. Un certain nombre d'exigences et de recommandations relatives à une procédure MOC sont incluses.

1.2.12 Spécification d'achat

Le présent document n'est pas destiné à être utilisé comme une spécification d'achat de systèmes d'alarme.

2 Références normatives

Le présent document ne contient aucune référence normative.