



INTERNATIONAL STANDARD

NORME INTERNATIONALE



LED modules for general lighting – Performance requirements

Modules de LED pour éclairage général – Exigences de performance

INTERNATIONAL
ELECTROTECHNICAL
COMMISSION

COMMISSION
ELECTROTECHNIQUE
INTERNATIONALE

PRICE CODE
CODE PRIX



ICS 29.140.99

ISBN 978-2-8322-1968-3

**Warning! Make sure that you obtained this publication from an authorized distributor.
Attention! Veuillez vous assurer que vous avez obtenu cette publication via un distributeur agréé.**

CONTENTS

| | |
|---|----|
| FOREWORD..... | 5 |
| INTRODUCTION..... | 8 |
| 1 Scope..... | 9 |
| 1.1 General..... | 9 |
| 1.2 Statement | 10 |
| 2 Normative references | 10 |
| 3 Terms and definitions | 11 |
| 4 Marking | 14 |
| 4.1 Mandatory marking | 14 |
| 4.2 Additional marking | 15 |
| 5 Dimensions..... | 16 |
| 6 Test conditions | 16 |
| 6.1 General test conditions | 16 |
| 6.2 Creation of module families to reduce test effort | 17 |
| 6.2.1 General | 17 |
| 6.2.2 Variations within a family | 17 |
| 6.2.3 Compliance testing of family members..... | 18 |
| 7 Electrical LED module input..... | 18 |
| 7.1 LED module power..... | 18 |
| 7.2 Displacement factor (u.c.) | 18 |
| 8 Light output | 19 |
| 8.1 Luminous flux | 19 |
| 8.2 Luminous intensity distribution, peak intensity and beam angle..... | 19 |
| 8.2.1 General | 19 |
| 8.2.2 Measurement..... | 19 |
| 8.2.3 Luminous intensity distribution..... | 19 |
| 8.2.4 Peak intensity value..... | 19 |
| 8.2.5 Beam angle value | 19 |
| 8.3 Luminous efficacy | 20 |
| 9 Chromaticity coordinates, correlated colour temperature (CCT) and colour rendering..... | 20 |
| 9.1 Chromaticity coordinates..... | 20 |
| 9.2 Correlated colour temperature (CCT) | 21 |
| 9.3 Colour rendering index (CRI) | 21 |
| 10 LED module life | 21 |
| 10.1 General..... | 21 |
| 10.2 Lumen maintenance..... | 21 |
| 10.3 Endurance tests | 23 |
| 10.3.1 General | 23 |
| 10.3.2 Temperature cycling test | 23 |
| 10.3.3 Supply switching test | 25 |
| 10.3.4 Accelerated operation life test | 25 |
| 11 Verification | 25 |
| 12 Information for luminaire design..... | 26 |
| Annex A (normative) Method of measuring LED module characteristics | 27 |

| | | |
|--|---|----|
| A.1 | General..... | 27 |
| A.2 | Electrical characteristics | 28 |
| A.2.1 | Test voltage, current or power | 28 |
| A.2.2 | Ageing | 28 |
| A.3 | Photometric characteristics | 28 |
| A.3.1 | Test voltage, current or power | 28 |
| A.3.2 | Luminous flux | 28 |
| A.3.3 | Luminous intensity distribution..... | 28 |
| A.3.4 | Peak intensity..... | 29 |
| A.3.5 | Beam angle | 29 |
| A.3.6 | Colour rendering..... | 29 |
| A.3.7 | Chromaticity coordinate values | 29 |
| Annex B (informative) | Information for luminaire design | 30 |
| B.1 | Temperature stability | 30 |
| B.2 | Binning procedure of white colour LEDs..... | 30 |
| B.3 | Ingress protection | 30 |
| Annex C (informative) | Explanation of recommended LED product lifetime metrics..... | 31 |
| C.1 | General..... | 31 |
| C.2 | Life time specification for gradual light output degradation | 32 |
| C.3 | Lifetime specification for abrupt light output degradation..... | 33 |
| C.4 | Combined gradual and abrupt light output degradation | 33 |
| C.5 | Overview of LED lifetime metrics and related lighting product groups..... | 35 |
| C.6 | Example lifetime metric values..... | 36 |
| Annex D (normative) | Explanation of the photometric code | 38 |
| Annex E (normative) | Measurement of displacement factor | 39 |
| E.1 | General..... | 39 |
| E.2 | Phase shift angle definition | 39 |
| E.3 | Measurements requirements | 40 |
| E.3.1 | Measurement circuit and supply source | 40 |
| E.3.2 | Requirements for measurement equipment..... | 40 |
| E.3.3 | Test conditions | 40 |
| Annex F (informative) | Explanation of displacement factor | 41 |
| F.1 | General..... | 41 |
| F.2 | Recommended values for displacement factor | 41 |
| Annex G (informative) | Examples of LED dies and LED packages..... | 43 |
| G.1 | LED die..... | 43 |
| G.2 | LED package | 44 |
| Annex H (informative) | Test equipment for temperature measurement | 45 |
| H.1 | General..... | 45 |
| H.2 | Set-up and procedure | 45 |
| Bibliography..... | | 46 |
| Figure 1 – Types of LED modules | | 9 |
| Figure 2 – Luminous flux depreciation over test time..... | | 23 |
| Figure C.1 – Lumen output over life of a LED-based luminaire comprised of a single LED module..... | | 31 |
| Figure C.2 – Life time specification for gradual light output degradation..... | | 32 |

| | |
|---|----|
| Figure C.3 – Reliability curve R_{abrupt} for abrupt light output degradation | 33 |
| Figure C.4 – Reliability curve R_{gradual} for gradual light output degradation | 34 |
| Figure C.5 – Combined R_{gradual} and R_{abrupt} degradation | 35 |
| Figure C.6 – Overview of LED lifetime metrics | 36 |
| Figure E.1 – Definition of the fundamental current phase shift angle φ_1 (I_1 leads U_{mains} , $\varphi_1 > 0$) | 39 |
| Figure E.2 – Definition of the fundamental current phase shift angle φ_1 (I_1 lags U_{mains} , $\varphi_1 < 0$) | 40 |
| Figure G.1 – Schematic drawings of LED dies | 43 |
| Figure G.2 – Schematic drawings of LED packages | 44 |
| | |
| Table 1 – Mandatory marking and location of marking ¹ | 14 |
| Table 2 – LED module life time information | 15 |
| Table 3 – Optional marking and location of marking | 16 |
| Table 4 – Allowed variations within a family | 17 |
| Table 5 – Tolerance (categories) on rated chromaticity coordinate values | 20 |
| Table 6 – Lumen maintenance code at an operational time as stated in 6.1 | 22 |
| Table 7 – Sample sizes | 26 |
| Table C.1 – Example lifetime metric values for lumen maintenance factor ratings | 36 |
| numbers in % | 36 |
| Table C.2 – Example lifetime metric values for abrupt failure | 37 |
| numbers in % | 37 |
| Table C.3 – Example lifetime metric values of x for median LED lamp life (combined failures) | 37 |
| numbers in % | 37 |
| Table C.4 – Example lifetime metric values | 37 |
| Table F.1 – Recommended values for displacement factor | 42 |

INTERNATIONAL ELECTROTECHNICAL COMMISSION

LED MODULES FOR GENERAL LIGHTING – PERFORMANCE REQUIREMENTS

FOREWORD

- 1) The International Electrotechnical Commission (IEC) is a worldwide organization for standardization comprising all national electrotechnical committees (IEC National Committees). The object of IEC is to promote international co-operation on all questions concerning standardization in the electrical and electronic fields. To this end and in addition to other activities, IEC publishes International Standards, Technical Specifications, Technical Reports, Publicly Available Specifications (PAS) and Guides (hereafter referred to as "IEC Publication(s)"). Their preparation is entrusted to technical committees; any IEC National Committee interested in the subject dealt with may participate in this preparatory work. International, governmental and non-governmental organizations liaising with the IEC also participate in this preparation. IEC collaborates closely with the International Organization for Standardization (ISO) in accordance with conditions determined by agreement between the two organizations.
- 2) The formal decisions or agreements of IEC on technical matters express, as nearly as possible, an international consensus of opinion on the relevant subjects since each technical committee has representation from all interested IEC National Committees.
- 3) IEC Publications have the form of recommendations for international use and are accepted by IEC National Committees in that sense. While all reasonable efforts are made to ensure that the technical content of IEC Publications is accurate, IEC cannot be held responsible for the way in which they are used or for any misinterpretation by any end user.
- 4) In order to promote international uniformity, IEC National Committees undertake to apply IEC Publications transparently to the maximum extent possible in their national and regional publications. Any divergence between any IEC Publication and the corresponding national or regional publication shall be clearly indicated in the latter.
- 5) IEC itself does not provide any attestation of conformity. Independent certification bodies provide conformity assessment services and, in some areas, access to IEC marks of conformity. IEC is not responsible for any services carried out by independent certification bodies.
- 6) All users should ensure that they have the latest edition of this publication.
- 7) No liability shall attach to IEC or its directors, employees, servants or agents including individual experts and members of its technical committees and IEC National Committees for any personal injury, property damage or other damage of any nature whatsoever, whether direct or indirect, or for costs (including legal fees) and expenses arising out of the publication, use of, or reliance upon, this IEC Publication or any other IEC Publications.
- 8) Attention is drawn to the Normative references cited in this publication. Use of the referenced publications is indispensable for the correct application of this publication.
- 9) Attention is drawn to the possibility that some of the elements of this IEC Publication may be the subject of patent rights. IEC shall not be held responsible for identifying any or all such patent rights.

International Standard IEC 62717 has been prepared by subcommittee 34A: Lamps, of IEC technical committee 34: Lamps and related equipment.

This first edition cancels and replaces IEC PAS 62717 published in 2011. This edition constitutes a technical revision.

This edition includes the following significant technical changes with respect to IEC PAS 62717.

- all terms and definitions are aligned with IEC 62504 and relevant documents of CIE. For example, general terms like "rated value" are shifted to IEC 62504.
- a statement on the applicability on a population is included.
- the normative references are completed and cleaned from standards that are not in use.
- with regard to EMC, references to harmonic currents are given.
- the change, which has an effect on most parts of the standard, is the split of failure mechanisms into abrupt failures and luminous flux depreciation. Consequently, new

terms and definitions, new requirements for lumen maintenance and a complete new structure and contents of Annex C are introduced.

- transition from t_{pmax} to t_{prated} is made, with the background that there is not one t_{pmax} , but a choice of t_p (rated) values, in combination with lifetime.
- places where to mark (product, packaging, data sheets) are changed, and as a consequence of the split of failure mechanisms, new parameters are listed. Further, changes in the endurance test (ramping speed of temperature) are reflected in marking.
- the concept of displacement factor instead of power factor is introduced. This led to new definitions, requirements and Annexes E and F.
- the requirements on luminous efficacy are changed.
- the requirements, associated with the family concept are reviewed.
- statistics, based on confidence intervals are removed. This concerns requirements and limits for LED module power and luminous flux and deletion of Annex E.
- new requirements for lumen maintenance are introduced.
- as part of the endurance test, the maximum light decrease after accelerated operation life test is now fixed.
- with regard to the discussion on type test and sample size, the number of pieces in a test sample is drastically reduced, see Table 7.
- Annex A on measuring methods is completely restructured and reviewed, for example for ambient temperature and for shortening of stabilisation time when conducting subsequent light output measurements.
- for electrical characteristics, the ageing time may be chosen as 500 h.
- for photometric data file formats, reference is given to IEC 62722-1.
- mistakes in the photometric code (Annex D) are corrected.
- Annex G on optimised test duration is removed; instead, an INF sheet shall be published.
- from the luminaire standard, a new Annex H on “Test equipment for temperature measurement” is taken over.
- finally, the Bibliography is updated.

The text of this standard is based on the following documents:

| FDIS | Report on voting |
|---------------|------------------|
| 34A/1796/FDIS | 34A/1817/RVD |

Full information on the voting for the approval of this standard can be found in the report on voting indicated in the above table.

This publication has been drafted in accordance with the ISO/IEC Directives, Part 2.

In this standard, the following print types are used:

- requirements: roman type.
- *test specifications: italic type.*
- notes: smaller roman type.

The committee has decided that the contents of this publication will remain unchanged until the stability date indicated on the IEC web site under "<http://webstore.iec.ch>" in the data related to the specific publication. At this date, the publication will be

- reconfirmed,
- withdrawn,
- replaced by a revised edition, or
- amended.

IMPORTANT – The 'colour inside' logo on the cover page of this publication indicates that it contains colours which are considered to be useful for the correct understanding of its contents. Users should therefore print this document using a colour printer.

INTRODUCTION

The first edition of a performance standard (precursor: IEC PAS 62717) for LED modules for general lighting applications acknowledges the need for relevant tests for this new source of electrical light, sometimes called “solid state lighting”. The publication is closely related to simultaneously developed performance standard publication (which also started with a Publicly Available Specification) for luminaires in general (IEC 62722-1) and for LED-luminaires (IEC 62722-2-1). Changes in the LED module standard will have an impact on the luminaire standards and vice versa, due to the behaviour of LED. Therefore, in the development of the present standard, a close collaboration between experts of both products has taken place.

The provisions in the standard represent the technical knowledge of experts from the fields of the semiconductor (LED chip) industry and of those of the traditional electrical light sources.

Three types of LED-modules are covered: with integral controlgear, with means of control on board, but with separate controlgear (“semi-ballasted”), and with complete separate controlgear.

LED MODULES FOR GENERAL LIGHTING – PERFORMANCE REQUIREMENTS

1 Scope

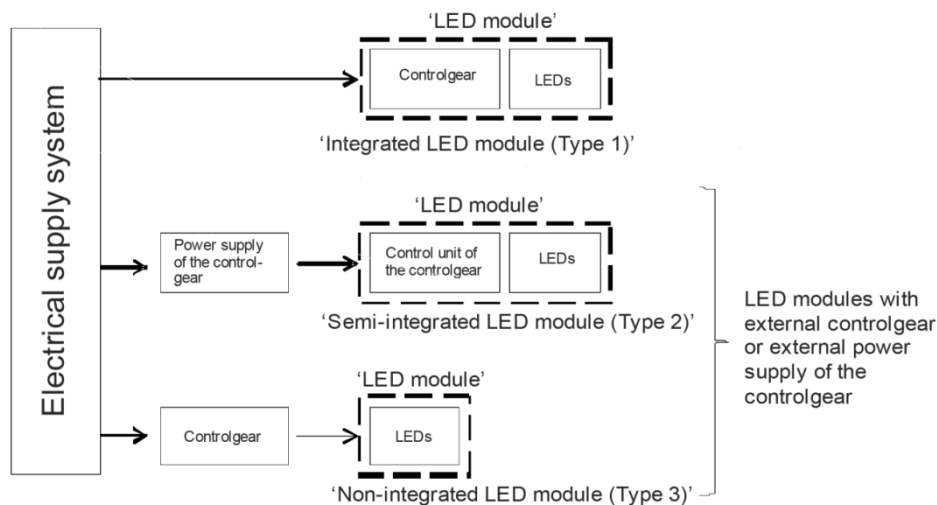
1.1 General

This International Standard specifies the performance requirements for LED modules, together with the test methods and conditions, required to show compliance with this standard. The following types of LED modules are distinguished and schematically shown in Figure 1:

Type 1: integrated LED modules for use on d.c. supplies up to 250 V or on a.c. supplies up to 1 000 V at 50 Hz or 60 Hz.

Type 2: LED modules operating with part of separate controlgear connected to the mains voltage, and having further control means inside (“semi-integrated”) for operation under constant voltage, constant current or constant power.

Type 3: LED modules where the complete controlgear is separate from the module (non-integrated) for operation under constant voltage, constant current or constant power.



IEC

The power supply of the controlgear for semi-ballasted LED modules (Type 2) is an electronic device capable of controlling currents, voltage or power within design limits.

The control unit of the controlgear for semi-ballasted LED modules (Type 2) is an electronic device to control the electrical energy to the LEDs.

A LED module with separate controlgear can be either a non-ballasted LED module or a semi-ballasted LED module.

Figure 1 – Types of LED modules

The requirements of this standard relate only to type testing.

Recommendations for whole product testing or batch testing are under consideration.

This standard covers LED modules, based on inorganic LED technology that produces white light.

Life time of LED modules is in most cases much longer than the practical test times. Consequently, verification of manufacturer's life time claims cannot be made in a sufficiently confident way, because projecting test data further in time is not standardised. For that reason the acceptance or rejection of a manufacturer's life time claim, past an operational time as stated in 6.1, is out of the scope of this standard.

Instead of life time validation this standard has opted for lumen maintenance codes at a defined finite test time. Therefore, the code number does not imply a prediction of achievable life time. The categories, represented by the code, are lumen-depreciation character categories showing behaviour in agreement with manufacturer's information which is provided before the test is started.

In order to validate a life time claim, an extrapolation of test data is needed. A general method of projecting measurement data beyond limited test time is under consideration.

The pass/fail criterion of the life time test as defined in this standard is different from the life time metrics claimed by manufacturers. For explanation of recommended life time metrics, see Annex C.

NOTE When modules are operated in a luminaire, the claimed performance data can deviate from the values established via this standard due to e.g. luminaire components that impact the performance of the LED module.

The separate electronic controlgear for LED modules as mentioned in Type 2 and Type 3 is not part of the testing against the requirements of this standard.

Protection for water and dust ingress, see B.3.

1.2 Statement

It may be expected that integrated LED modules which comply with this standard will start and operate satisfactorily at voltages between 92 % and 106 % of rated supply voltage. LED modules with separate controlgear are expected to start and operate satisfactorily in combination with the specified controlgear complying with IEC 61347-2-13 and IEC 62384. All LED modules are expected to start and operate satisfactorily when operated under the conditions specified by the LED module manufacturer and in a luminaire complying with IEC 60598-1.

The requirements for individuals apply for 95 % of the population.

2 Normative references

The following documents, in whole or in part, are normatively referenced in this document and are indispensable for its application. For dated references, only the edition cited applies. For undated references, the latest edition of the referenced document (including any amendments) applies.

IEC 60050-845:1987, *International Electrotechnical Vocabulary – Chapter 845: Lighting*

IEC 60068-2-14, *Environmental testing – Part 2-14: Tests – Test N: Change of temperature*

IEC 60068-3-5:2001, *Environmental testing – Part 3-5: Supporting documentation and guidance – Confirmation of the performance of temperature chambers*

IEC 60081, *Double-capped fluorescent lamps – Performance specifications*

IEC 61000-3-2:2005¹, *Electromagnetic compatibility (EMC) – Part 3-2: Limits – Limits for harmonic current emissions (equipment input current ≤ 16 A per phase)*

IEC 61000-3-2:2005/AMD 1:2008

IEC 61000-3-2:2005/AMD 2:2009

IEC 61000-4-7, *Electromagnetic compatibility (EMC) – Part 4-7: Testing and measurement techniques – General guide on harmonics and interharmonics measurements and instrumentation, for power supply systems and equipment connected thereto*

IEC TR 61341, *Method of measurement of centre beam intensity and beam angle(s) of reflector lamps*

IEC 61347-2-13, *Lamp controlgear – Part 2-13: Particular requirements for d.c. or a.c. supplied electronic controlgear for LED modules*

IEC 62031:2008, *LED modules for general lighting – Safety specifications*

IEC 62504, *General lighting – Light emitting diode (LED) products and related equipment – Terms and definitions*

CIE 13.3:1995, *Method of measuring and specifying colour rendering properties of light sources*

CIE 121:1996, *The photometry and goniophotometry of luminaires*

CIE 177:2007, *Colour rendering of white LED light sources*

¹ Third edition. This edition has been replaced in 2014 by IEC 61000-3-2:2014, *Electromagnetic compatibility (EMC) – Part 3-2: Limits – Limits for harmonic current emissions (equipment input current ≤ 16 A per phase)*.

SOMMAIRE

| | |
|--|----|
| AVANT-PROPOS | 51 |
| INTRODUCTION..... | 54 |
| 1 Domaine d'application | 55 |
| 1.1 Généralités | 55 |
| 1.2 Énoncé | 56 |
| 2 Références normatives | 57 |
| 3 Termes et définitions | 58 |
| 4 Marquage | 61 |
| 4.1 Marquage obligatoire | 61 |
| 4.2 Marquage additionnel..... | 62 |
| 5 Dimensions..... | 63 |
| 6 Conditions d'essai | 63 |
| 6.1 Conditions générales d'essai | 63 |
| 6.2 Création de familles de modules de LED pour réduire l'effort d'essai | 64 |
| 6.2.1 Généralités | 64 |
| 6.2.2 Variations au sein d'une famille | 64 |
| 6.2.3 Essais de conformité des membres de la famille..... | 65 |
| 7 Entrée électrique du module de LED..... | 65 |
| 7.1 Puissance du module de LED | 65 |
| 7.2 Facteur de déphasage (u.c.) | 65 |
| 8 Rendement lumineux normalisé | 66 |
| 8.1 Flux lumineux | 66 |
| 8.2 Répartition de l'intensité lumineuse, intensité maximale et angle du faisceau..... | 66 |
| 8.2.1 Généralités | 66 |
| 8.2.2 Mesurage | 66 |
| 8.2.3 Répartition de l'intensité lumineuse | 66 |
| 8.2.4 Valeur de l'intensité maximale | 66 |
| 8.2.5 Valeur de l'angle du faisceau | 67 |
| 8.3 Efficacité lumineuse..... | 67 |
| 9 Coordonnées trichromatiques, température de couleur proximale (CCT) et rendu des couleurs..... | 67 |
| 9.1 Coordonnées trichromatiques | 67 |
| 9.2 Température de couleur proximale (CCT) | 68 |
| 9.3 Indice de rendu des couleurs (IRC)..... | 68 |
| 10 Durée de vie du module de LED | 69 |
| 10.1 Généralités | 69 |
| 10.2 Conservation du flux lumineux | 69 |
| 10.3 Essais d'endurance..... | 71 |
| 10.3.1 Généralités..... | 71 |
| 10.3.2 Essai de cycles de températures | 71 |
| 10.3.3 Essai de commutation d'alimentation | 73 |
| 10.3.4 Essai accéléré de durée de fonctionnement..... | 73 |
| 11 Vérification | 74 |
| 12 Informations relatives à la conception du luminaire..... | 74 |
| Annexe A (normative) Méthode de mesure des caractéristiques des modules de LED | 75 |

| | | |
|---|---|----|
| A.1 | Généralités | 75 |
| A.2 | Caractéristiques électriques | 76 |
| A.2.1 | Tension, courant ou puissance d'essai | 76 |
| A.2.2 | Vieillessement | 76 |
| A.3 | Caractéristiques photométriques | 76 |
| A.3.1 | Tension, courant ou puissance d'essai | 76 |
| A.3.2 | Flux lumineux | 76 |
| A.3.3 | Répartition de l'intensité lumineuse | 77 |
| A.3.4 | Intensité maximale | 77 |
| A.3.5 | Angle du faisceau | 77 |
| A.3.6 | Rendu des couleurs | 77 |
| A.3.7 | Valeurs des coordonnées trichromatiques | 77 |
| Annexe B (informative) | Informations relatives à la conception du luminaire | 78 |
| B.1 | Stabilité de la température | 78 |
| B.2 | Procédure de tri ("binning") des couleurs pour les LED de couleur blanche | 78 |
| B.3 | Degré de protection du module de LED | 78 |
| Annexe C (informative) | Explication des méthodes de mesure recommandées de durée de vie du produit à LED | 79 |
| C.1 | Généralités | 79 |
| C.2 | Spécification de la durée de vie pour la dégradation progressive du rendement lumineux normalisé | 80 |
| C.3 | Spécification de la durée de vie pour la dégradation brusque du rendement lumineux normalisé | 82 |
| C.4 | Dégradation progressive et brusque combinée du rendement lumineux normalisé | 83 |
| C.5 | Vue d'ensemble des méthodes de mesure de durée de vie des LED et des groupes de produits d'éclairage associés | 84 |
| C.6 | Exemple de valeurs de mesure de durée de vie | 86 |
| Annexe D (normative) | Explication du code photométrique | 88 |
| Annexe E (normative) | Mesurage du facteur de déphasage | 89 |
| E.1 | Généralités | 89 |
| E.2 | Définition de l'angle de déphasage | 89 |
| E.3 | Exigences relatives aux mesurages | 90 |
| E.3.1 | Circuit de mesure et source d'alimentation | 90 |
| E.3.2 | Exigences relatives aux appareils de mesure | 90 |
| E.3.3 | Conditions d'essai | 90 |
| Annexe F (informative) | Explication du facteur de déphasage | 91 |
| F.1 | Généralités | 91 |
| F.2 | Valeurs recommandées pour le facteur de déphasage | 91 |
| Annexe G (informative) | Exemples de puces LED et de LED encapsulées | 93 |
| G.1 | Puce LED | 93 |
| G.2 | LED encapsulées | 94 |
| Annexe H (informative) | Équipement d'essai pour le mesurage de la température | 95 |
| H.1 | Généralités | 95 |
| H.2 | Réglage et procédure | 95 |
| Bibliographie | | 96 |
| Figure 1 – Types de modules de LED | | 56 |
| Figure 2 – Dépréciation du flux lumineux pendant la durée d'essai | | 71 |

| | |
|---|----|
| Figure C.1 – Rendement lumineux au cours de la durée de vie d'un luminaire à base de LED constitué d'un module de LED unique..... | 80 |
| Figure C.2 – Spécification de la durée de vie pour la dégradation progressive du rendement lumineux normalisé | 81 |
| Figure C.3 – Courbe de fiabilité R_{brusque} pour la dégradation brusque du rendement lumineux normalisé | 82 |
| Figure C.4 – Courbe de fiabilité $R_{\text{progressive}}$ pour la dégradation progressive du rendement lumineux normalisé | 83 |
| Figure C.5 – Dégradation combinée $R_{\text{progressive}}$ et R_{brusque} | 84 |
| Figure C.6 – Vue d'ensemble des méthodes de mesure de durée de vie des LED..... | 86 |
| Figure E.1 – Définition de l'angle de déphasage du courant fondamental φ_1 (I_1 est en avance par rapport à U_{mains} , $\varphi_1 > 0$) | 89 |
| Figure E.2 – Définition de l'angle de déphasage du courant fondamental φ_1 (I_1 est en retard par rapport à U_{mains} , $\varphi_1 < 0$) | 90 |
| Figure G.1 – Dessins schématiques de puces LED | 93 |
| Figure G.2 – Dessins schématiques de LED encapsulées | 94 |
| | |
| Tableau 1 – Marquage obligatoire et emplacement du marquage ¹ | 61 |
| Tableau 2 – Informations relatives à la durée de vie du module de LED..... | 62 |
| Tableau 3 – Marquage facultatif et emplacement du marquage | 63 |
| Tableau 4 – Variations autorisées au sein d'une famille | 64 |
| Tableau 5 – Tolérance (catégories) sur les valeurs assignées des coordonnées trichromatiques | 68 |
| Tableau 6 – Code de conservation du flux lumineux après une durée de fonctionnement telle que spécifiée au 6.1 | 69 |
| Tableau 7 – Effectifs d'échantillon..... | 74 |
| Tableau C.1 – Exemple de valeurs de mesure de durée de vie pour les caractéristiques assignées du facteur de maintenance du flux lumineux | 86 |
| Tableau C.2 – Exemple de valeurs de mesure de durée de vie pour la défaillance brusque | 86 |
| Tableau C.3 – Exemple de valeurs de mesure de durée de vie de x pour la durée de vie médiane de la lampe à LED (défaillances combinées) | 87 |
| Tableau C.4 – Exemple de valeurs de mesure de durée de vie | 87 |
| Tableau F.1 – Valeurs recommandées pour le facteur de déphasage..... | 92 |

COMMISSION ÉLECTROTECHNIQUE INTERNATIONALE

MODULES DE LED POUR ÉCLAIRAGE GÉNÉRAL – EXIGENCES DE PERFORMANCE

AVANT-PROPOS

- 1) La Commission Electrotechnique Internationale (IEC) est une organisation mondiale de normalisation composée de l'ensemble des comités électrotechniques nationaux (Comités nationaux de l'IEC). L'IEC a pour objet de favoriser la coopération internationale pour toutes les questions de normalisation dans les domaines de l'électricité et de l'électronique. À cet effet, l'IEC – entre autres activités – publie des Normes internationales, des Spécifications techniques, des Rapports techniques, des Spécifications accessibles au public (PAS) et des Guides (ci-après dénommés "Publication(s) de l'IEC"). Leur élaboration est confiée à des comités d'études, aux travaux desquels tout Comité national intéressé par le sujet traité peut participer. Les organisations internationales, gouvernementales et non gouvernementales, en liaison avec l'IEC, participent également aux travaux. L'IEC collabore étroitement avec l'Organisation Internationale de Normalisation (ISO), selon des conditions fixées par accord entre les deux organisations.
- 2) Les décisions ou accords officiels de l'IEC concernant les questions techniques représentent, dans la mesure du possible, un accord international sur les sujets étudiés, étant donné que les Comités nationaux de l'IEC intéressés sont représentés dans chaque comité d'études.
- 3) Les Publications de l'IEC se présentent sous la forme de recommandations internationales et sont agréées comme telles par les Comités nationaux de l'IEC. Tous les efforts raisonnables sont entrepris afin que l'IEC s'assure de l'exactitude du contenu technique de ses publications; l'IEC ne peut pas être tenue responsable de l'éventuelle mauvaise utilisation ou interprétation qui en est faite par un quelconque utilisateur final.
- 4) Dans le but d'encourager l'uniformité internationale, les Comités nationaux de l'IEC s'engagent, dans toute la mesure possible, à appliquer de façon transparente les Publications de l'IEC dans leurs publications nationales et régionales. Toutes divergences entre toutes Publications de l'IEC et toutes publications nationales ou régionales correspondantes doivent être indiquées en termes clairs dans ces dernières.
- 5) L'IEC elle-même ne fournit aucune attestation de conformité. Des organismes de certification indépendants fournissent des services d'évaluation de conformité et, dans certains secteurs, accèdent aux marques de conformité de l'IEC. L'IEC n'est responsable d'aucun des services effectués par les organismes de certification indépendants.
- 6) Tous les utilisateurs doivent s'assurer qu'ils sont en possession de la dernière édition de cette publication.
- 7) Aucune responsabilité ne doit être imputée à l'IEC, à ses administrateurs, employés, auxiliaires ou mandataires, y compris ses experts particuliers et les membres de ses comités d'études et des Comités nationaux de l'IEC, pour tout préjudice causé en cas de dommages corporels et matériels, ou de tout autre dommage de quelque nature que ce soit, directe ou indirecte, ou pour supporter les coûts (y compris les frais de justice) et les dépenses découlant de la publication ou de l'utilisation de cette Publication de l'IEC ou de toute autre Publication de l'IEC, ou au crédit qui lui est accordé.
- 8) L'attention est attirée sur les références normatives citées dans cette publication. L'utilisation de publications référencées est obligatoire pour une application correcte de la présente publication.
- 9) L'attention est attirée sur le fait que certains des éléments de la présente Publication de l'IEC peuvent faire l'objet de droits de brevet. L'IEC ne saurait être tenue pour responsable de ne pas avoir identifié de tels droits de brevets et de ne pas avoir signalé leur existence.

La norme internationale IEC 62717 a été établie par le sous-comité 34A: Lampes, du comité d'études 34 de l'IEC: Lampes et équipements associés.

Cette première édition annule et remplace l'IEC PAS 62717 paru en 2011. Cette édition constitue une révision technique

Cette édition inclut les modifications techniques majeures suivantes par rapport à l'IEC PAS 62717:

- tous les termes et définitions sont alignés avec l'IEC 62504 et les documents pertinents de la CIE. Par exemple, les termes généraux comme "valeur nominale" sont décalés par rapport à l'IEC 62504;
- une déclaration sur l'applicabilité d'une population est incluse;
- les références normatives sont complétées et nettoyées des normes qui ne sont pas en usage;

- en ce qui concerne la CEM, les références aux courants harmoniques sont données;
- le changement, qui a un effet sur la plupart des parties de la norme, est la scission du mécanisme de défaillance sur les défaillances brutales et la baisse du flux lumineux. Par conséquent, de nouveaux termes et définitions, de nouvelles exigences pour la conservation du flux lumineux, une nouvelle structure complète et le contenu de l'annexe C sont introduits;
- la transition de t_{pmax} à t_{prated} est faite, avec le fond qu'il n'y a pas un t_{pmax} , mais un choix de t_p (classé) des valeurs, en rapport avec la durée de vie;
- les endroits où marquer (produits, emballages, feuilles de données) sont modifiés, en conséquence de la scission des mécanismes de défaillance, de nouveaux paramètres sont répertoriés. En outre, les changements dans l'essai d'endurance (vitesse de montée en température) sont pris en compte dans le marquage;
- la notion de facteur de déplacement à la place du facteur de puissance est introduite. Cela a conduit à de nouvelles définitions, des exigences et les Annexes E et F;
- les exigences en matière d'efficacité lumineuse sont modifiées;
- les exigences associées à la notion de famille sont passés en revue;
- les statistiques, basées sur des intervalles de confiance sont supprimés. Cela concerne les exigences et les limites de la puissance du module LED et du flux lumineux ainsi que la suppression de l'Annexe E;
- de nouvelles exigences relatives à la conservation du flux lumineux sont introduites;
- dans le cadre de l'essai d'endurance, la diminution maximum de lumière après l'essai accéléré de durée de fonctionnement est maintenant corrigée;
- en ce qui concerne la discussion sur l'essai de type et la taille de l'échantillon, le nombre de pièces dans un échantillon de test est fortement réduite, voir Tableau 7;
- l'Annexe A sur les méthodes de mesure est complètement restructurée et révisée, par exemple pour la température ambiante, raccourcir le temps de stabilisation lors des mesures de sortie de la lumière ultérieures;
- pour les caractéristiques électriques, le temps de vieillissement peut être choisi comme 500 h;
- pour les formats de fichiers de données photométriques référence est faite à l'IEC 62722-1;
- les erreurs dans le code photométrique (Annexe D) sont corrigées;
- l'Annexe G de la durée d'essai optimisée est supprimée; à la place, un bulletin INF est publiée;
- depuis la norme du luminaire, une nouvelle Annexe H sur "l'équipement d'essai pour la mesure de la température" est prise en charge;
- enfin, la bibliographie est mise à jour.

Le texte de cette première édition est issu des documents suivants:

| FDIS | Rapport de vote |
|---------------|-----------------|
| 34A/1796/FDIS | 34A/1817/RVD |

Le rapport de vote indiqué dans le tableau ci-dessus donne toute information sur le vote ayant abouti à l'approbation de cette norme.

Cette publication a été rédigée selon les Directives ISO/IEC, Partie 2.

Dans la présente norme, les caractères d'imprimerie suivants sont employés:

- exigences et définitions: caractères romains;

- *modalités d'essai: caractères italiques;*
- NOTES: petits caractères romains;

Le comité a décidé que le contenu de cette publication ne sera pas modifié avant la date de stabilité indiquée sur le site web de l'IEC sous "http://webstore.iec.ch", dans les données relatives à la publication recherchée. A cette date, la publication sera

- reconduite,
- supprimée,
- remplacée par une édition révisée, ou
- amendée.

IMPORTANT – Le logo "*colour inside*" qui se trouve sur la page de couverture de cette publication indique qu'elle contient des couleurs qui sont considérées comme utiles à une bonne compréhension de son contenu. Les utilisateurs devraient, par conséquent, imprimer cette publication en utilisant une imprimante couleur.

INTRODUCTION

La première édition d'une norme de performance (précurseur: IEC PAS 62717) concernant les modules de LED pour les applications d'éclairage général reconnaît le besoin d'essais appropriés pour cette nouvelle source lumineuse électrique, parfois appelée "solid state lighting" (éclairage à semi-conducteurs). La publication est étroitement liée à la publication de norme de performance (qui a aussi débuté avec une Publicly Available Specification) à la fois développée pour les luminaires en général (IEC 62722-1) et pour les luminaires à LED (IEC 62722-2-1). Les modifications apportées à la norme relative aux modules de LED ont une incidence sur les normes relatives aux luminaires et inversement, en raison du comportement de la LED. Par conséquent, la présente norme a été élaborée en étroite collaboration avec les experts des deux produits.

Les dispositions de la norme représentent la connaissance technique des experts des domaines de l'industrie des semi-conducteurs (puce LED) et de ceux des sources traditionnelles de lumière électrique.

Trois types de modules de LED sont traités: à appareillage intégral, avec des moyens de commande à bord, mais à appareillage séparé ("semi-intégré"), et à appareillage externe complet.

MODULES DE LED POUR ÉCLAIRAGE GÉNÉRAL – EXIGENCES DE PERFORMANCE

1 Domaine d'application

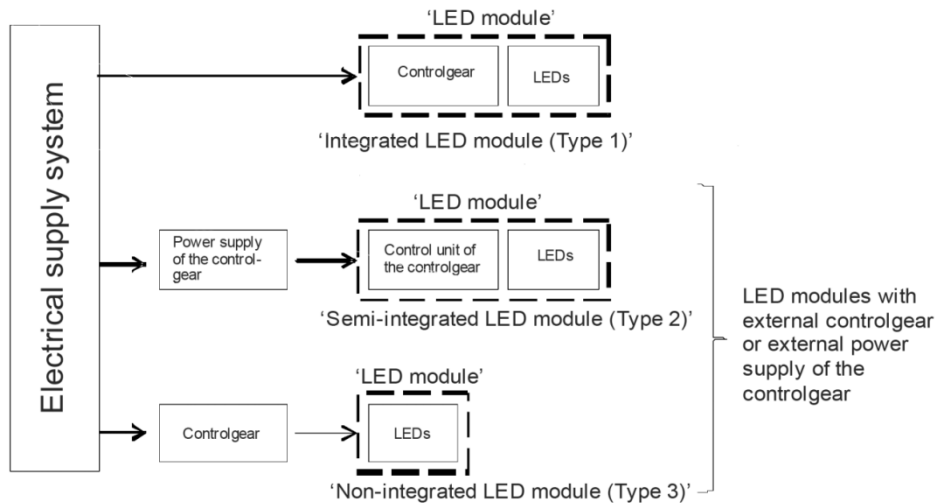
1.1 Généralités

La présente Norme Internationale spécifie les exigences de performance pour les modules de LED, ainsi que les méthodes et les conditions d'essai, nécessaires pour démontrer la conformité à la présente norme. Les types suivants de modules de LED se distinguent et sont représentés schématiquement à la Figure 1:

Type 1: Modules de LED intégrés pour utilisation sur des alimentations à courant continu jusqu'à 250 V ou à courant alternatif 50 Hz ou 60 Hz jusqu'à 1 000 V.

Type 2: Modules de LED fonctionnant avec une partie de l'appareillage externe connecté à la tension du réseau, et comportant d'autres moyens de commande internes ("semi-intégrés") pour un fonctionnement sous une tension constante, un courant constant ou une puissance constante.

Type 3: Modules de LED où l'appareillage complet est séparé du module de LED (non-intégré) pour un fonctionnement sous une tension constante, un courant constant ou une puissance constante.



IEC

Légende

| Anglais | Français |
|-------------------------------------|---|
| Electrical supply system | Système d'alimentation électrique |
| LED module | Module de LED |
| Controlgear | Appareillage |
| LEDs | LED |
| Integrated LED module (Type 1) | Module de LED intégré (Type 1) |
| Power supply of the controlgear | Alimentation électrique de l'appareillage |
| Control unit of the controlgear | Unité de commande de l'appareillage |
| Semi-integrated LED module (Type 2) | Module de LED semi-intégré (Type 2) |

| Anglais | Français |
|---|--|
| Non-integrated LED module (Type 3) | Module de LED non intégré (Type 3) |
| LED modules with external controlgear or external power supply of the controlgear | Modules de LED à appareillage externe ou alimentation électrique externe de l'appareillage |

L'alimentation de l'appareillage pour modules de LED semi-lestées (type 2) est un dispositif électronique capable de contrôler courant, tension ou puissance dans les limites de conception.

Le contrôleur de l'appareillage pour modules de LED semi-lestées (type 2) est un dispositif électronique de contrôle de l'énergie électrique pour les LED.

Un module LED avec appareillage externe distinct peut être soit un module LED non ballasté ou un module de LED semi-ballasté.

Figure 1 – Types de modules de LED

Les exigences de la présente Norme concernent uniquement les essais de type.

Les recommandations relatives aux essais de produits en intégralité ou aux essais par lot sont à l'étude.

La présente norme couvre les modules de LED, à base d'une technologie de LED inorganiques, qui produit une lumière blanche.

La durée de vie des modules de LED est, dans la plupart des cas, beaucoup plus longue que les durées appliquées dans les essais pratiques. Par conséquent, la vérification des déclarations de durée de vie du fabricant ne peut pas être effectuée de manière suffisamment fiable, parce que la projection des données d'essai plus loin dans le temps n'est pas normalisée. Pour cette raison, l'acceptation ou le rejet d'une déclaration de durée de vie des fabricants, au-delà d'un temps de fonctionnement tel qu'énoncé en 6.1, est hors du domaine d'application de la présente norme.

Ainsi, au lieu de considérer la validation de la durée de vie, la présente norme tient compte des codes de conservation du flux lumineux après une durée d'essai limitée définie. Par conséquent, le numéro de code n'implique nullement une prévision de durée de vie réalisable. Les catégories, représentées par le code, sont des catégories à caractère de dépréciation du flux lumineux présentant un comportement en accord avec les informations du fabricant qui sont fournies avant le début de l'essai.

Afin de valider une déclaration de durée de vie, une extrapolation des données d'essai est nécessaire. Une méthode générale de projection des données de mesure au-delà de la durée d'essai limitée est à l'étude.

Le critère de réussite/d'échec appliqué pour l'essai de durée de vie tel que défini dans la présente norme est différent de la méthode de mesure de durée de vie déclarée par les fabricants. Pour de plus amples explications sur les méthodes de mesure recommandées de durée de vie, se référer à l'Annexe C.

NOTE Lorsque les modules de LED fonctionnent dans un luminaire, les données de performance déclarées peuvent s'écarter des valeurs établies par la présente norme en raison, par exemple, des composants des luminaires qui influent sur la performance du module de LED.

L'appareillage électronique séparé pour les modules de LED tel que mentionné dans le Type 2 et le Type 3 ne fait pas partie des essais par rapport aux exigences de la présente norme.

Pour la protection contre la pénétration de l'eau et de la poussière, se référer à B.3.

1.2 Énoncé

Il est admis que les modules de LED intégrés qui sont conformes à la présente norme démarreront et fonctionneront de manière satisfaisante à des tensions comprises entre 92 % et 106 % de la tension d'alimentation assignée. Les modules de LED à appareillage séparé

sont censés démarrer et fonctionner de façon satisfaisante en combinaison avec l'appareillage spécifié conforme à l'IEC 61347-2-13 et à l'IEC 62384. Tous les modules de LED sont censés démarrer et fonctionner de façon satisfaisante lorsqu'ils sont utilisés dans les conditions spécifiées par le fabricant des modules de LED et dans un luminaire conforme à l'IEC 60598-1.

Les exigences relatives aux modules individuels s'appliquent pour 95 % de la population.

2 Références normatives

Les documents suivants sont cités en référence de manière normative, en intégralité ou en partie, dans le présent document et sont indispensables pour son application. Pour les références datées, seule l'édition citée s'applique. Pour les références non datées, la dernière édition du document de référence s'applique (y compris les éventuels amendements).

IEC 60050-845:1987, *Vocabulaire Electrotechnique International (VEI) – Chapitre 845: Éclairage*

IEC 60068-2-14, *Essais d'environnement – Partie 2-14:Essais – Essai N: Variation de température*

IEC 60068-3-5:2001, *Essais d'environnement – Partie 3-5: Documentation d'accompagnement et guide – Confirmation des performances des chambres d'essai en température*

IEC 60081, *Lampes à fluorescence à deux culots – Prescriptions de performance*

IEC 61000-3-2:2005,¹ *Compatibilité électromagnétique (CEM) – Partie 3-2: Limites – Limites pour les émissions de courant harmonique (courant appelé par les appareils ≤ 16 A par phase)*

IEC 61000-3-2:2005/AMD 1:2008

IEC 61000-3-2:2005/AMD 2:2009

IEC 61000-4-7, *Compatibilité électromagnétique (CEM) – Partie 4-7: Techniques d'essai et de mesure – Guide général relatif aux mesures d'harmoniques et d'interharmoniques, ainsi qu'à l'appareillage de mesure, applicable aux réseaux d'alimentation et aux appareils qui y sont raccordés*

IEC TR 61341, *Méthode de mesure de l'intensité dans l'axe du faisceau et de l'angle (ou des angles) d'ouverture des lampes à réflecteur*

IEC 61347-2-13, *Appareillages de lampes – Partie 2-13: Exigences particulières pour les appareillages électroniques alimentés en courant continu ou alternatif pour les modules de DEL*

IEC 62031:2008, *Modules de DEL pour éclairage général – Spécifications de sécurité*

IEC 62504, *Éclairage général – Produits à diode électroluminescente (LED) et équipements associés – Termes et définitions*

CIE 13.3:1995, *Method of measuring and specifying colour rendering properties of light sources* (disponible en anglais seulement)

¹ Troisième édition. Cette édition a été remplacée en 2014 par l'IEC 61000-3-2:2014, *Compatibilité électromagnétique (CEM) – Partie 3-2: Limites – Limites pour les émissions de courant harmonique (courant appelé par les appareils ≤ 16 A par phase)*.

CIE 121:1996, *The photometry and goniophotometry of luminaires* (disponible en anglais seulement)

CIE 177:2007, *Colour rendering of white LED light sources* (disponible en anglais seulement).