



# INTERNATIONAL STANDARD

# NORME INTERNATIONALE

---

**Connectors for electrical and electronic equipment –  
Part 1: Detail specification for two-way, shielded or unshielded, free and fixed  
connectors – Mechanical mating information, pin assignment and additional  
requirements for Type 1 copper LC style**

**Connecteurs pour équipements électriques et électroniques –  
Partie 1: Spécification particulière pour les fiches et les embases  
bidirectionnelles, écrantées ou non écrantées – Informations sur l'accouplement  
mécanique, brochage et exigences supplémentaires pour connecteur LC de type  
1 à doigts de guidage en cuivre**

INTERNATIONAL  
ELECTROTECHNICAL  
COMMISSION

COMMISSION  
ELECTROTECHNIQUE  
INTERNATIONALE

---

ICS 31.220.10

ISBN 978-2-8322-8076-8

**Warning! Make sure that you obtained this publication from an authorized distributor.  
Attention! Veuillez vous assurer que vous avez obtenu cette publication via un distributeur agréé.**

## CONTENTS

FOREWORD.....	4
INTRODUCTION.....	6
1 Scope.....	8
2 Normative references .....	8
3 Terms and definitions .....	9
4 Technical information .....	10
4.1 Compatibility level – Interoperability.....	10
4.2 Unshielded connectors.....	10
4.3 Use of UTP cable.....	10
5 Common features and typical connector pair .....	10
5.1 Mating information .....	10
5.1.1 General .....	10
5.1.2 Contacts – Mating conditions.....	11
5.1.3 Fixed connector.....	12
5.1.4 Free connector .....	15
6 Characteristics .....	16
6.1 General.....	16
6.2 Classification into climatic category .....	16
6.3 Electrical characteristics .....	17
6.3.1 General .....	17
6.3.2 Creepage and clearance distances .....	17
6.3.3 Contact resistance – Interface only (separable fixed and free contact).....	17
6.3.4 Input to output DC resistance .....	18
6.3.5 Input to output DC resistance unbalanced.....	18
6.3.6 Voltage proof.....	18
6.3.7 Current-temperature derating.....	18
6.3.8 Initial insulation resistance .....	18
6.4 Transmission characteristics .....	18
6.4.1 General .....	18
6.4.2 Insertion loss (IL).....	19
6.4.3 Return loss (RL) .....	19
6.4.4 Transverse conversion loss (TCL) .....	19
6.4.5 Transfer conversion transfer loss (TCTL).....	19
6.4.6 Power sum alien near-end crosstalk loss (PS ANEXT).....	19
6.4.7 Power sum alien far-end crosstalk loss (PS AFEXT).....	20
6.4.8 Transfer impedance (shielded only).....	20
6.4.9 Coupling attenuation.....	20
6.5 Mechanical characteristics .....	20
6.5.1 Mechanical operation.....	20
6.5.2 Effectiveness of connector coupling devices .....	20
6.5.3 Insertion and withdrawal forces .....	20
7 Tests and test schedule.....	21
7.1 General.....	21
7.2 Arrangement for contact resistance measurement.....	21
7.3 Arrangement for vibration test (test phase CP1).....	22
7.4 Test procedures and measuring methods.....	22

7.5	Preconditioning .....	22
8	Test schedules .....	23
8.1	Basic (minimum) test schedule.....	23
8.2	Full test schedule.....	23
8.2.1	General .....	23
8.2.2	Test group P – Preliminary .....	23
8.2.3	Test group AP – Climatic .....	24
8.2.4	Test group BP – Mechanical .....	25
8.2.5	Test group CP – Vibration.....	26
8.2.6	Test group DP – Electrical load .....	27
8.2.7	Test group EP – Electrical transmission.....	27
8.2.8	Test group GP – Transfer Impedance and Coupling Attenuation .....	28
Annex A	(normative) Locking-device mechanical operation .....	29
A.1	Object.....	29
A.2	Preparation of the specimen .....	29
A.3	Test method.....	29
A.4	Final measurements.....	29
Bibliography	.....	30
Figure 1	– Relationships between the IEC 63171 series and its related references .....	7
Figure 2	– Connector overview .....	7
Figure 3	– Mated fixed and free connectors .....	11
Figure 4	– Fixed connector .....	13
Figure 5	– Fixed connector pin detail (detail A from Figure 4c) section D-D) .....	14
Figure 6	– Free connector.....	15
Figure 7	– Arrangement for contact resistance measurement.....	21
Figure 8	– Arrangement for vibration test.....	22
Table 1	– Dimensions for Figure 4a), Figure 4b) and Figure 4c).....	13
Table 2	– Dimensions for Figure 5 .....	14
Table 3	– Dimensions for Figure 6a) and Figure 6b).....	16
Table 4	– Creepage and clearance distances.....	17
Table 5	– Test group P .....	23
Table 6	– Test group AP .....	24
Table 7	– Test group BP .....	25
Table 8	– Test group CP .....	26
Table 9	– Test group DP .....	27
Table 10	– Test Group EP.....	27
Table 11	– Test Group GP .....	28

## INTERNATIONAL ELECTROTECHNICAL COMMISSION

### CONNECTORS FOR ELECTRICAL AND ELECTRONIC EQUIPMENT –

#### **Part 1: Detail specification for two-way, shielded or unshielded, free and fixed connectors – Mechanical mating information, pin assignment and additional requirements for Type 1 copper LC style**

#### FOREWORD

- 1) The International Electrotechnical Commission (IEC) is a worldwide organization for standardization comprising all national electrotechnical committees (IEC National Committees). The object of IEC is to promote international co-operation on all questions concerning standardization in the electrical and electronic fields. To this end and in addition to other activities, IEC publishes International Standards, Technical Specifications, Technical Reports, Publicly Available Specifications (PAS) and Guides (hereafter referred to as "IEC Publication(s)"). Their preparation is entrusted to technical committees; any IEC National Committee interested in the subject dealt with may participate in this preparatory work. International, governmental and non-governmental organizations liaising with the IEC also participate in this preparation. IEC collaborates closely with the International Organization for Standardization (ISO) in accordance with conditions determined by agreement between the two organizations.
- 2) The formal decisions or agreements of IEC on technical matters express, as nearly as possible, an international consensus of opinion on the relevant subjects since each technical committee has representation from all interested IEC National Committees.
- 3) IEC Publications have the form of recommendations for international use and are accepted by IEC National Committees in that sense. While all reasonable efforts are made to ensure that the technical content of IEC Publications is accurate, IEC cannot be held responsible for the way in which they are used or for any misinterpretation by any end user.
- 4) In order to promote international uniformity, IEC National Committees undertake to apply IEC Publications transparently to the maximum extent possible in their national and regional publications. Any divergence between any IEC Publication and the corresponding national or regional publication shall be clearly indicated in the latter.
- 5) IEC itself does not provide any attestation of conformity. Independent certification bodies provide conformity assessment services and, in some areas, access to IEC marks of conformity. IEC is not responsible for any services carried out by independent certification bodies.
- 6) All users should ensure that they have the latest edition of this publication.
- 7) No liability shall attach to IEC or its directors, employees, servants or agents including individual experts and members of its technical committees and IEC National Committees for any personal injury, property damage or other damage of any nature whatsoever, whether direct or indirect, or for costs (including legal fees) and expenses arising out of the publication, use of, or reliance upon, this IEC Publication or any other IEC Publications.
- 8) Attention is drawn to the Normative references cited in this publication. Use of the referenced publications is indispensable for the correct application of this publication.
- 9) Attention is drawn to the possibility that some of the elements of this IEC Publication may be the subject of patent rights. IEC shall not be held responsible for identifying any or all such patent rights.

International Standard IEC 63171-1 has been prepared by subcommittee 48B: Electrical connectors of IEC technical committee 48: Electrical connectors and mechanical structures for electrical and electronic equipment.

The text of this International Standard is based on the following documents:

FDIS	Report on voting
48B/2783/FDIS	48B/2799/RVD

Full information on the voting for the approval of this International Standard can be found in the report on voting indicated in the above table.

This document has been drafted in accordance with the ISO/IEC Directives, Part 2.

A list of all parts in the IEC 63171 series, published under the general title *Connectors for electrical and electronic components*, can be found on the IEC website.

The committee has decided that the contents of this document will remain unchanged until the stability date indicated on the IEC website under "<http://webstore.iec.ch>" in the data related to the specific document. At this date, the document will be

- reconfirmed,
- withdrawn,
- replaced by a revised edition, or
- amended.

## INTRODUCTION

The International Electrotechnical Commission (IEC) draws attention to the fact that it is claimed that compliance with this document may involve the use of a patent concerning contact mating surface dimensions given in 5.1.

The IEC takes no position concerning the evidence, validity and scope of this patent right.

The holder of the patent right on contact mating surface dimensions in 5.1 has assured the IEC that they are willing to give free licences to applicants throughout the world. In this respect, the statement of the holder of this patent right is registered with the IEC

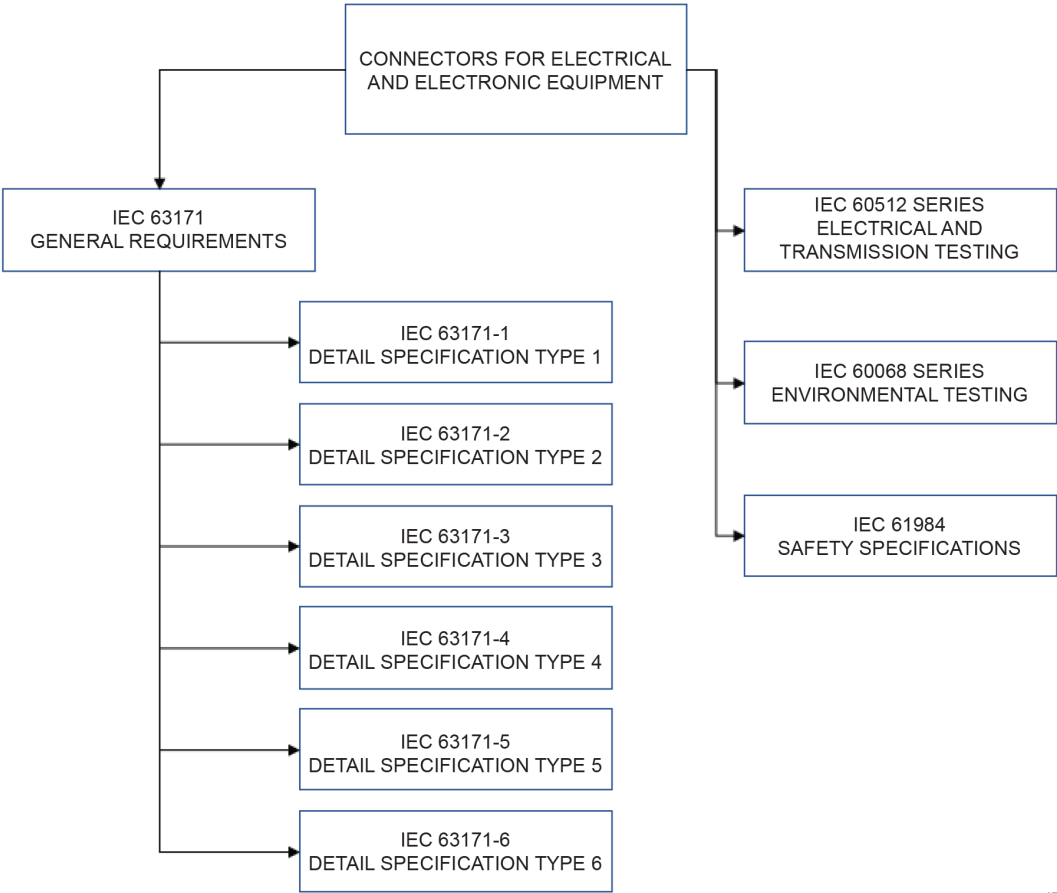
Information may be obtained from:

CommScope Technologies, LLC  
501 Shenandoah Drive  
Shakopee, Minnesota  
USA 55379

Attention is drawn to the possibility that some of the elements of this International Standard may be the subject of patent rights other than those identified above. IEC shall not be held responsible for identifying any or all such patent rights.

ISO ([www.iso.org/patents](http://www.iso.org/patents)) and IEC (<http://patents.iec.ch>) maintain on-line data bases of patents relevant to their standards. Users are encouraged to consult the data bases for the most up to date information concerning patents.

IEC 63171 is the base specification of the whole series. Subsequent specifications do not duplicate information given in the base document, but list only additional requirements. For complete specification regarding a component of a higher number document the base numbered documents should be considered as well. The following diagram (see Figure 1) shows the interrelation of the documents:



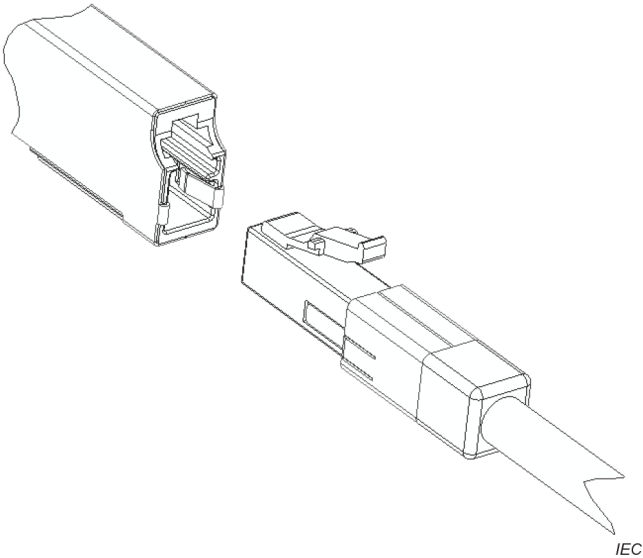
IEC

**Figure 1 – Relationships between the IEC 63171 series and its related references**

International Electrotechnical Commission

IEC 63171-1 Ed1

Subcommittee 48B: Electrical connectors



Two-way, free and fixed connectors for data transmission up to 600 MHz (and with current carrying capacity up to 2,0 A at 60° C.)

Fixed connectors are mounted on printed circuit board or bulk head, the free connector is terminated on shielded or unshielded wire.

IEC

View showing typical fixed and free connectors

**Figure 2 – Connector overview**

## CONNECTORS FOR ELECTRICAL AND ELECTRONIC EQUIPMENT –

### Part 1: Detail specification for two-way, shielded or unshielded, free and fixed connectors – Mechanical mating information, pin assignment and additional requirements for Type 1 copper LC style

#### 1 Scope

This part of IEC 63171 covers two-way, shielded or unshielded, free and fixed connectors for data transmission with frequencies up to 600 MHz and with current carrying capacity up to 2,0 A at 60 °C. It is intended to specify the common dimensions, mechanical, electrical, signal integrity, environmental characteristics, reliability specifications and corresponding tests for these connectors.

#### 2 Normative references

The following documents are referred to in the text in such a way that some or all of their content constitutes requirements of this document. For dated references, only the edition cited applies. For undated references, the latest edition of the reference document (including any amendments) applies.

IEC 60050-581, *International Electrotechnical Vocabulary (IEV) – Chapter 581: Electromechanical components for electronic equipment*

IEC 60068-1, *Environmental testing – Part 1: General and guidance*

IEC 60512-1, *Connectors for electrical and electronic equipment – Tests and measurements – Part 1: Generic specification*

IEC 60512-1-1, *Connectors for electronic equipment – Tests and measurements – Part 1-1: General examination – Test 1a: Visual examination*

IEC 60512-1-2, *Connectors for electronic equipment – Tests and measurements – Part 1-2: General examination – Test 1b: Examination of dimension and mass*

IEC 60512-2-1, *Connectors for electronic equipment – Tests and measurements – Part 2-1: Electrical continuity and contact resistance tests – Test 2a: Contact resistance – Millivolt level method*

IEC 60512-2-5, *Connectors for electronic equipment – Tests and measurements – Part 2-5: Electrical continuity and contact resistance tests – Test 2e: Contact disturbance*

IEC 60512-3-1, *Connectors for electronic equipment – Tests and measurements – Part 3-1: Insulation tests – Test 3a: Insulation resistance*

IEC 60512-4-1, *Connectors for electronic equipment – Tests and measurements – Part 4-1: Voltage stress tests – Test 4a: Voltage proof*

IEC 60512-5-2, *Connectors for electronic equipment – Tests and measurements – Part 5-2: Current-carrying capacity tests – Test 5b: Current-temperature derating*



IEC 60512-6-4, *Connectors for electronic equipment – Tests and measurements – Part 6: Dynamic stress tests – Section 5: Test 6d: Vibration (sinusoidal)*

IEC 60512-9-1, *Connectors for electronic equipment – Tests and measurements – Part 9-1: Endurance tests – Test 9a: Mechanical operation*

IEC 60512-11-7, *Connectors for electronic equipment – Tests and measurements – Part 11-7: Climatic tests – Test 11g: Flowing mixed gas corrosion test*

IEC 60512-11-12, *Connectors for electronic equipment – Tests and measurements – Part 11-12: Climatic tests – Test 11m: Damp heat, cyclic*

IEC 60512-13-2, *Connectors for electronic equipment – Tests and measurements – Part 13-2: Mechanical operation tests – Test 13b: Insertion and withdrawal forces*

IEC 60512-15-6, *Connectors for electronic equipment – Tests and measurements – Part 15-6: Connector tests (mechanical) – Test 15f: Effectiveness of connector coupling devices*

IEC 60512-25-9, *Connectors for electronic equipment – Tests and measurements – Part 25-9: Signal integrity tests – Test 25i: Alien crosstalk*

IEC 60512-26-100, *Connectors for electronic equipment – Tests and measurements – Part 26-100: Measurement setup, test and reference arrangements and measurements for connectors according to IEC 60603-7 – Tests 26a to 26g*

IEC 60512-28-100, *Connectors for electrical and electronic equipment – Tests and measurements – Part 28-100: Signal integrity tests up to 2 000 MHz – Tests 28a to 28g*

IEC 60664-1, *Insulation coordination for equipment within low-voltage systems – Part 1: Principles, requirements and tests*

IEC 62153-4-12, *Metallic communication cable test methods – Part 4-12: Electromagnetic compatibility (EMC) – Coupling attenuation or screening attenuation of connecting hardware – Absorbing clamp method*

IEC 62153-4-15, *Metallic communication cable test methods – Part 4-15: Electromagnetic compatibility (EMC) – Test method for measuring transfer impedance and screening attenuation – or coupling attenuation with triaxial cell*

ISO/IEC 11801-1, *Information technology – Generic cabling for customer premises – Part 1: General requirements*

## SOMMAIRE

AVANT-PROPOS .....	34
INTRODUCTION.....	36
1 Domaine d'application .....	38
2 Références normatives .....	38
3 Termes et définitions .....	39
4 Informations techniques.....	40
4.1 Niveau de compatibilité – Interopérabilité.....	40
4.2 Connecteurs non écrantés .....	40
4.3 Utilisation de câbles UTP .....	40
5 Caractéristiques communes et paire fiche/embase type.....	40
5.1 Informations d'accouplement .....	40
5.1.1 Généralités .....	40
5.1.2 Contacts – Conditions d'accouplement .....	41
5.1.3 Embase .....	42
5.1.4 Fiche .....	46
6 Caractéristiques .....	47
6.1 Généralités .....	47
6.2 Classification selon la catégorie climatique .....	47
6.3 Caractéristiques électriques.....	48
6.3.1 Généralités .....	48
6.3.2 Ligne de fuite et distance d'isolement .....	48
6.3.3 Résistance de contact – A l'interface uniquement (contact séparable entre embase et fiche) .....	48
6.3.4 Résistance entre entrée et sortie en courant continu .....	49
6.3.5 Résistance entre entrée et sortie en courant continu, en régime déséquilibré.....	49
6.3.6 Tension de tenue.....	49
6.3.7 Taux de réduction de l'intensité en fonction de la température.....	49
6.3.8 Résistance d'isolement initiale.....	49
6.4 Caractéristiques de transmission .....	50
6.4.1 Généralités .....	50
6.4.2 Perte d'insertion (IL) .....	50
6.4.3 Affaiblissement de réflexion (RL) .....	50
6.4.4 Perte de conversion transverse (TCL).....	50
6.4.5 Perte de transfert de conversion transverse (TCTL).....	50
6.4.6 Puissance cumulée de paradiaphonie exogène (PS ANEXT, Power Sum Alien Near-End crosstalk Loss).....	50
6.4.7 Puissance cumulée de télédiaphonie exogène (PS AFEXT, Power Sum Alien Far-End crosstalk Loss) .....	51
6.4.8 Impédance de transfert (connecteurs écrantés uniquement) .....	51
6.4.9 Atténuation de couplage .....	51
6.5 Caractéristiques mécaniques .....	51
6.5.1 Fonctionnement mécanique .....	51
6.5.2 Efficacité des dispositifs d'accouplement des connecteurs.....	51
6.5.3 Forces d'insertion et d'extraction .....	51
7 Essais et programme d'essai .....	52
7.1 Généralités .....	52

7.2	Montage pour la mesure de la résistance de contact.....	52
7.3	Montage pour l'essai de vibration (phase d'essai CP1) .....	53
7.4	Procédures d'essai et méthodes de mesure .....	53
7.5	Conditionnement préalable .....	54
8	Programmes d'essai .....	54
8.1	Programme d'essai de base (minimal) .....	54
8.2	Programme d'essai complet.....	54
8.2.1	Généralités.....	54
8.2.2	Groupe d'essais P – Essais préliminaires .....	54
8.2.3	Groupe d'essais AP – Essais climatiques .....	55
8.2.4	Groupe d'essais BP – Essais mécaniques .....	57
8.2.5	Groupe d'essais CP – Essais de vibrations.....	58
8.2.6	Groupe d'essais DP – Essais de charge électrique .....	60
8.2.7	Groupe d'essais EP – Essais de transmission électrique .....	60
8.2.8	Groupe d'essais GP – Essais d'impédance de transfert et d'atténuation de couplage.....	61
Annexe A (normative)	Manœuvre mécanique du dispositif de verrouillage .....	62
A.1	Objet.....	62
A.2	Préparation de l'échantillon.....	62
A.3	Méthode d'essai.....	62
A.4	Mesures finales.....	62
Bibliographie.....		63
Figure 1	– Relations entre la série IEC 63171 et les références associées.....	37
Figure 2	– Vue d'ensemble des connecteurs.....	37
Figure 3	– Embase et fiche accouplées.....	41
Figure 4	– Embase.....	43
Figure 5	– Représentation détaillée d'un doigt de guidage d'embase (vue de détail A de la coupe D-D de la Figure 4c)) .....	44
Figure 6	– Fiche.....	46
Figure 7	– Montage pour la mesure de la résistance de contact.....	52
Figure 8	– Montage pour l'essai de vibration.....	53
Tableau 1	– Dimensions de la Figure 4a), de la Figure 4b) et de la Figure 4c) .....	43
Tableau 2	– Dimensions de la Figure 5 .....	45
Tableau 3	– Dimensions de la Figure 6a) et de la Figure 6b) .....	47
Tableau 4	– Ligne de fuite et distance d'isolement.....	48
Tableau 5	– Groupe d'essais P .....	54
Tableau 6	– Groupe d'essais AP .....	55
Tableau 7	– Groupe d'essais BP.....	57
Tableau 8	– Groupe d'essais CP.....	58
Tableau 9	– Groupe d'essais DP.....	60
Tableau 10	– Groupe d'essais EP .....	60
Tableau 11	– Groupe d'essais GP.....	61

## COMMISSION ÉLECTROTECHNIQUE INTERNATIONALE

### CONNECTEURS POUR ÉQUIPEMENTS ÉLECTRIQUES ET ÉLECTRONIQUES –

#### **Partie 1: Spécification particulière pour les fiches et les embases bidirectionnelles, écrantées ou non écrantées – Informations sur l'accouplement mécanique, brochage et exigences supplémentaires pour connecteur LC de type 1 à doigts de guidage en cuivre**

#### AVANT-PROPOS

- 1) La Commission Electrotechnique Internationale (IEC) est une organisation mondiale de normalisation composée de l'ensemble des comités électrotechniques nationaux (Comités nationaux de l'IEC). L'IEC a pour objet de favoriser la coopération internationale pour toutes les questions de normalisation dans les domaines de l'électricité et de l'électronique. A cet effet, l'IEC – entre autres activités – publie des Normes internationales, des Spécifications techniques, des Rapports techniques, des Spécifications accessibles au public (PAS) et des Guides (ci-après dénommés "Publication(s) de l'IEC"). Leur élaboration est confiée à des comités d'études, aux travaux desquels tout Comité national intéressé par le sujet traité peut participer. Les organisations internationales, gouvernementales et non gouvernementales, en liaison avec l'IEC, participent également aux travaux. L'IEC collabore étroitement avec l'Organisation Internationale de Normalisation (ISO), selon des conditions fixées par accord entre les deux organisations.
- 2) Les décisions ou accords officiels de l'IEC concernant les questions techniques représentent, dans la mesure du possible, un accord international sur les sujets étudiés, étant donné que les Comités nationaux de l'IEC intéressés sont représentés dans chaque comité d'études.
- 3) Les Publications de l'IEC se présentent sous la forme de recommandations internationales et sont agréées comme telles par les Comités nationaux de l'IEC. Tous les efforts raisonnables sont entrepris afin que l'IEC s'assure de l'exactitude du contenu technique de ses publications; l'IEC ne peut pas être tenue responsable de l'éventuelle mauvaise utilisation ou interprétation qui en est faite par un quelconque utilisateur final.
- 4) Dans le but d'encourager l'uniformité internationale, les Comités nationaux de l'IEC s'engagent, dans toute la mesure possible, à appliquer de façon transparente les Publications de l'IEC dans leurs publications nationales et régionales. Toutes divergences entre toutes Publications de l'IEC et toutes publications nationales ou régionales correspondantes doivent être indiquées en termes clairs dans ces dernières.
- 5) L'IEC elle-même ne fournit aucune attestation de conformité. Des organismes de certification indépendants fournissent des services d'évaluation de conformité et, dans certains secteurs, accèdent aux marques de conformité de l'IEC. L'IEC n'est responsable d'aucun des services effectués par les organismes de certification indépendants.
- 6) Tous les utilisateurs doivent s'assurer qu'ils sont en possession de la dernière édition de cette publication.
- 7) Aucune responsabilité ne doit être imputée à l'IEC, à ses administrateurs, employés, auxiliaires ou mandataires, y compris ses experts particuliers et les membres de ses comités d'études et des Comités nationaux de l'IEC, pour tout préjudice causé en cas de dommages corporels et matériels, ou de tout autre dommage de quelque nature que ce soit, directe ou indirecte, ou pour supporter les coûts (y compris les frais de justice) et les dépenses découlant de la publication ou de l'utilisation de cette Publication de l'IEC ou de toute autre Publication de l'IEC, ou au crédit qui lui est accordé.
- 8) L'attention est attirée sur les références normatives citées dans cette publication. L'utilisation de publications référencées est obligatoire pour une application correcte de la présente publication.
- 9) L'attention est attirée sur le fait que certains des éléments de la présente Publication de l'IEC peuvent faire l'objet de droits de brevet. L'IEC ne saurait être tenue pour responsable de ne pas avoir identifié de tels droits de brevets et de ne pas avoir signalé leur existence.

La Norme internationale IEC 63171-1 a été établie par le sous-comité 48B: Connecteurs électriques, du comité d'études 48 de l'IEC: Connecteurs électriques et structures mécaniques pour les équipements électriques et électroniques.

Le texte de cette Norme internationale est issu des documents suivants:

FDIS	Rapport de vote
48B/2783/FDIS	48B/2799/RVD

Le rapport de vote indiqué dans le tableau ci-dessus donne toute information sur le vote ayant abouti à l'approbation de cette Norme internationale.

Ce document a été rédigé selon les Directives ISO/IEC, Partie 2.

Une liste de toutes les parties de la série IEC 63171, publiées sous le titre général *Connecteurs pour équipements électriques et électroniques*, peut être consultée sur le site web de l'IEC.

Le comité a décidé que le contenu de ce document ne sera pas modifié avant la date de stabilité indiquée sur le site web de l'IEC sous "<http://webstore.iec.ch>" dans les données relatives à la publication recherchée. A cette date, le document sera

- reconduit,
- supprimé,
- remplacé par une édition révisée, ou
- amendé.

## INTRODUCTION

La Commission Electrotechnique Internationale (IEC) attire l'attention sur le fait qu'il est déclaré que la conformité avec les dispositions du présent document peut impliquer l'utilisation d'un brevet intéressant les dimensions des surfaces d'accouplement des contacts traité au 5.1.

L'IEC ne prend aucune position concernant le mode de preuve, la validité et la portée de ce droit de brevet.

Le détenteur du droit de brevet sur les dimensions des surfaces d'accouplement des contacts (voir 5.1) a assuré à l'IEC qu'il est disposé à distribuer des licences gratuites aux candidats du monde entier. A ce titre, une déclaration du détenteur de ce droit de brevet a été enregistrée auprès de l'IEC.

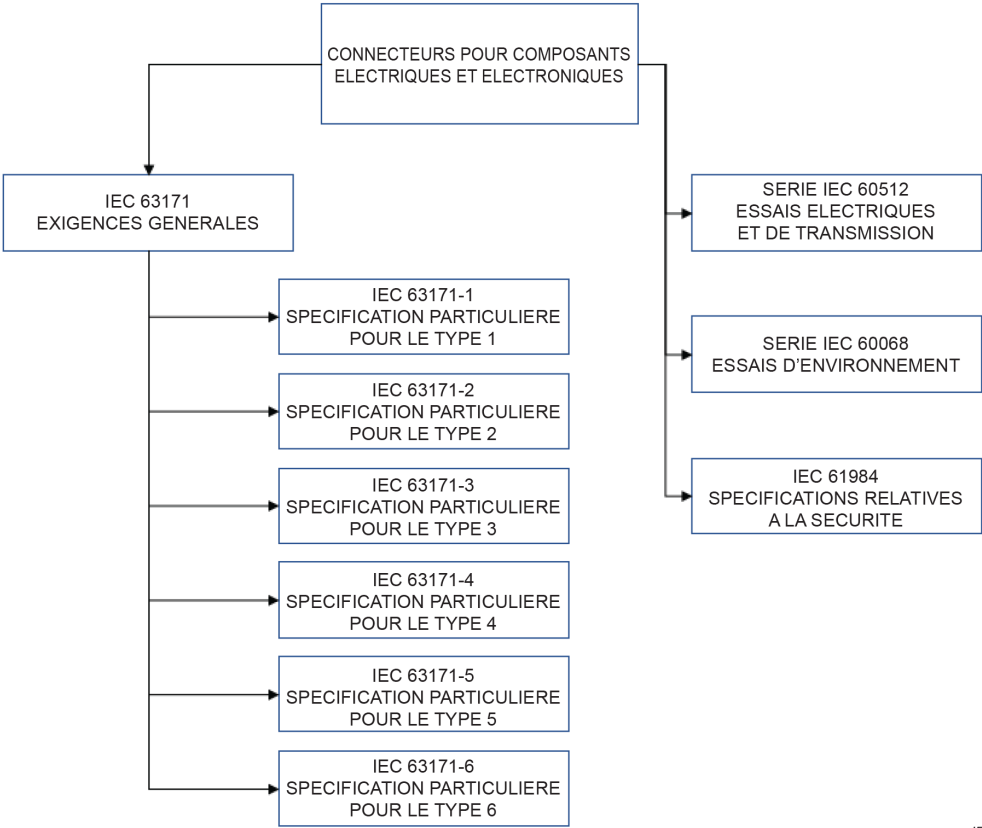
Des informations peuvent être obtenues en écrivant à l'adresse suivante:

CommScope Technologies, LLC  
501 Shenandoah Drive  
Shakopee, Minnesota  
USA 55379

L'attention est attirée sur la possibilité que certains des éléments de la présente Norme internationale fassent l'objet de droits de brevet autres que ceux identifiés ci-dessus. L'IEC ne doit pas être tenue responsable de l'identification de tout ou partie de ces droits de brevet.

L'ISO ([www.iso.org/patents](http://www.iso.org/patents)) et l'IEC (<http://patents.iec.ch>) maintiennent des bases de données, consultables en ligne, des droits de propriété pertinents à leurs normes. Les utilisateurs sont encouragés à consulter ces bases de données pour obtenir l'information la plus récente concernant les droits de propriété.

L'IEC 63171 constitue la spécification de base de l'ensemble de la série. Les spécifications sous-jacentes ne reproduisent pas les informations données dans le document de base; elles énumèrent uniquement les exigences supplémentaires. Pour obtenir la spécification complète d'un composant correspondant à un numéro de document élevé, il convient d'étudier également les documents dont la numérotation correspond à un document de base. Le schéma suivant (voir Figure 1) représente la corrélation entre les différents documents:



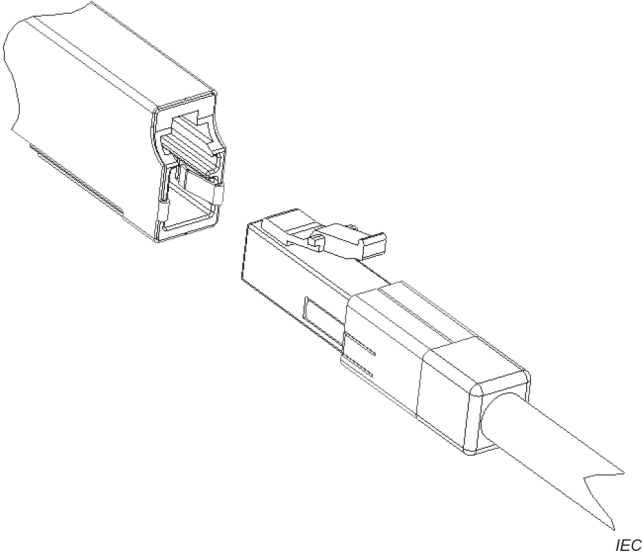
IEC

Figure 1 – Relations entre la série IEC 63171 et les références associées

Commission Electrotechnique Internationale

IEC 63171-1 Ed1

Sous-comité 48B: Connecteurs électriques



Connecteurs bidirectionnels de type fiche et embase pour la transmission de données jusqu'à 600 MHz (et avec un courant admissible pouvant atteindre 2,0 A à 60 °C).

Les embases sont montées sur une carte de circuit imprimé ou en traversée de cloison; la fiche est raccordée sur le câble écrané ou non écrané.

Vue représentant un ensemble type fiche et embase

Figure 2 – Vue d'ensemble des connecteurs

## CONNECTEURS POUR ÉQUIPEMENTS ÉLECTRIQUES ET ÉLECTRONIQUES –

### Partie 1: Spécification particulière pour les fiches et les embases bidirectionnelles, écrantées ou non écrantées – Informations sur l'accouplement mécanique, brochage et exigences supplémentaires pour connecteur LC de type 1 à doigts de guidage en cuivre

#### 1 Domaine d'application

La présente partie de l'IEC 63171 couvre les fiches et embases bidirectionnelles, écrantées ou non écrantées, assurant la transmission de données à des fréquences pouvant atteindre 600 MHz et à un courant admissible pouvant atteindre 2,0 A à 60 °C. Elle vise à spécifier les dimensions communes, les caractéristiques mécaniques, électriques, d'intégrité du signal et d'environnement, les spécifications de fiabilité et les essais correspondants pour ces connecteurs.

#### 2 Références normatives

Les documents suivants cités dans le texte constituent, pour tout ou partie de leur contenu, des exigences du présent document. Pour les références datées, seule l'édition citée s'applique. Pour les références non datées, la dernière édition du document de référence s'applique (y compris les éventuels amendements).

IEC 60050-581, *Vocabulaire Electrotechnique International – Partie 581: Composants électromécaniques pour équipements électroniques*

IEC 60068-1, *Essais d'environnement – Partie 1: Généralités et lignes directrices*

IEC 60512-1, *Connecteurs pour équipements électroniques – Essais et mesures – Partie 1: Spécification générique*

IEC 60512-1-1, *Connecteurs pour équipements électroniques – Essais et mesures – Partie 1-1: Examen général – Essai 1a: Examen visuel*

IEC 60512-1-2, *Connecteurs pour équipements électroniques – Essais et mesures – Partie 1-2: Examen général – Essai 1b: Examen de dimension et masse*

IEC 60512-2-1, *Connecteurs pour équipements électroniques – Essais et mesures – Partie 2-1: Essais de continuité électrique et de résistance de contact – Essai 2a: Résistance de contact – Méthode du niveau des millivolts*

IEC 60512-2-5, *Connecteurs pour équipements électroniques – Essais et mesures – Partie 2-5: Essais de continuité électrique et de résistance de contact – Essai 2e: Perturbation de contact*

IEC 60512-3-1, *Connecteurs pour équipements électroniques – Essais et mesures – Partie 3-1: Essais d'isolement – Essai 3a: Résistance d'isolement*

IEC 60512-4-1, *Connecteurs pour équipements électroniques – Essais et mesures – Partie 4-1: Essais de contrainte diélectrique – Essai 4a: Tension de tenue*



IEC 60512-5-2, *Connecteurs pour équipements électroniques – Essais et mesures – Partie 5-2: Essais de courant limite – Essai 5b: Taux de réduction de l'intensité en fonction de la température*

IEC 60512-6-4, *Connecteurs pour équipements électroniques – Essais et mesures – Partie 6-4: Essais de contraintes dynamiques – Essai 6d: Vibrations (sinusoïdales)*

IEC 60512-9-1, *Connecteurs pour équipements électroniques – Essais et mesures – Partie 9-1: Essais d'endurance – Essai 9a: Fonctionnement mécanique*

IEC 60512-11-7, *Connecteurs pour équipements électroniques – Essais et mesures – Partie 11-7: Essais climatiques – Essai 11g: Essai de corrosion dans un flux de mélange de gaz*

IEC 60512-11-12, *Connecteurs pour équipements électroniques – Essais et mesures – Partie 11-12: Essais climatiques – Essai 11m: Essai cyclique de chaleur humide*

IEC 60512-13-2, *Connecteurs pour équipements électroniques – Essais et mesures – Partie 13-2: Essais de fonctionnement mécanique – Essai 13b: Forces d'insertion et d'extraction*

IEC 60512-15-6, *Connecteurs pour équipements électroniques – Essais et mesures – Partie 15-6: Essais (mécaniques) des connecteurs – Essai 15f: Efficacité des dispositifs d'accouplement des connecteurs*

IEC 60512-25-9, *Connecteurs pour équipements électroniques – Essais et mesures – Partie 25-9: Essais d'intégrité des signaux – Essai 25i: Diaphonie exogène*

IEC 60512-26-100, *Connecteurs pour équipements électroniques – Essais et mesures – Partie 26-100: Montage de mesure, dispositifs d'essai et de référence et mesures pour les connecteurs conformes à l'IEC 60603-7 – Essais 26a à 26g*

IEC 60512-28-100, *Connecteurs pour équipements électriques et électroniques – Essais et mesures – Partie 28-100: Essais d'intégrité des signaux jusqu'à 2 000 MHz – Essais 28a à 28g*

IEC 60664-1, *Coordination de l'isolement des matériels dans les systèmes (réseaux) à basse tension – Partie 1: Principes, exigences et essais*

IEC 62153-4-12, *Metallic communication cable test methods – Part 4-12: Electromagnetic compatibility (EMC) – Coupling attenuation or screening attenuation of connecting hardware – Absorbing clamp method (disponible en anglais seulement)*

IEC 62153-4-15, *Metallic communication cable test methods – Part 4-15: Electromagnetic compatibility (EMC) – Test method for measuring transfer impedance and screening attenuation – or coupling attenuation with triaxial cell (disponible en anglais seulement)*

ISO/IEC 11801-1, *Information technology – Generic cabling for customer premises – Part 1: General requirements (disponible en anglais seulement)*