



INTERNATIONAL STANDARD



**Connectors for electrical and electronic equipment –
Part 4: Detail specification for shielded or unshielded, free and fixed connectors
with up to 8 ways for balanced single-pair data transmission with current
carrying capacity – Mechanical mating information, pin assignment and
additional requirements for Type 4**

INTERNATIONAL
ELECTROTECHNICAL
COMMISSION

ICS 31.220.10

ISBN 978-2-8322-5608-4

Warning! Make sure that you obtained this publication from an authorized distributor.

CONTENTS

FOREWORD	4
INTRODUCTION	6
1 Scope	10
2 Normative references	10
3 Terms and definitions	11
4 Common features and typical connector pairs	11
4.1 Mating information	11
4.1.1 General	11
4.1.2 Overview of connector styles	11
4.1.3 Fixed connectors	12
4.1.4 Free connectors	15
5 Characteristics	21
5.1 General	21
5.2 Pin assignment	21
5.3 Classification into climatic category	22
5.4 Electrical characteristics	22
5.4.1 Creepage and clearance distances	22
5.4.2 Voltage proof	23
5.4.3 Current-temperature derating	23
5.4.4 Initial contact resistance – interface only (separable fixed and free contact)	23
5.4.5 Input to output DC resistance	23
5.4.6 Input to output DC resistance unbalanced	23
5.4.7 Initial insulation resistance	23
5.5 Transmission characteristics	23
5.5.1 General	23
5.5.2 Insertion loss	23
5.5.3 Return loss	23
5.5.4 Propagation delay	23
5.5.5 Transverse conversion loss	24
5.5.6 Transverse conversion transfer loss	24
5.5.7 Transfer impedance (shielded only)	24
5.5.8 Coupling attenuation	24
5.5.9 Power sum alien (exogenous) NEXT	24
5.5.10 Power sum alien (exogenous) FEXT	24
5.6 Mechanical characteristics	24
5.6.1 Mechanical operation	24
5.6.2 Effectiveness of connector coupling devices	24
5.6.3 Insertion and withdrawal forces	24
6 Tests and test schedule	24
6.1 General	24
6.2 Arrangement for contact resistance measurement	25
6.3 Arrangement for vibration test	25
6.4 Test procedures and measuring methods	26
6.5 Preconditioning	26
6.6 Test schedules	26

6.6.1	General	26
6.6.2	Basic (minimum) test schedule	26
6.6.3	Full test schedule	26
Bibliography.....		27
Figure 1	– Relationship between the IEC 63171 series documents and their related references	7
Figure 2	– Type 4 connector overview.....	9
Figure 3	– Shielded and unshielded fixed connector details – MMC 1P	12
Figure 4	– Shielded and unshielded fixed connector details – MMC 2P	13
Figure 5	– Shielded and unshielded fixed connector details – MMC 4P	14
Figure 6	– Shielded and unshielded free connector with snap-in device – MMC 1PS.....	15
Figure 7	– Shielded and unshielded free connector with locking device – MMC 1PL	17
Figure 8	– Shielded and unshielded free connector with snap-in device – MMC 2PS.....	18
Figure 9	– Shielded and unshielded free connector with locking device- MMC 2PL	19
Figure 10	– Shielded and unshielded free connector with snap-in device – MMC 4PS.....	19
Figure 11	– Shielded and unshielded free connector with locking device- MMC 4PL	20
Figure 12	– Free connector female contact	21
Figure 13	– Fixed connector pin assignment (front view of connector).....	22
Figure 14	– Arrangement for contact resistance test	25
Figure 15	– Arrangement for vibration test	26
Table 1	– Styles of connectors	12
Table 2	– Dimensions for Figure 3 – MMC 1P	13
Table 3	– Dimensions for Figure 4 – MMC 2P	14
Table 4	– Dimensions for Figure 5 – MMC 4P	15
Table 5	– Dimensions for Figure 6 – MMC 1PS	16
Table 6	– Dimensions for Figure 7 – MMC 1PL	17
Table 7	– Dimensions for Figure 8 – MMC 2PS	18
Table 8	– Dimensions for Figure 9 – MMC 2PL	19
Table 9	– Dimensions for Figure 10 – MMC 4PS	20
Table 10	– Dimensions for Figure 11 – MMC 4PL	20
Table 11	– Dimensions for Figure 12.....	21
Table 12	– 2-way connector signal pin assignment	22
Table 13	– Creepage and clearance distances	23

INTERNATIONAL ELECTROTECHNICAL COMMISSION

CONNECTORS FOR ELECTRICAL AND ELECTRONIC EQUIPMENT –

Part 4: Detail specification for shielded or unshielded, free and fixed connectors with up to 8 ways for balanced single-pair data transmission with current carrying capacity – Mechanical mating information, pin assignment and additional requirements for Type 4

FOREWORD

- 1) The International Electrotechnical Commission (IEC) is a worldwide organization for standardization comprising all national electrotechnical committees (IEC National Committees). The object of IEC is to promote international co-operation on all questions concerning standardization in the electrical and electronic fields. To this end and in addition to other activities, IEC publishes International Standards, Technical Specifications, Technical Reports, Publicly Available Specifications (PAS) and Guides (hereafter referred to as “IEC Publication(s)”). Their preparation is entrusted to technical committees; any IEC National Committee interested in the subject dealt with may participate in this preparatory work. International, governmental and non-governmental organizations liaising with the IEC also participate in this preparation. IEC collaborates closely with the International Organization for Standardization (ISO) in accordance with conditions determined by agreement between the two organizations.
- 2) The formal decisions or agreements of IEC on technical matters express, as nearly as possible, an international consensus of opinion on the relevant subjects since each technical committee has representation from all interested IEC National Committees.
- 3) IEC Publications have the form of recommendations for international use and are accepted by IEC National Committees in that sense. While all reasonable efforts are made to ensure that the technical content of IEC Publications is accurate, IEC cannot be held responsible for the way in which they are used or for any misinterpretation by any end user.
- 4) In order to promote international uniformity, IEC National Committees undertake to apply IEC Publications transparently to the maximum extent possible in their national and regional publications. Any divergence between any IEC Publication and the corresponding national or regional publication shall be clearly indicated in the latter.
- 5) IEC itself does not provide any attestation of conformity. Independent certification bodies provide conformity assessment services and, in some areas, access to IEC marks of conformity. IEC is not responsible for any services carried out by independent certification bodies.
- 6) All users should ensure that they have the latest edition of this publication.
- 7) No liability shall attach to IEC or its directors, employees, servants or agents including individual experts and members of its technical committees and IEC National Committees for any personal injury, property damage or other damage of any nature whatsoever, whether direct or indirect, or for costs (including legal fees) and expenses arising out of the publication, use of, or reliance upon, this IEC Publication or any other IEC Publications.
- 8) Attention is drawn to the Normative references cited in this publication. Use of the referenced publications is indispensable for the correct application of this publication.
- 9) Attention is drawn to the possibility that some of the elements of this IEC Publication may be the subject of patent rights. IEC shall not be held responsible for identifying any or all such patent rights.

IEC 63171-4 has been prepared by subcommittee 48B: Electrical connectors, of IEC technical committee 48: Electrical connectors and mechanical structures for electrical and electronic equipment. It is an International Standard.

The text of this International Standard is based on the following documents:

Draft	Report on voting
48B/2964/FDIS	48B/2984/RVD

Full information on the voting for its approval can be found in the report on voting indicated in the above table.

The language used for the development of this International Standard is English.

A list of all parts in the IEC 63171 series, published under the general title *Connectors for electrical and electronic equipment*, can be found on the IEC website.

This document was drafted in accordance with ISO/IEC Directives, Part 2, and developed in accordance with ISO/IEC Directives, Part 1 and ISO/IEC Directives, IEC Supplement, available at www.iec.ch/members_experts/refdocs. The main document types developed by IEC are described in greater detail at www.iec.ch/publications.

The committee has decided that the contents of this document will remain unchanged until the stability date indicated on the IEC website under webstore.iec.ch in the data related to the specific document. At this date, the document will be

- reconfirmed,
- withdrawn,
- replaced by a revised edition, or
- amended.

IMPORTANT – The "colour inside" logo on the cover page of this document indicates that it contains colours which are considered to be useful for the correct understanding of its contents. Users should therefore print this document using a colour printer.

INTRODUCTION

The International Electrotechnical Commission (IEC) draws attention to the fact that it is claimed that compliance with this document may involve the use of a patent concerning contact mating surface dimensions given in 4.1.

The IEC takes no position concerning the evidence, validity, and scope of this patent right.

The Patent Holder is prepared to grant a license to an unrestricted number of applicants on a worldwide, non-discriminatory basis and on reasonable terms and conditions to make, use and sell implementations of the above document.

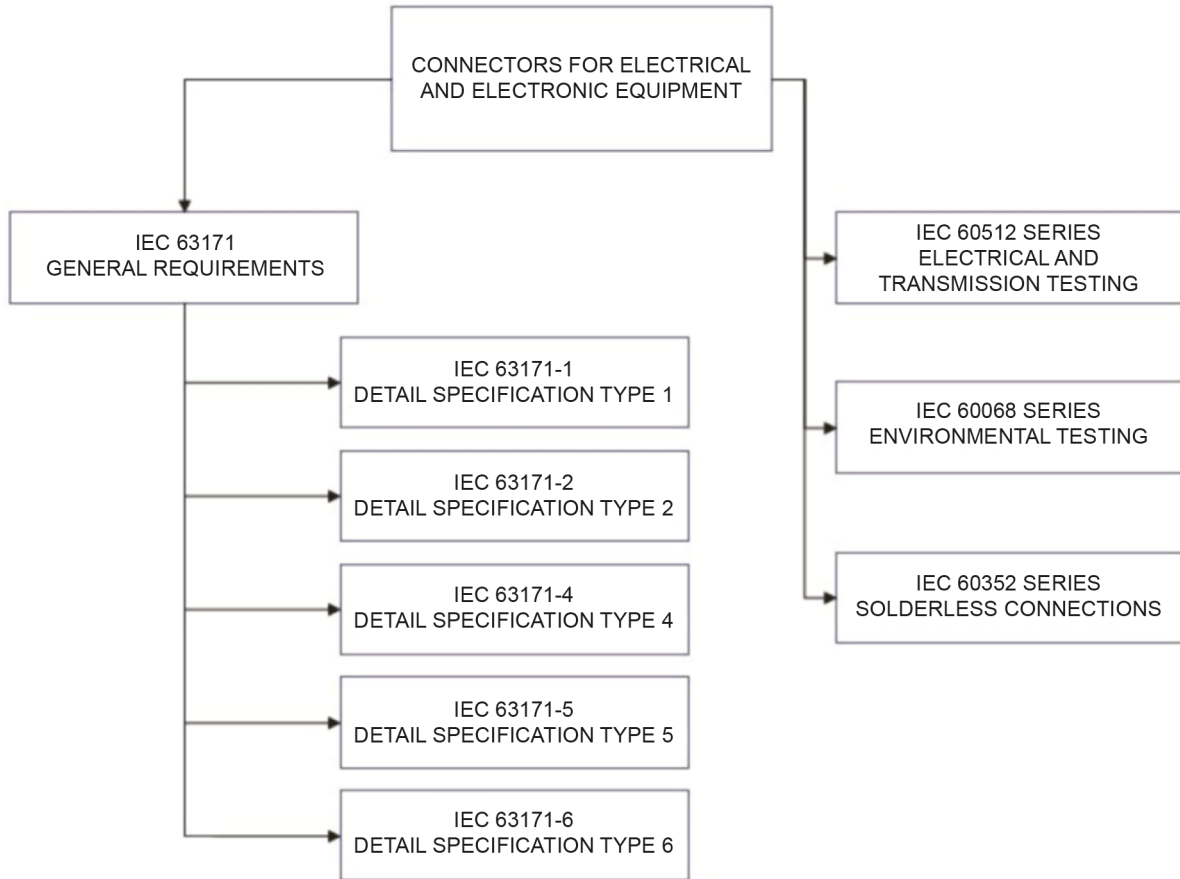
Information may be obtained from:

BKS Kabel-Service AG
Fabrikstrasse 8
CH-4552 Derendingen

Attention is drawn to the possibility that some of the elements of this International Standard may be the subject of patent rights other than those identified above. IEC shall not be held responsible for identifying any or all such patent rights.

ISO (www.iso.org/patents) and IEC (<http://patents.iec.ch>) maintain on-line data bases of patents relevant to their standards. Users are encouraged to consult the data bases for the most up to date information concerning patents.

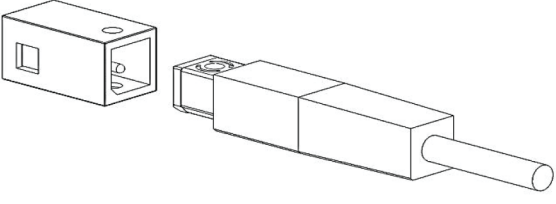
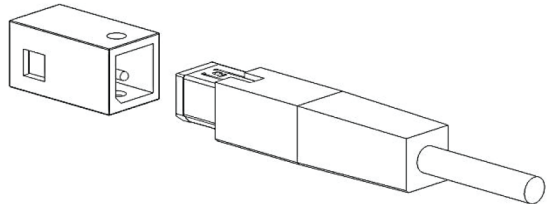
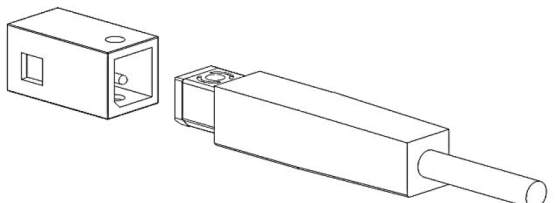
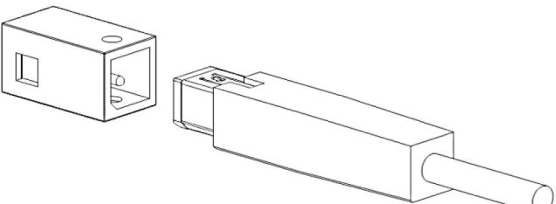
IEC 63171 is the base specification of the whole series. Subsequent specifications do not duplicate information given in the base document, but list only additional requirements. For complete specification regarding a component of a higher number document all lower numbered documents shall be considered as well. Figure 1 shows the interrelation of the documents.



IEC

Figure 1 – Relationship between the IEC 63171 series documents and their related references

This document refers to International Standards for test and measurement, environmental testing as well as solderless connections.

<p>IEC SC 48B – Electrical connectors</p> <p>Specification available from: IEC General secretariat or from the addresses shown on the inside cover.</p>	<p>IEC 63171-4 Ed. 1</p>
<p>DETAIL SPECIFICATION in accordance with IEC 63171</p>	
 <p style="text-align: right; margin-top: 10px;"><i>IEC</i></p>	<p>Shielded 1-pair connector with snap-in mechanism</p>
 <p style="text-align: right; margin-top: 10px;"><i>IEC</i></p>	<p>Shielded 1-pair connector with locking device</p>
 <p style="text-align: right; margin-top: 10px;"><i>IEC</i></p>	<p>Unshielded 1-pair connector with snap-in mechanism</p>
 <p style="text-align: right; margin-top: 10px;"><i>IEC</i></p>	<p>Unshielded 1-pair connector with locking device</p>

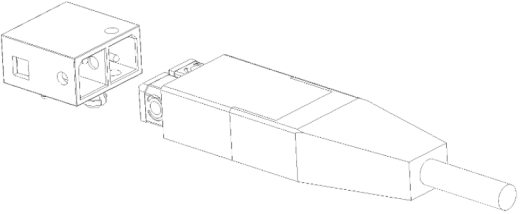
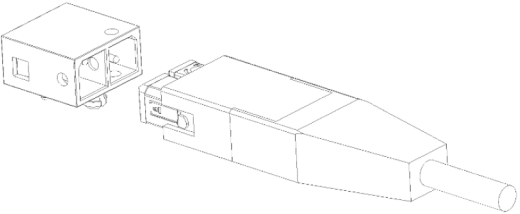
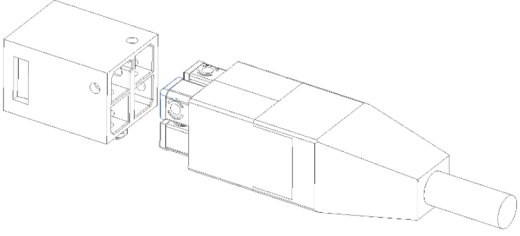
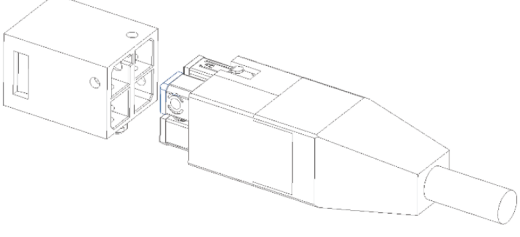
 <p data-bbox="852 577 884 600">IEC</p>	<p data-bbox="970 235 1380 291">Shielded 2-pair connector with snap-in mechanism</p>
 <p data-bbox="852 956 884 978">IEC</p>	<p data-bbox="970 613 1380 669">Shielded 2-pair connector with locking device</p>
 <p data-bbox="852 1254 884 1276">IEC</p>	<p data-bbox="970 992 1380 1048">Shielded 4-pair connector with snap-in mechanism</p>
 <p data-bbox="852 1541 884 1563">IEC</p>	<p data-bbox="970 1290 1380 1346">Shielded 4-pair connector with locking device</p>

Figure 2 – Type 4 connector overview

CONNECTORS FOR ELECTRICAL AND ELECTRONIC EQUIPMENT –

Part 4: Detail specification for shielded or unshielded, free and fixed connectors with up to 8 ways for balanced single-pair data transmission with current carrying capacity – Mechanical mating information, pin assignment and additional requirements for Type 4

1 Scope

This part of IEC 63171 covers shielded and unshielded free and fixed multimedia connectors (MMC) for data transmission with frequencies up to and above 3 000 MHz for shielded and up to 600 MHz for unshielded connectors, both with current-carrying capacity with up to 8 ways. It specifies the common dimensions, mechanical, electrical and transmission characteristics and environmental requirements as well as test specifications, respectively.

The form factor of these connectors allows their use for cable sharing with TOs (Telecommunications Outlet) for structured cabling.

NOTE The overall performance of the transmission channel in such case is evaluated.

This document covers type 4 connectors. Each part of this series has the associated type number equal to the number of the part in the series. All connectors in the IEC 63171 series are deemed to provide the same functions as defined in IEC 63171, using different mechanical interfaces.

The shielded and unshielded connectors are interoperable for their internal transmission performance and can be exchanged. The shielded version has improved EMC and coupling properties.

The connectors are intended to be used for Single Pair Ethernet (SPE) according, but not restricted to the following IEEE standards: 10Base-T1 (IEEE 802.3cg), 100Base-T1 (IEEE 802.3bw), 1000Base-T1 (IEEE 802.3bp), Multi-Gig Base-T1 (IEEE 802.3ch) and optionally with Power over Data line (PoDL) power supply according to IEEE 802.3bu.

2 Normative references

The following documents are referred to in the text in such a way that some or all of their content constitutes requirements of this document. For dated references, only the edition cited applies. For undated references, the latest edition of the referenced document (including any amendments) applies.

IEC 60050-581, *International Electrotechnical Vocabulary (IEV) – Part 581: Electromechanical components for electronic equipment*

IEC 60512-1, *Connectors for electrical and electronic equipment – Tests and measurements – Part 1: Generic specification*

IEC 60512-13-2, *Connectors for electronic equipment – Tests and measurements – Part 13-2: Mechanical operation tests – Test 13b: Insertion and withdrawal forces*

IEC 60512-15-6, *Connectors for electronic equipment – Tests and measurements – Part 15-6: Connector tests (mechanical) – Test 15f: Effectiveness of connector coupling devices*

IEC 60512-28-100, *Connectors for electrical and electronic equipment – Tests and measurements – Part 28-100: Signal integrity tests up to 2 000 MHz – Tests 28a to 28g*

IEC 60664-1, *Insulation coordination for equipment within low-voltage supply systems – Part 1: Principles, requirements and tests*

IEC TR 63040, *Guidance on clearances and creepage distances in particular for distances equal to or less than 2 mm – Test results of research on influencing parameters*

IEC 63171:2021, *Connectors for electrical and electronic equipment – Shielded or unshielded free and fixed connectors for balanced single-pair data transmission with current carrying capacity – General requirements and tests*

ISO/IEC 11801-1, *Information technology – Generic cabling for customer premises – Part 1: General requirements*