



ISO/IEC 14776-415

Edition 1.0 2019-12

# INTERNATIONAL STANDARD



---

**Information technology – Small Computer System Interface (SCSI) –  
Part 415: SCSI Architecture Model - 5 (SAM-5)**

INTERNATIONAL  
ELECTROTECHNICAL  
COMMISSION

---

ICS 35.200

ISBN 978-2-8322-7662-4

**Warning! Make sure that you obtained this publication from an authorized distributor.**



**ISO/IEC  
14776-415**

---

**Information technology -  
Small Computer System Interface (SCSI) -  
Part 415: SCSI Architecture Model - 5 (SAM-5)**

---

Reference number  
ISO/IEC 14776-415:2019 © ISO/IEC 2019

1 Scope .....	15
2 Normative references .....	15
3 Terms, definitions, symbols, abbreviations, and conventions .....	15
3.1 Terms and definitions .....	15
3.2 Symbols and Abbreviations .....	30
3.2.1 Abbreviations .....	30
3.2.2 Units .....	30
3.3 Keywords .....	30
3.4 Editorial conventions .....	32
3.5 Numeric and character conventions .....	33
3.5.1 Numeric conventions .....	33
3.5.2 Byte encoded character strings conventions .....	34
3.6 UML notation conventions .....	34
3.6.1 Notation conventions overview .....	34
3.6.2 Constraint and note conventions .....	34
3.6.3 Class diagram conventions .....	35
3.6.4 Object diagram conventions .....	40
3.7 State machine conventions .....	42
3.7.1 State machine conventions overview .....	42
3.7.2 Transitions .....	43
3.7.3 Messages, requests, indications, confirmations, responses, and event notifications .....	43
3.7.4 State machine counters, timers, and variables .....	44
3.8 Bit and byte ordering .....	44
3.9 Notation for procedure calls .....	46
4 SCSI architecture model .....	47
4.1 Overview .....	47
4.2 Compliance requirements .....	47
4.3 The SCSI distributed service model .....	49
4.4 The SCSI client-server model .....	50
4.4.1 SCSI client-server model overview .....	50
4.4.2 Synchronizing client and server changes .....	51
4.4.3 Server request/response ordering .....	51
4.5 The SCSI structural model .....	52
4.6 SCSI classes .....	53
4.6.1 SCSI classes overview .....	53
4.6.2 SCSI Domain class .....	54
4.6.3 Service Delivery Subsystem class .....	55
4.6.4 SCSI Device class .....	55
4.6.4.1 SCSI Device class overview .....	55
4.6.4.2 SCSI Device Name attribute .....	56
4.6.5 SCSI Port class .....	57
4.6.5.1 SCSI Port class overview .....	57
4.6.5.2 Relative Port Identifier attribute .....	58
4.6.6 SCSI Target Port class .....	58
4.6.6.1 SCSI Target Port class overview .....	58
4.6.6.2 Target Port Identifier attribute .....	58
4.6.6.3 Target Port Name attribute .....	59
4.6.6.4 Send Data-In operation .....	59
4.6.6.5 Receive Data-Out operation .....	59
4.6.6.6 Terminate Data Transfer operation .....	59
4.6.6.7 Send Command Complete operation .....	59
4.6.6.8 Task Management Function Executed operation .....	59
4.6.7 Task Router class .....	59
4.6.7.1 Task Router class overview .....	59
4.6.7.2 Route Command operation .....	60

4.6.7.3 Route Task Management Function operation .....	60
4.6.7.4 Reroute Conglomerate Command operation .....	61
4.6.7.5 Reroute Conglomerate Task Management Functions operation.....	61
4.6.7.6 Stop Conglomerate Task Management Functions Rerouting operation .....	62
4.6.8 SCSI Initiator Port class .....	62
4.6.8.1 SCSI Initiator Port class overview .....	62
4.6.8.2 Initiator Port Identifier attribute .....	63
4.6.8.3 Initiator Port Name attribute .....	63
4.6.8.4 Send SCSI Command operation .....	63
4.6.8.5 Send Task Management Request operation.....	63
4.6.8.6 Get Initiator Port Identifier operation .....	63
4.6.8.7 Get Initiator Port Name operation.....	63
4.6.9 SCSI Target Device class .....	64
4.6.10 Logical Unit Conglomerate class .....	65
4.6.11 Level 1 Hierarchical Logical Unit class .....	66
4.6.12 Level 2 Hierarchical Logical Unit class .....	67
4.6.13 Level 3 Hierarchical Logical Unit class .....	68
4.6.14 Level 4 Hierarchical Logical Unit class .....	68
4.6.15 Hierarchical Logical Unit class .....	68
4.6.16 Management Logical Unit class .....	68
4.6.17 Well Known Logical Unit class .....	69
4.6.18 Logical Unit class .....	69
4.6.18.1 Logical Unit class overview .....	69
4.6.18.2 LUN attribute .....	71
4.6.18.3 Logical Unit Name attribute .....	71
4.6.18.4 Dependent Logical Unit attribute .....	72
4.6.18.5 Device Type attribute .....	72
4.6.19 Device Server class .....	72
4.6.19.1 Device Server class overview .....	72
4.6.19.2 Data-In Delivered operation .....	72
4.6.19.3 Data-Out Received operation.....	72
4.6.19.4 Data Transfer Terminated operation .....	73
4.6.20 Copy Manager class .....	73
4.6.20.1 Copy Manager class overview .....	73
4.6.20.2 Create ROD Token operation.....	73
4.6.20.3 Process ROD Token operation .....	73
4.6.21 Task Manager class.....	73
4.6.21.1 Task Manager class overview .....	73
4.6.21.2 SCSI Command Received operation .....	73
4.6.21.3 Task Management Request Received operation .....	74
4.6.21.4 Data Transfer Terminated operation .....	74
4.6.21.5 Nexus Loss operation.....	74
4.6.21.6 Transport Reset operation.....	74
4.6.21.7 Power Loss Expected operation.....	74
4.6.22 Task Set class.....	74
4.6.23 Command class .....	74
4.6.23.1 Command class overview .....	74
4.6.23.2 I_T_L Nexus attribute .....	74
4.6.23.3 Command Identifier attribute .....	75
4.6.23.4 Task Attribute attribute .....	75
4.6.23.5 CDB attribute.....	75
4.6.23.6 CRN attribute.....	75
4.6.23.7 Command Priority attribute.....	75
4.6.23.8 Status attribute .....	75
4.6.23.9 Sense Data attribute.....	75
4.6.23.10 Sense Data Length attribute.....	75
4.6.23.11 Service Response attribute .....	75
4.6.23.12 Status Qualifier attribute.....	75

4.6.23.13 First Burst Enabled attribute .....	75
4.6.23.14 Device Server Buffer attribute .....	75
4.6.23.15 Application Client Buffer Offset attribute .....	76
4.6.23.16 Request Byte Count attribute .....	76
4.6.23.17 Delivery Result attribute .....	76
4.6.24 Task Management Function class .....	76
4.6.24.1 Task Management Function class overview .....	76
4.6.24.2 Function Identifier attribute .....	76
4.6.24.3 I_T Nexus attribute .....	76
4.6.24.4 I_T_L Nexus attribute .....	76
4.6.24.5 Command Identifier attribute .....	76
4.6.24.6 Service Response attribute .....	76
4.6.24.7 Additional Response Information attribute .....	77
4.6.25 Administrative Logical Unit class .....	77
4.6.25.1 Administrative Logical Unit class overview .....	77
4.6.25.2 Rerouted commands and task management functions .....	77
4.6.25.2.1 Overview .....	77
4.6.25.2.2 Commands rerouted due to incorrect logical unit selection .....	77
4.6.25.2.3 Command rerouting in response to an administrative logical unit request .....	77
4.6.25.2.4 Task management function rerouting in response to an administrative logical unit request .....	78
4.6.26 Subsidiary Logical Unit class .....	79
4.6.26.1 Subsidiary Logical Unit class overview .....	79
4.6.26.2 Binding attribute .....	79
4.6.26.3 Host Bind Identifier attribute .....	79
4.6.27 SCSI Initiator Device class .....	80
4.6.28 Application Client class .....	81
4.6.28.1 Application Client class overview .....	81
4.6.28.2 Command Complete Received operation .....	81
4.6.28.3 Received Task Management Function Executed operation .....	81
4.6.28.4 Nexus Loss operation .....	82
4.6.28.5 Transport Reset operation .....	82
4.6.29 Application Client Task Management Function class .....	82
4.6.29.1 Application Client Task Management Function class overview .....	82
4.6.29.2 Function Identifier attribute .....	82
4.6.29.3 I_T Nexus attribute .....	82
4.6.29.4 I_T_L Nexus attribute .....	82
4.6.29.5 Command Identifier attribute .....	82
4.6.29.6 Service Response attribute .....	82
4.6.29.7 Additional Response Information attribute .....	82
4.6.30 Application Client Task Set class .....	83
4.6.31 Application Client Command class .....	83
4.6.31.1 Application Client Command class overview .....	83
4.6.31.2 I_T_L Nexus attribute .....	83
4.6.31.3 Command Identifier attribute .....	83
4.6.31.4 CDB attribute .....	84
4.6.31.5 Task Attribute attribute .....	84
4.6.31.6 Status attribute .....	84
4.6.31.7 Service Response attribute .....	84
4.6.31.8 Data-In Buffer attribute .....	84
4.6.31.9 Data-In Buffer Size attribute .....	84
4.6.31.10 Data-Out Buffer attribute .....	85
4.6.31.11 Data-Out Buffer Size attribute .....	85
4.6.31.12 CRN attribute .....	85
4.6.31.13 Command Priority attribute .....	85
4.6.31.14 First Burst Enabled attribute .....	85
4.6.31.15 Sense Data attribute .....	85
4.6.31.16 Sense Data Length attribute .....	85
4.6.31.17 Status Qualifier attribute .....	85

4.6.32 Discovery class .....	85
4.6.32.1 Discovery class overview .....	85
4.6.32.2 I_T Nexus attribute .....	86
4.6.32.3 I_T_L Nexus attribute .....	86
4.6.32.4 Return I_T Nexus operation .....	86
4.6.32.5 Return I_T_L Nexus operation .....	86
4.7 Logical unit number (LUN).....	86
4.7.1 Overview .....	86
4.7.2 Logical unit representation format.....	87
4.7.3 LUNs overview.....	87
4.7.4 Minimum LUN addressing requirements.....	87
4.7.5 Single level LUN structure .....	88
4.7.6 Complex LUN structures.....	91
4.7.6.1 Complex LUN structures overview .....	91
4.7.6.2 Logical unit conglomerate LUN structure .....	91
4.7.6.3 Hierarchical LUN structure .....	92
4.7.7 Addressing methods .....	95
4.7.7.1 Simple logical unit addressing method.....	95
4.7.7.2 Peripheral device addressing method.....	95
4.7.7.3 Flat space addressing method .....	97
4.7.7.4 Logical unit addressing method.....	98
4.7.7.5 Extended logical unit addressing.....	99
4.7.7.5.1 Extended logical unit addressing formats .....	99
4.7.7.5.2 Well known logical unit addressing.....	102
4.7.7.5.3 Extended flat space addressing method.....	103
4.7.7.5.4 Long extended flat space addressing method.....	103
4.7.7.5.5 Logical unit not specified addressing.....	104
4.8 SCSI ports .....	104
4.8.1 SCSI port configurations.....	104
4.8.2 SCSI devices with multiple SCSI ports .....	105
4.8.3 SCSI target device with multiple SCSI ports structure.....	106
4.8.4 SCSI initiator device with multiple SCSI initiator ports structure.....	107
4.8.5 SCSI device with multiple SCSI ports structure .....	107
4.8.6 SCSI initiator device view of SCSI target device with multiple SCSI target ports.....	108
4.8.7 SCSI target device view of a SCSI initiator device with multiple SCSI initiator ports.....	111
4.9 The SCSI model for distributed communications .....	112
5 SCSI command model .....	117
5.1 The Execute Command procedure call .....	117
5.2 Command descriptor block (CDB).....	118
5.3 Status .....	120
5.3.1 Status codes .....	120
5.3.2 Status qualifier .....	121
5.3.3 Status precedence .....	124
5.4 SCSI transport protocol services for SCSI commands.....	124
5.4.1 SCSI transport protocol services for SCSI commands overview .....	124
5.4.2 Command and status SCSI transport protocol services .....	125
5.4.2.1 Command and status SCSI transport protocol services overview .....	125
5.4.2.2 Send SCSI Command SCSI transport protocol service request .....	125
5.4.2.3 SCSI Command Received SCSI transport protocol service indication .....	125
5.4.2.4 Send Command Complete SCSI transport protocol service response .....	126
5.4.2.5 Command Complete Received SCSI transport protocol service confirmation.....	126
5.4.3 Data transfer SCSI transport protocol services.....	127
5.4.3.1 Overview .....	127
5.4.3.2 Data-In delivery service.....	129
5.4.3.2.1 Send Data-In SCSI transport protocol service request.....	129
5.4.3.2.2 Data-In Delivered SCSI transport protocol service confirmation .....	129
5.4.3.3 Data-Out delivery service .....	129

5.4.3.3.1 Receive Data-Out SCSI transport protocol service request .....	129
5.4.3.3.2 Data-Out Received SCSI transport protocol service confirmation .....	130
5.4.3.4 Terminate Data Transfer service .....	130
5.4.3.4.1 Terminate Data Transfer SCSI transport protocol service request.....	130
5.4.3.4.2 Data Transfer Terminated SCSI transport protocol service confirmation .....	131
5.5 Command lifetime.....	131
5.6 Aborting commands.....	132
5.7 Command processing example .....	139
5.8 Commands that complete with CHECK CONDITION status.....	140
5.8.1 Overview .....	140
5.8.2 Handling commands when ACA is not in effect.....	140
5.8.3 Aborting commands terminated with a CHECK CONDITION status without establishing an ACA	140
5.9 Auto contingent allegiance (ACA).....	141
5.9.1 ACA overview .....	141
5.9.2 Establishing an ACA .....	141
5.9.3 Handling new commands received on the faulted I_T nexus when ACA is in effect .....	142
5.9.4 Handling new commands received on non-faulted I_T nexuses when ACA is in effect .....	142
5.9.4.1 Command processing that is permitted for commands received on a non-faulted	
I_T nexuses during ACA .....	142
5.9.4.2 Handling new commands received on non-faulted I_T nexuses when ACA is in effect.....	142
5.9.5 Clearing an ACA condition.....	143
5.10 Overlapped commands .....	144
5.11 Incorrect logical unit numbers for commands.....	145
5.12 Task attribute exception conditions .....	145
5.13 Sense data .....	146
5.13.1 Command terminated sense data or polled sense data .....	146
5.13.2 Command completed sense data .....	146
5.14 Unit attention conditions .....	146
5.14.1 Unit attention conditions that are not coalesced .....	146
5.14.2 Coalescing unit attention conditions .....	149
6 SCSI events and event notification model .....	151
6.1 SCSI events overview .....	151
6.2 Establishing a unit attention condition subsequent to detection of an event .....	153
6.3 Conditions resulting from SCSI events.....	154
6.3.1 Power on.....	154
6.3.2 Hard reset .....	155
6.3.3 Logical unit reset.....	155
6.3.4 I_T nexus loss.....	156
6.3.5 Power loss expected.....	156
6.4 SCSI transport protocol services for event notification.....	157
6.4.1 SCSI transport protocol service for event notification overview.....	157
6.4.2 Nexus Loss SCSI transport protocol service indication .....	157
6.4.3 Transport Reset SCSI transport protocol service indication .....	157
6.4.4 Power Loss Expected SCSI transport protocol service indication .....	157
7 Task management functions.....	159
7.1 Task management function procedure calls.....	159
7.2 ABORT TASK.....	160
7.3 ABORT TASK SET.....	161
7.4 CLEAR ACA .....	161
7.5 CLEAR TASK SET .....	162
7.6 I_T NEXUS RESET .....	162
7.7 LOGICAL UNIT RESET.....	163
7.8 QUERY TASK .....	163
7.9 QUERY TASK SET .....	164
7.10 QUERY ASYNCHRONOUS EVENT .....	164
7.11 Task management function lifetime.....	166

7.12 SCSI transport protocol services for task management functions.....	166
7.12.1 SCSI transport protocol services for task management functions overview .....	166
7.12.2 Send Task Management Request SCSI transport protocol service request.....	167
7.12.3 Task Management Request Received SCSI transport protocol service indication.....	167
7.12.4 Task Management Function Executed SCSI transport protocol service response.....	167
7.12.5 Received Task Management Function Executed SCSI transport protocol service confirmation ..	168
7.13 Task management function example.....	169
8 Task set management.....	171
8.1 Task set management overview.....	171
8.2 Implicit head of queue .....	171
8.3 Command management model .....	171
8.4 Task attributes .....	172
8.4.1 Overview .....	172
8.4.2 Commands having the SIMPLE task attribute.....	172
8.4.3 Commands having the ORDERED task attribute .....	172
8.4.4 Commands having the HEAD OF QUEUE task attribute .....	172
8.4.5 Commands having the ACA task attribute .....	172
8.5 Command priority .....	173
8.6 Command duration limit.....	173
8.6.1 Command duration limit overview.....	173
8.6.2 Command duration scheduling .....	174
8.7 LU (logical unit) state machines .....	174
8.7.1 LU state machine overview.....	174
8.7.2 LU_TM (task manager) state machine.....	176
8.7.2.1 LU_TM state machine overview .....	176
8.7.2.2 LU_TM command processing .....	177
8.7.2.3 LU_TM task management function processing .....	179
8.7.2.4 LU_TM event processing .....	180
8.7.2.5 LU_TM terminated command processing .....	182
8.7.2.5.1 LU_TM ACA not established .....	182
8.7.2.5.2 LU_TM ACA established .....	183
8.7.3 LU_DS (device server) state machine .....	185
8.7.3.1 LU_DS state machine overview .....	185
8.7.3.2 LU_DS command processing.....	185
8.7.3.3 LU_DS background processing.....	188
8.7.4 LU_CS (command state) state machine .....	189
8.7.4.1 LU_CS state machine overview .....	189
8.7.4.2 LU_CS1:Idle state .....	189
8.7.4.2.1 LU_CS1:Idle state description .....	189
8.7.4.2.2 Transition LU_CS1:Idle to LU_CS2:Dormant .....	189
8.7.4.2.3 Transition LU_CS1:Idle to LU_CS3:Enabled.....	189
8.7.4.3 LU_CS2:Dormant state .....	190
8.7.4.3.1 LU_CS2:Dormant state description .....	190
8.7.4.3.2 Transition LU_CS2:Dormant to LU_CS3:Enabled .....	190
8.7.4.3.3 Transition LU_CS2:Dormant to LU_CS1:Idle .....	190
8.7.4.4 LU_CS3:Enabled state.....	190
8.7.4.4.1 LU_CS1:Enabled state description.....	190
8.7.4.4.2 Transition LU_CS3:Enabled to LU_CS1:Idle.....	191
8.7.4.4.3 Transition LU_CS3:Enabled to LU_CS4:Blocked.....	191
8.7.4.4.4 Transition LU_CS3:Enabled to LU_CS5:Completed .....	191
8.7.4.5 LU_CS4:Blocked state .....	191
8.7.4.5.1 LU_CS4:Blocked state description .....	191
8.7.4.5.2 Transition LU_CS4:Blocked to LU_CS3:Enabled.....	191
8.7.4.5.3 Transition LU_CS4:Blocked to LU_CS5:Completed.....	192
8.7.4.6 LU_CS5:Completed state.....	192
8.7.4.6.1 LU_CS5:Completed state description.....	192
8.7.4.6.2 Transition LU_CS5:Completed to LU_CS1:Idle.....	192



8.8 Task set management examples.....	192
8.8.1 Overview .....	192
8.8.2 Commands having the HEAD OF QUEUE task attribute .....	193
8.8.3 Commands having the ORDERED task attribute .....	195
8.8.4 Commands having the ACA task attribute .....	196
Annex A (informative) Identifiers and names for objects.....	197
A.1 Identifiers and names overview.....	197
A.2 Identifiers and names.....	198
Annex B (informative) SCSI Initiator Port attributes and SCSI Target Port attributes supported by SCSI transport protocols.....	203
Annex C (informative) Terminology mapping.....	207
C.1 Terminology mapping to SAM-3 .....	207
C.2 Terminology mapping to SAM-4 .....	207
Annex D (informative) SCSI transport protocol acronyms .....	208
Bibliography .....	209

Table 1 — Numbering conventions.....	33
Table 2 — Constraint and note notation .....	34
Table 3 — Class diagram notation for classes.....	35
Table 4 — Multiplicity notation .....	36
Table 5 — Class diagram notation for associations.....	36
Table 6 — Class diagram notation for aggregations.....	37
Table 7 — Class diagram notation for generalizations .....	38
Table 8 — Class diagram notation for dependency.....	39
Table 9 — Object diagram notation for objects.....	40
Table 10 — Object diagram notation for link.....	40
Table 11 — Example of ordering of bits and bytes within a data dword .....	45
Table 12 — Example of ordering of bits and bytes within a data dword element .....	45
Table 13 — Command identifier scopes .....	84
Table 14 — Single level LUN structure using peripheral device addressing method .....	88
Table 15 — Single level LUN structure using flat space addressing method .....	88
Table 16 — Single level LUN structure using extended flat space addressing method.....	89
Table 17 — Single level LUN structure using long extended flat space addressing method.....	89
Table 18 — Complex LUN structures .....	91
Table 19 — Logical unit conglomerate LUN structure .....	91
Table 20 — Format of addressing fields in the logical unit conglomerate LUN structure .....	92
Table 21 — ADDRESS METHOD field in the logical unit conglomerate LUN structure.....	92
Table 22 — Hierarchical LUN structure adjustments.....	93
Table 23 — Hierarchical LUN structure .....	94
Table 24 — Format of addressing fields in the hierarchical LUN structure.....	94
Table 25 — ADDRESS METHOD field in the hierarchical LUN structure .....	95
Table 26 — Simple logical unit addressing format.....	95
Table 27 — Peripheral device addressing format.....	96
Table 28 — Flat space addressing format .....	97
Table 29 — Logical unit addressing format.....	98
Table 30 — Extended logical unit addressing format.....	100
Table 31 — LENGTH field and related sizes .....	100
Table 32 — Two byte extended logical unit addressing format .....	101
Table 33 — Four byte extended logical unit addressing format.....	101
Table 34 — Six byte extended logical unit addressing format .....	101
Table 35 — Eight byte extended logical unit addressing format.....	101
Table 36 — Logical unit extended addressing .....	102
Table 37 — Well known logical unit extended addressing format.....	103
Table 38 — Extended flat space addressing format .....	103
Table 39 — Long extended flat space addressing format.....	104
Table 40 — Logical unit not specified extended addressing format.....	104
Table 41 — CONTROL byte.....	119
Table 42 — Status codes.....	120
Table 43 — Status qualifier format.....	121
Table 44 — SCOPE field.....	122
Table 45 — QUALIFIER field.....	123
Table 46 — SCSI device conditions that abort commands in a SCSI initiator device.....	133
Table 47 — SCSI device conditions that abort commands in a SCSI target device .....	134
Table 48 — Task management functions that abort commands.....	135
Table 49 — Command related conditions that abort commands .....	137
Table 50 — Command handling when ACA is not in effect .....	140
Table 51 — Handling for new commands received on a faulted I_T nexus during ACA .....	142
Table 52 — Handling for new commands received on non-faulted I_T nexuses during ACA .....	143
Table 53 — Unit attention condition precedence level.....	147
Table 54 — Unit attention additional sense codes for events detected by SCSI target devices.....	154
Table 55 — Task Management Functions .....	159
Table 56 — Additional Response Information argument for QUERY TASK .....	164
Table 57 — Additional Response Information argument for QUERY ASYNCHRONOUS EVENT.....	165
Table 58 — UADE DEPTH field .....	165

Table 59 — Task attributes .....	172
Table 60 — Command priority .....	173
Table 61 — Aborting commands already in a task set if an ACA is not established.....	182
Table 62 — Handling of commands already in a task set if an ACA is established.....	183
Table 63 — Task attribute and state indications in examples.....	193
Table 64 — Dormant command blocking boundary requirements.....	195
Table A.1 — Identifier attribute size and support requirements .....	198
Table A.2 — Name attribute size and support requirements .....	198
Table A.3 — Identifier attribute size for each SCSI transport protocol.....	199
Table A.4 — Identifier attribute format for each SCSI transport protocol.....	200
Table A.5 — Name attribute size for each SCSI transport protocol.....	201
Table A.6 — Name attribute format for each SCSI transport protocol.....	202
Table B.1 — SCSI Initiator Port attributes and SCSI Target Port attributes that are supported by ADT-2, FCP-4, and iSCSI SCSI transport protocols .....	204
Table B.2 — SCSI Initiator Port attributes and SCSI Target Port attributes that are supported by SOP, SAS SSP, SRP, and UAS SCSI transport protocols.....	206
Table C.1 — Terminology mapping to SAM-3 .....	207
Table C.2 — Terminology mapping to SAM-4 .....	207

Figure 1 — SCSI document structure .....	14
Figure 2 — Examples of association relationships in class diagrams.....	37
Figure 3 — Examples of aggregation relationships in class diagrams.....	38
Figure 4 — Example of generalization relationships in class diagrams.....	39
Figure 5 — Example of a dependency relationship in class diagrams.....	39
Figure 6 — Examples of link relationships for object diagrams .....	41
Figure 7 — State machine conventions .....	42
Figure 8 — Example description for one state machine .....	43
Figure 9 — Requirements precedence .....	48
Figure 10 — Client-server model .....	49
Figure 11 — SCSI client-server model.....	50
Figure 12 — SCSI I/O system and SCSI domain model.....	52
Figure 13 — SCSI Domain class diagram overview .....	53
Figure 14 — SCSI Domain class diagram .....	54
Figure 15 — SCSI Domain object diagram .....	54
Figure 16 — SCSI Device class diagram.....	55
Figure 17 — SCSI Port class diagram .....	57
Figure 18 — SCSI Target Device class diagram .....	64
Figure 19 — Level 1 Hierarchical Logical Unit class.....	66
Figure 20 — Logical Unit class diagram .....	70
Figure 21 — SCSI Initiator Device class diagram.....	80
Figure 22 — Hierarchical LUN structure adjustments.....	93
Figure 23 — Logical unit selection using the peripheral device addressing format .....	97
Figure 24 — Logical unit selection using the logical unit addressing format.....	99
Figure 25 — SCSI device functional models.....	105
Figure 26 — SCSI device with multiple SCSI target ports structure model .....	106
Figure 27 — SCSI initiator device with multiple SCSI initiator ports structure model .....	107
Figure 28 — SCSI device with multiple SCSI ports structure model.....	108
Figure 29 — SCSI target device configured in a single SCSI domain .....	109
Figure 30 — SCSI target device configured in multiple SCSI domains .....	110
Figure 31 — SCSI target device and SCSI initiator device configured in a single SCSI domain.....	111
Figure 32 — Protocol service reference model.....	112
Figure 33 — SCSI transport protocol service mode.....	113
Figure 34 — Request-Response SAL transaction and related STPL services .....	114
Figure 35 — SCSI transport protocol service model for data transfers.....	114
Figure 36 — Device server data transfer transaction and related STPL services .....	115
Figure 37 — SCSI transport protocol service model for Terminate Data Transfer .....	115
Figure 38 — Device server Terminate Data Transfer transaction and related STPL services .....	116
Figure 39 — Model for Data-In and Data-Out data transfers .....	127
Figure 40 — Command processing events.....	139
Figure 41 — Events and event notifications for SCSI target devices.....	152
Figure 42 — Events and event notifications for SCSI initiator devices .....	153
Figure 43 — Task management processing events.....	169
Figure 44 — LU (logical unit) state machines (part 1).....	175
Figure 45 — LU (logical unit) state machines (part 2).....	176
Figure 46 — Commands having the HEAD OF QUEUE task attribute and blocking boundaries (example 1)...	193
Figure 47 — Commands having the HEAD OF QUEUE task attribute and blocking boundaries (example 2)...	194
Figure 48 — Commands having ORDERED task attributes and blocking boundaries.....	195
Figure 49 — Commands having ACA task attributes example .....	196

## INFORMATION TECHNOLOGY – SMALL COMPUTER SYSTEM INTERFACE (SCSI) –

### Part 415: SCSI Architecture Model - 5 (SAM-5)

#### FOREWORD

- 1) ISO (the International Organization for Standardization) and IEC (the International Electrotechnical Commission) form the specialized system for worldwide standardization. National bodies that are members of ISO or IEC participate in the development of International Standards through technical committees established by the respective organization to deal with particular fields of technical activity. ISO and IEC technical committees collaborate in fields of mutual interest. Other international organizations, governmental and non-governmental, in liaison with ISO and IEC, also take part in the work. In the field of information technology, ISO and IEC have established a joint technical committee, ISO/IEC JTC 1.
- 2) The formal decisions or agreements of IEC and ISO on technical matters express, as nearly as possible, an international consensus of opinion on the relevant subjects since each technical committee has representation from all interested IEC National Committees and ISO member bodies.
- 3) IEC, ISO and ISO/IEC publications have the form of recommendations for international use and are accepted by IEC National Committees and ISO member bodies in that sense. While all reasonable efforts are made to ensure that the technical content of IEC, ISO and ISO/IEC publications is accurate, IEC or ISO cannot be held responsible for the way in which they are used or for any misinterpretation by any end user.
- 4) In order to promote international uniformity, IEC National Committees and ISO member bodies undertake to apply IEC, ISO and ISO/IEC publications transparently to the maximum extent possible in their national and regional publications. Any divergence between any ISO, IEC or ISO/IEC publication and the corresponding national or regional publication should be clearly indicated in the latter.
- 5) ISO and IEC do not provide any attestation of conformity. Independent certification bodies provide conformity assessment services and, in some areas, access to IEC marks of conformity. ISO or IEC are not responsible for any services carried out by independent certification bodies.
- 6) All users should ensure that they have the latest edition of this publication.
- 7) No liability shall attach to IEC or ISO or its directors, employees, servants or agents including individual experts and members of their technical committees and IEC National Committees or ISO member bodies for any personal injury, property damage or other damage of any nature whatsoever, whether direct or indirect, or for costs (including legal fees) and expenses arising out of the publication of, use of, or reliance upon, this ISO/IEC publication or any other IEC, ISO or ISO/IEC publications.
- 8) Attention is drawn to the normative references cited in this publication. Use of the referenced publications is indispensable for the correct application of this publication.
- 9) Attention is drawn to the possibility that some of the elements of this ISO/IEC publication may be the subject of patent rights. ISO and IEC shall not be held responsible for identifying any or all such patent rights.

International Standard ISO/IEC 14776-415 was prepared by subcommittee 25: Interconnection of information technology equipment, of ISO/IEC joint technical committee 1: Information technology.

The list of all currently available parts of the ISO/IEC 14776 series, under the general title *Information technology – Small computer system interface (SCSI)*, can be found on the ISO and IEC web sites.

The text of this document is based on the following documents:

CDV	Report on voting
JTC1-SC25/2828/CDV	JTC1-SC25/2862/RVC

Full information on the voting for the approval of this document can be found in the report on voting indicated in the above table.

This publication has been drafted in accordance with the ISO/IEC Directives, Part 2, except as described in 3.4 and 3.5.

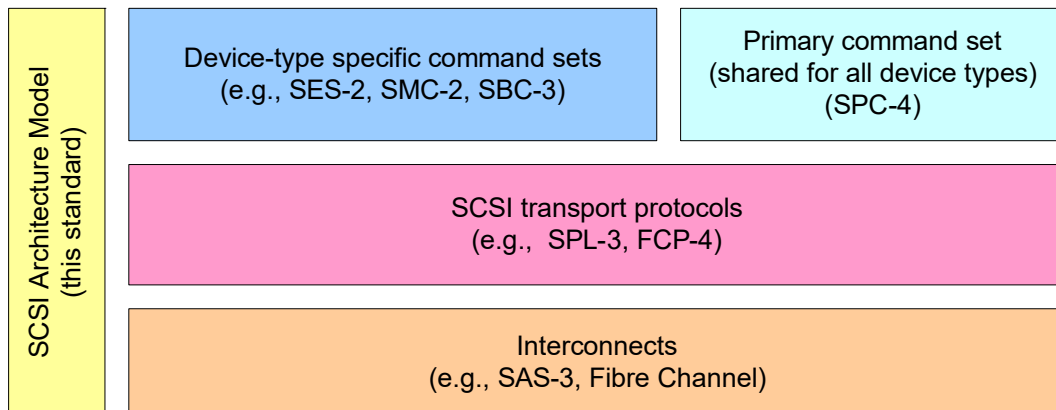
A bilingual version of this publication may be issued at a later date.

**IMPORTANT - The 'colour inside' logo on the cover page of this publication indicates that it contains colours which are considered to be useful for the correct understanding of its contents. Users should therefore print this document using a colour printer.**

## INTRODUCTION

The purpose of this document is to provide a basis for the coordination of SCSI standards development and to define requirements, common to all SCSI technologies and implementations, that are essential for compatibility with host SCSI application software and device-resident firmware across all SCSI transport protocols. These requirements are defined through a reference model that specifies the behavior and abstract structure that is generic to all SCSI I/O system implementations.

Figure 1 shows the relationship of this document to the other standards and related projects in ISO/IEC 14776 (all parts) as of the publication of this document.



**Figure 1 — SCSI document structure**

The SCSI document structure in figure 1 is intended to show the general applicability of the documents to one another. Figure 1 is not intended to imply any hierarchy, protocol stack, or system architecture relationship.

The functional areas identified in figure 1 characterize the scope of standards within a group as follows:

**SCSI Architecture Model:** Defines the SCSI systems model, the functional partitioning of the SCSI standard set and requirements applicable to all SCSI implementations and implementation standards.

**Device-Type Specific Command Sets:** Implementation standards that define specific device types including a device model for each device type. These standards specify the required commands and behaviors that are specific to a given device type and prescribe the requirements to be followed by a SCSI initiator device when sending commands to a SCSI target device having the specific device type. The commands and behaviors for a specific device type may include by reference commands and behaviors that are defined by other command sets.

**Shared Command Set:** An implementation standard that defines a model for all SCSI device types. This document specifies the required commands and behavior that is common to all SCSI devices, regardless of device type, and prescribes the requirements to be followed by a SCSI initiator device when sending commands to any SCSI target device.

**SCSI Transport Protocols:** Implementation standards that define the requirements for exchanging information so that different SCSI devices are capable of communicating.

**Interconnects:** Implementation standards that define the communications mechanism employed by the SCSI transport protocols. These standards may describe the electrical and signaling requirements essential for SCSI devices to interoperate over a given interconnect. Interconnect standards may allow the interconnection of devices other than SCSI devices in ways that are outside the scope of this document.

The term SCSI is used to refer to ISO/IEC 14776 (all parts).

# INFORMATION TECHNOLOGY - SMALL COMPUTER SYSTEM INTERFACE (SCSI) -

## Part 415: SCSI Architecture Model - 5 (SAM-5)

### 1 Scope

The set of Small Computer System Interface (SCSI) standards consists of this document and the SCSI implementation standards described in 4.2. This document defines a reference model that specifies common behaviors for SCSI devices, and an abstract structure that is generic to all SCSI I/O system implementations.

The set of SCSI standards specifies the interfaces, functions, and operations necessary to ensure interoperability between conforming SCSI implementations. This document is a functional description. Conforming implementations employ any design technique that does not violate interoperability.

The following concepts from previous versions of the SAM standard are made obsolete by this version:

- a) support for the SPI-5 SCSI transport protocol;
- b) Contingent Allegiance;
- c) the TARGET RESET task management function;
- d) basic task management model;
- e) untagged tasks; and
- f) linked command function.

### 2 Normative references

The following documents are referred to in the text in such a way that some or all of their content constitutes requirements of this document. For dated references, only the edition cited applies. For undated references, the latest edition of the referenced document (including any amendments) applies.

ISO/IEC 14776-454, *Information technology - Small computer system interface (SCSI) - Part 454: SCSI Primary Commands - 4 (SPC-4)*

INCITS 497-2012, *Information Technology Automation/Drive Interface Commands - 3 (ADC-3)*